



Chipsmall Limited consists of a professional team with an average of over 10 year of expertise in the distribution of electronic components. Based in Hongkong, we have already established firm and mutual-benefit business relationships with customers from,Europe,America and south Asia,supplying obsolete and hard-to-find components to meet their specific needs.

With the principle of “Quality Parts,Customers Priority,Honest Operation,and Considerate Service”,our business mainly focus on the distribution of electronic components. Line cards we deal with include Microchip,ALPS,ROHM,Xilinx,Pulse,ON,Everlight and Freescale. Main products comprise IC,Modules,Potentiometer,IC Socket,Relay,Connector.Our parts cover such applications as commercial,industrial, and automotives areas.

We are looking forward to setting up business relationship with you and hope to provide you with the best service and solution. Let us make a better world for our industry!



## Contact us

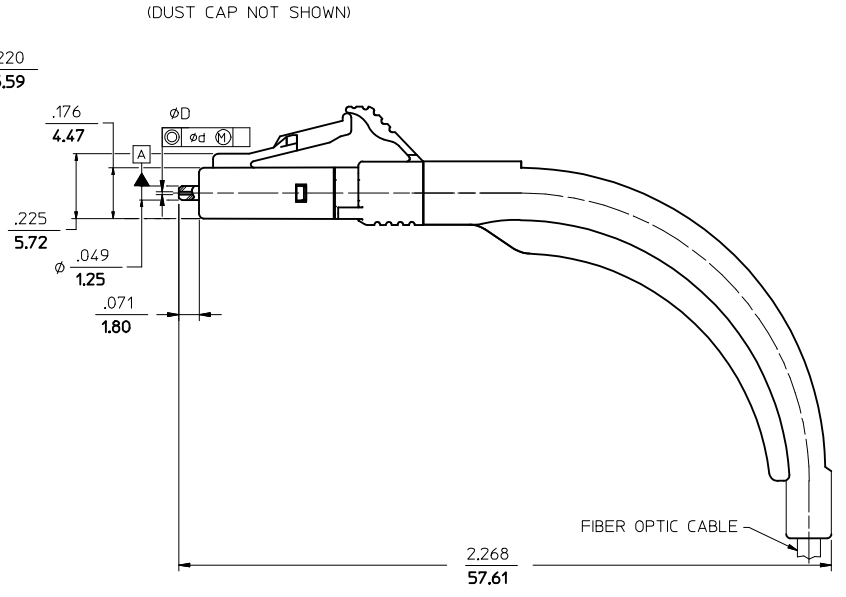
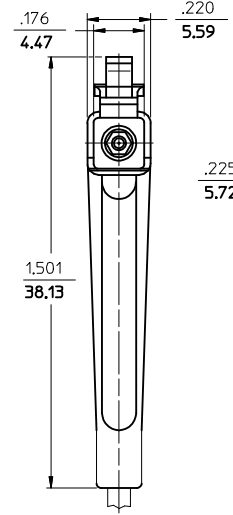
Tel: +86-755-8981 8866 Fax: +86-755-8427 6832

Email & Skype: info@chipsmall.com Web: www.chipsmall.com

Address: A1208, Overseas Decoration Building, #122 Zhenhua RD., Futian, Shenzhen, China



CONNECTOR P/N	ØD (Hm)	Ød (Hm)	CONNECTOR BODY COLOR	BOOT COLOR	CABLE Ø (mm)	CABLE TYPE
106024-2400	125.50 $^{+0.50}_0$	1.0	BLUE	WHITE	1.6	SINGLE MODE
106024-2600					2.0	
106024-3400	127.00 $^{+2.00}_0$	3.0	BEIGE	WHITE	1.6	MULTIMODE
106024-3600				2.0		
106024-3610				BEIGE	2.0	
106024-4400	125.00 $^{+0.50}_0$	1.0	BLUE	WHITE	1.6	SINGLE MODE
106024-4600				2.0		
106024-5400	126.00 $^{+1.00}_0$	1.0	BLUE	WHITE	1.6	
106024-2610				BEIGE	2.0	
106024-5600				WHITE		
106024-5610				YELLOW		
106024-5700	RED					
106024-6400	125.25 $^{+0.50}_0$	1.0	BLUE	WHITE	1.6	
106024-6600					2.0	
106090-4150	125.10-125.50	0.5	BLUE	WHITE	1.6	
106090-4170					2.0	
106090-4180					1.6	
106090-4190	125.51-125.90	0.5	BLUE	WHITE	1.6	
106090-2940					2.0	
106090-2960	125.50 $^{+0.50}_0$	0.5	BLUE	WHITE	1.6	
106090-4140					2.0	
106090-4160	125.00 $^{+0.50}_0$	0.5	BLUE	WHITE	1.6	
106090-6140					2.0	
106090-6160					1.6	
106090-6170	125.25 $^{+0.50}_0$	0.5	BLUE	YELLOW	1.6	
106090-6145				WHITE	1.6	
106090-6165				2.0		
106090-6175	YELLOW	1.6				



<b>ENTER DESCRIPTION</b> EC NO: MF2013-0244 DRWNG: PEVZNER 2012/10/29 CHKD: [blank] APPR: IGJMIN 2012/10/31	<b>QUALITY SYMBOLS</b> =0 =0	<b>GENERAL TOLERANCES (UNLESS SPECIFIED)</b>		<b>DIMENSION STYLE</b> IN/MM	<b>SCALE</b> 4:1	<b>DESIGN UNITS</b> INCH	<b>THIRD ANGLE PROJECTION</b>		
		4 PLACES ± --- ± --- 3 PLACES ± --- ± --- 2 PLACES ± --- ± --- 1 PLACE ± --- ± --- 0 PLACE ± ±	mm INCH ± --- ± --- ± --- ± --- ± --- ± --- ± --- ± --- ± ±	DRAWN BY PGIBLIN	DATE 2005/09/02	<b>TITLE</b> LC CONNECTOR (90D BOOT)			
		DRAFT WHERE APPLICABLE MUST REMAIN WITHIN DIMENSIONS		APPROVED BY [blank]	DATE [blank]				
		<b>REV</b> B2	<b>DESCRIPTION</b> [blank]	MATERIAL NO. SEE TABLE	DOCUMENT NO. SD-1060BB-BBBB	SHEET NO. 1 OF 1			