



Chipsmall Limited consists of a professional team with an average of over 10 year of expertise in the distribution of electronic components. Based in Hongkong, we have already established firm and mutual-benefit business relationships with customers from,Europe,America and south Asia,supplying obsolete and hard-to-find components to meet their specific needs.

With the principle of “Quality Parts,Customers Priority,Honest Operation,and Considerate Service”,our business mainly focus on the distribution of electronic components. Line cards we deal with include Microchip,ALPS,ROHM,Xilinx,Pulse,ON,Everlight and Freescale. Main products comprise IC,Modules,Potentiometer,IC Socket,Relay,Connector.Our parts cover such applications as commercial,industrial, and automotives areas.

We are looking forward to setting up business relationship with you and hope to provide you with the best service and solution. Let us make a better world for our industry!



## Contact us

Tel: +86-755-8981 8866 Fax: +86-755-8427 6832

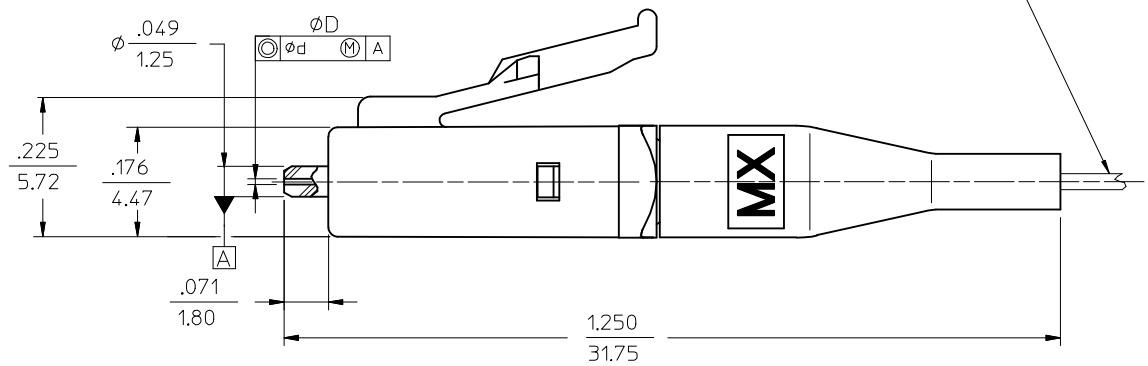
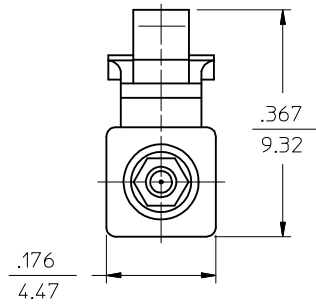
Email & Skype: info@chipsmall.com Web: www.chipsmall.com

Address: A1208, Overseas Decoration Building, #122 Zhenhua RD., Futian, Shenzhen, China



CONNECTOR P/N	øD (µm)	ød (µm)	HOUSING COLOR	BOOT COLOR	CABLE TYPE
106024-2500	125.50 <sup>+0.50</sup> / <sub>0</sub>	1.0	BLUE		SINGLE MODE
106024-3550*	127.00 <sup>+3.00</sup> / <sub>0</sub>	3.0	BEIGE	WHITE	MULTIMODE
106024-3500				BLUE	
106024-3530	125.00 <sup>+0.50</sup> / <sub>0</sub>	1.0	BLUE	WHITE	SINGLE MODE
106024-4500				BLUE	
106024-5500					
106024-5540*	126.00 <sup>+1.00</sup> / <sub>0</sub>	1.0	BLUE	WHITE	SINGLE MODE
106024-5590				BLUE	
106024-6500	125.25 <sup>+0.50</sup> / <sub>0</sub>	0.5	BLUE	WHITE	SINGLE MODE
106090-2700	125.50 <sup>+0.50</sup> / <sub>0</sub>				
106090-4500	125.00 <sup>+0.50</sup> / <sub>0</sub>				
106090-6500	125.25 <sup>+0.50</sup> / <sub>0</sub>				
106090-4510	125.2-125.5				
106090-4520	125.51-125.9	1.4	BLUE	WHITE	SINGLE MODE
106099-0500	81.0±0.5				
106024-2513	125.50 <sup>+0.50</sup> / <sub>0</sub>	0.5	BEIGE	YELLOW	
106024-5530	126.00 <sup>+1.00</sup> / <sub>0</sub>	1.0	BEIGE	WHITE	

(DUST CAP NOT SHOWN)



NOTE:  
 1. ALL DIMENSIONS ARE GIVEN IN INCHES/MM, EXCEPT OTHERWISE SPECIFIED.  
 \*2. P/N 106024-3310 AND 106024-5540 ARE BULK PACKED.

ENTER DESCRIPTION EC NO: MF2017-0132 DRW: M/HANUMAPPARE 2016/11/03 CHKD: APPR: LGUMIN 2016/11/16 REV DESCRIPTION	QUALITY SYMBOLS	GENERAL TOLERANCES (UNLESS SPECIFIED)	DIMENSION STYLE	SCALE	DESIGN UNITS	THIRD ANGLE PROJECTION
	▽=0	mm INCH	IN/MM	5:1	INCH	
	▽7=0	4 PLACES ± --- ± ---	DRAWN BY DATE	TITLE		
		3 PLACES ± 0.38 ± .005	PGIBLIN 2005/09/02	LC CONNECTOR (BARE FIBER)		
		2 PLACES ± 0.013 ± .015	CHECKED BY DATE	molex		
	1 PLACE ± --- ± ---	APPROVED BY DATE	MATERIAL NO.	DOCUMENT NO.	SHEET NO.	
	0 PLACE ± ±		SEE TABLE	SD-1060KK-KKKO	1 OF 1	
	ANGULAR ± 1 °	DRAFT WHERE APPLICABLE MUST REMAIN WITHIN DIMENSIONS	THIS DRAWING CONTAINS INFORMATION THAT IS PROPRIETARY TO MOLEX INCORPORATED AND SHOULD NOT BE USED WITHOUT WRITTEN PERMISSION			