



Chipsmall Limited consists of a professional team with an average of over 10 year of expertise in the distribution of electronic components. Based in Hongkong, we have already established firm and mutual-benefit business relationships with customers from,Europe,America and south Asia,supplying obsolete and hard-to-find components to meet their specific needs.

With the principle of “Quality Parts,Customers Priority,Honest Operation,and Considerate Service”,our business mainly focus on the distribution of electronic components. Line cards we deal with include Microchip,ALPS,ROHM,Xilinx,Pulse,ON,Everlight and Freescale. Main products comprise IC,Modules,Potentiometer,IC Socket,Relay,Connector.Our parts cover such applications as commercial,industrial, and automotives areas.

We are looking forward to setting up business relationship with you and hope to provide you with the best service and solution. Let us make a better world for our industry!



Contact us

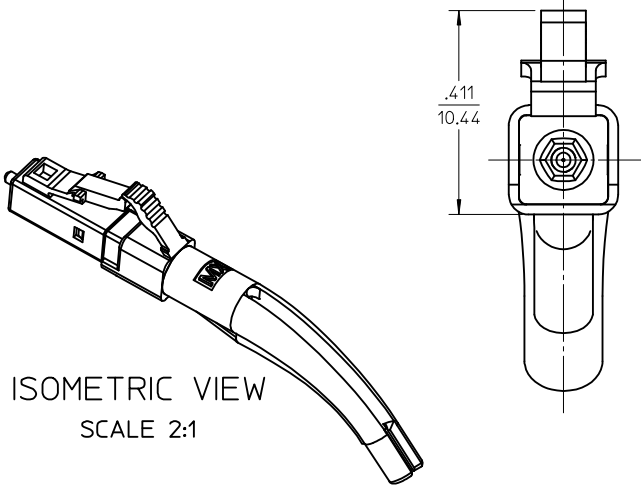
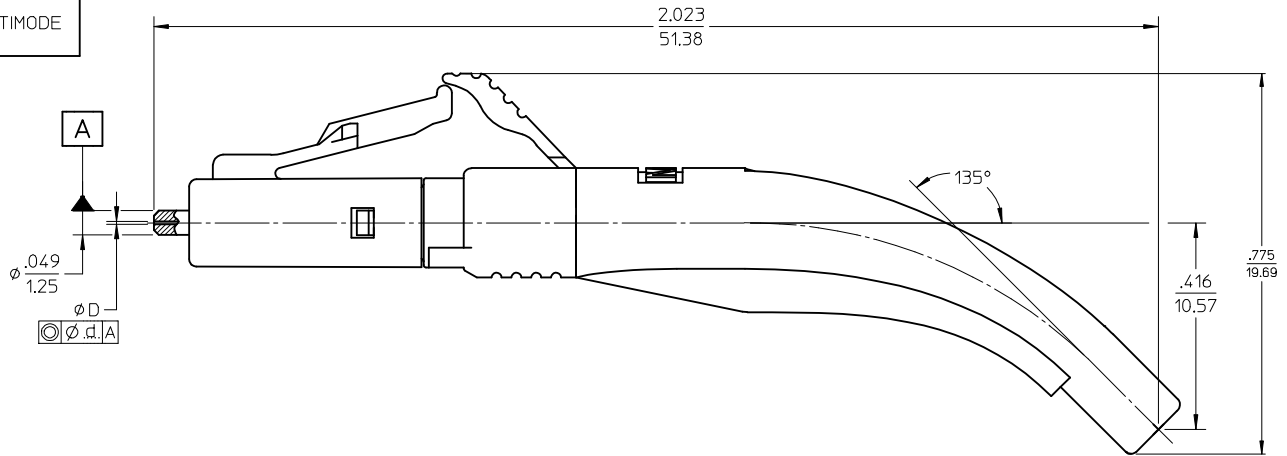
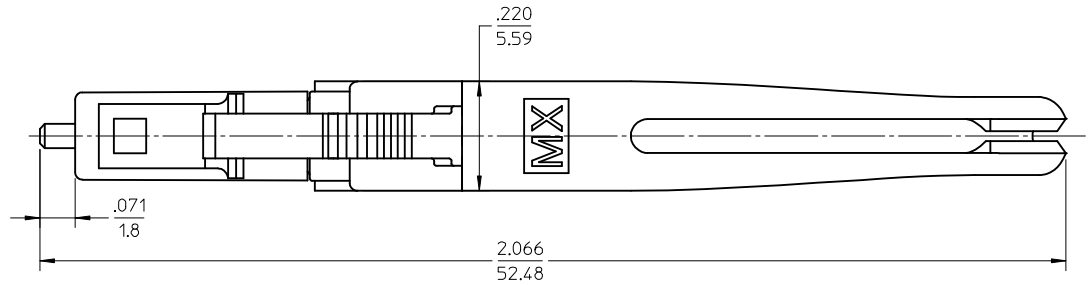
Tel: +86-755-8981 8866 Fax: +86-755-8427 6832

Email & Skype: info@chipsmall.com Web: www.chipsmall.com

Address: A1208, Overseas Decoration Building, #122 Zhenhua RD., Futian, Shenzhen, China



CONNECTOR P/N	ØD (µm)	Ød (µm)	CONN. BODY COLOR	BOOT COLOR	CABLE Ø (mm)	CABLE TYPE			
106024-7110	125 ^{+0.5} / ₀	0.5	BLUE	WHITE	1.6	SINGLE MODE			
106024-7115					1.6 ZIPCORD & 2				
106024-7120	125.25 ^{+0.5} / ₀	1.6			1.6 ZIPCORD & 2				
106024-7125		1.6 ZIPCORD & 2							
106024-7130	125.5 ^{+0.5} / ₀	1.6			1.6 ZIPCORD & 2				
106024-7135		1.6 ZIPCORD & 2							
106024-7140	126 ⁺¹ / ₀	1			BEIGE		MULTIMODE	1.6	MULTIMODE
106024-7145								1.6 ZIPCORD & 2	
106024-7150	125 ^{+0.5} / ₀	1.6						1.6 ZIPCORD & 2	
106024-7155		1.6 ZIPCORD & 2							
106024-7160	125.25 ^{+0.5} / ₀	1.6	1.6 ZIPCORD & 2						
106024-7165		1.6 ZIPCORD & 2							
106024-7170	125.5 ^{+0.5} / ₀	1.6	1.6 ZIPCORD & 2						
106024-7175		1.6 ZIPCORD & 2							
106024-7180	127 ⁺³ / ₀	3	BEIGE	MULTIMODE		1.6		MULTIMODE	
106024-7185						1.6 ZIPCORD & 2			



NOTES:
 1. ALL DIMENSIONS ARE FOR REFERENCE ONLY.
 2. DUST CAP IS NOT SHOWN.

ENTER DESCRIPTION EC NO: MF2013-0244 DRW:MKPEVZNER 2012/10/29 CHKD: APPR: LGUMIN 2012/10/31 REV B1	QUALITY SYMBOLS ▼=0 ▽=0	GENERAL TOLERANCES (UNLESS SPECIFIED) mm INCH 4 PLACES ± --- ± --- 3 PLACES ± --- ± --- 2 PLACES ± --- ± --- 1 PLACE ± --- ± --- 0 PLACE ± ±	DIMENSION STYLE IN/MM DRAWN BY PGIBLIN DATE 2005/09/06 CHECKED BY DATE APPROVED BY DATE	SCALE 4:1 DESIGN UNITS INCH THIRD ANGLE PROJECTION	TITLE LC CONNECTOR 45 DEGREE BOOT	MATERIAL NO. SEE TABLE SIZE B	DOCUMENT NO. SD-106024-71XX	SHEET NO. 1 OF 1
	ANGULAR ±1/2° DRAFT WHERE APPLICABLE MUST REMAIN WITHIN DIMENSIONS							
	THIS DRAWING CONTAINS INFORMATION THAT IS PROPRIETARY TO MOLEX INCORPORATED AND SHOULD NOT BE USED WITHOUT WRITTEN PERMISSION							
	molex							