



Chipsmall Limited consists of a professional team with an average of over 10 year of expertise in the distribution of electronic components. Based in Hongkong, we have already established firm and mutual-benefit business relationships with customers from,Europe,America and south Asia,supplying obsolete and hard-to-find components to meet their specific needs.

With the principle of “Quality Parts,Customers Priority,Honest Operation,and Considerate Service”,our business mainly focus on the distribution of electronic components. Line cards we deal with include Microchip,ALPS,ROHM,Xilinx,Pulse,ON,Everlight and Freescale. Main products comprise IC,Modules,Potentiometer,IC Socket,Relay,Connector.Our parts cover such applications as commercial,industrial, and automotives areas.

We are looking forward to setting up business relationship with you and hope to provide you with the best service and solution. Let us make a better world for our industry!



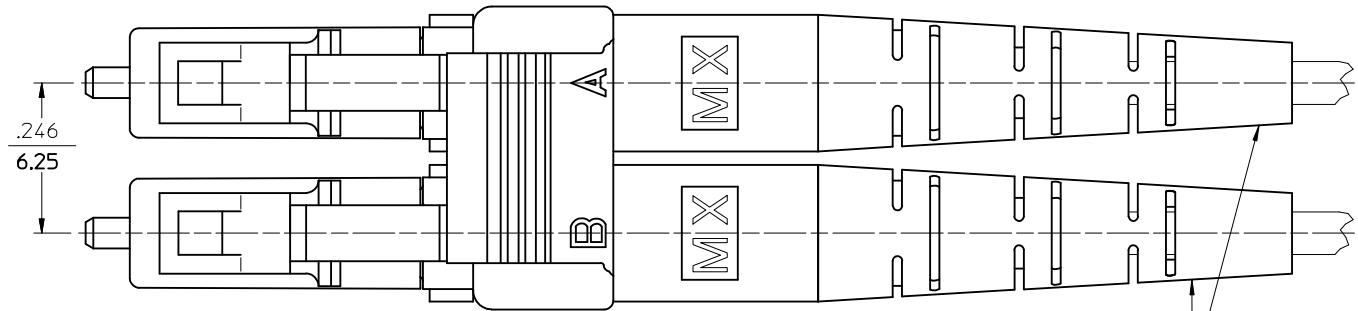
Contact us

Tel: +86-755-8981 8866 Fax: +86-755-8427 6832

Email & Skype: info@chipsmall.com Web: www.chipsmall.com

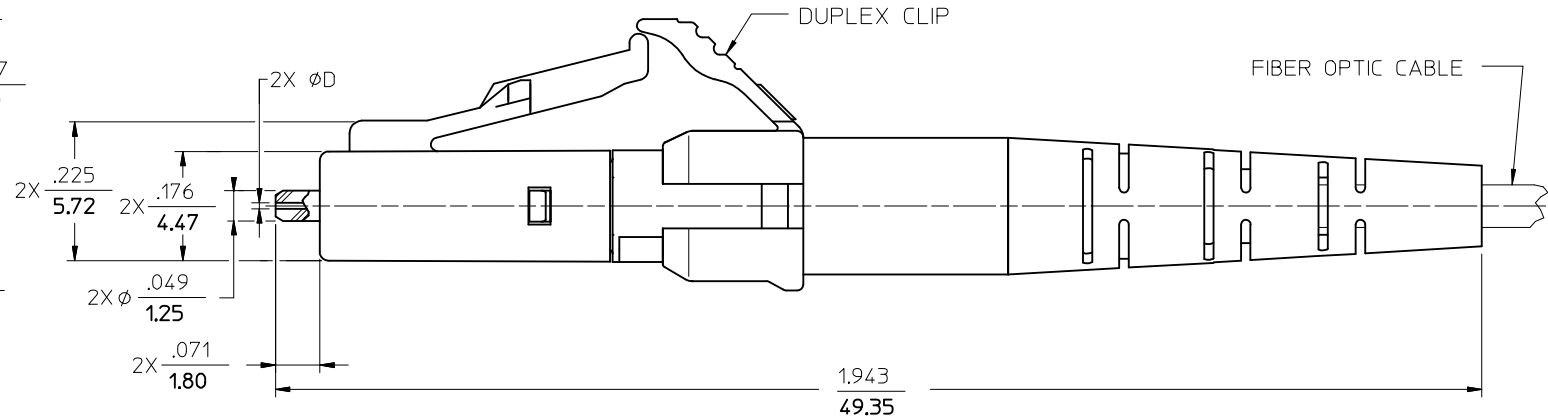
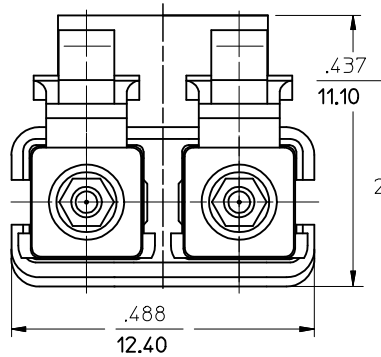
Address: A1208, Overseas Decoration Building, #122 Zhenhua RD., Futian, Shenzhen, China





BOOTS

(DUST CAPS NOT SHOWN)



DUPLEX CLIP

FIBER OPTIC CABLE

NOTES:

- 1. DUPLEX CLIP AND BOOTS SHOULD BE ASSEMBLED AFTER POLISHING OPERATION.
- *2. P/N 106025-3320 AND 106025-5320 ARE BULK PACKED IN QUANTITIES OF 100 PCS.

ENTER DESCRIPTION EC NO: MF2013-0203 DR: MANKPEVNER 2012/10/09 CHKD: LGUMIN 2012/10/09 APPR: LGUMIN 2012/10/09 B1	QUALITY SYMBOLS ▽=0 ▽=0	GENERAL TOLERANCES (UNLESS SPECIFIED) mm INCH 4 PLACES ± --- ± --- 3 PLACES ± --- ± --- 2 PLACES ± --- ± --- 1 PLACE ± --- ± --- 0 PLACE ± ±	DIMENSION STYLE IN/MM DRAWN BY DATE PGIBLIN 2005/09/06 CHECKED BY DATE APPROVED BY DATE	SCALE 5:1 DESIGN UNITS INCH	THIRD ANGLE PROJECTION
	TITLE LC DUPLEX CONNECTOR				
	MATERIAL NO. SEE TABLE DOCUMENT NO. SD-1060DD-DDD0 SHEET NO. 1 OF 1				
	ANGULAR ±1/2° DRAFT WHERE APPLICABLE MUST REMAIN WITHIN DIMENSIONS THIS DRAWING CONTAINS INFORMATION THAT IS PROPRIETARY TO MOLEX INCORPORATED AND SHOULD NOT BE USED WITHOUT WRITTEN PERMISSION				

6	5	4	3	2	1	
CONNECTOR P/N	∅D (µm)	CONNECTOR BODY COLOR	BOOT COLOR	CABLE DESCRIPTION & ∅ (mm)	CABLE TYPE	
106025-2000	125.50	BLUE	WHITE	SIMPLEX 1.6	SINGLE MODE	
106025-2300				SIMPLEX 2.0 ZIPCORD 1.6		
106025-2310			BLACK			
106025-3000	127.00	BEIGE	WHITE	SIMPLEX 1.6	MULTIMODE	
106025-3300				SIMPLEX 2.0 ZIPCORD 1.6		
106025-3320*						
106025-3310			BLUE			
106025-4000	125.00	BLUE	WHITE	SIMPLEX 1.6	SINGLE MODE	
106025-4300				SIMPLEX 2.0 ZIPCORD 1.6		
106025-5000	SIMPLEX 1.6					
106025-5300	SIMPLEX 2.0 ZIPCORD 1.6					
106025-5320*						
106025-5310	BLUE					
106025-6000	125.25		WHITE	SIMPLEX 1.6		
106025-6300				SIMPLEX 2.0 ZIPCORD 1.6		

ENTER DESCRIPTION EC NO: MF2013-0203 DRWN:KPEVZNER 2012/10/09 CHKD: APPR:IGUMIN 2012/10/09 REV B1	QUALITY SYMBOLS 	GENERAL TOLERANCES (UNLESS SPECIFIED)		DIMENSION STYLE IN/MM		SCALE 5:1	DESIGN UNITS INCH	THIRD ANGLE PROJECTION		
		4 PLACES	± ---	± ---	DRAWN BY	DATE	LC DUPLEX CONNECTOR			
		3 PLACES	± ---	± ---	PGIBLIN	2005/09/06				
		2 PLACES	± ---	± ---	CHECKED BY	DATE				
		1 PLACE	± ---	± ---	APPROVED BY	DATE				
0 PLACE	±	±								
ANGULAR ±1/2° DRAFT WHERE APPLICABLE MUST REMAIN WITHIN DIMENSIONS			MATERIAL NO. SEE TABLE		DOCUMENT NO. SD-1060DD-DDD0		SHEET NO. 2 OF 1			
THIS DRAWING CONTAINS INFORMATION THAT IS PROPRIETARY TO MOLEX INCORPORATED AND SHOULD NOT BE USED WITHOUT WRITTEN PERMISSION										