



Chipsmall Limited consists of a professional team with an average of over 10 year of expertise in the distribution of electronic components. Based in Hongkong, we have already established firm and mutual-benefit business relationships with customers from,Europe,America and south Asia,supplying obsolete and hard-to-find components to meet their specific needs.

With the principle of “Quality Parts,Customers Priority,Honest Operation,and Considerate Service”,our business mainly focus on the distribution of electronic components. Line cards we deal with include Microchip,ALPS,ROHM,Xilinx,Pulse,ON,Everlight and Freescale. Main products comprise IC,Modules,Potentiometer,IC Socket,Relay,Connector.Our parts cover such applications as commercial,industrial, and automotives areas.

We are looking forward to setting up business relationship with you and hope to provide you with the best service and solution. Let us make a better world for our industry!




## Contact us

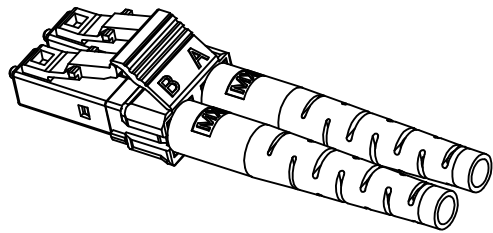
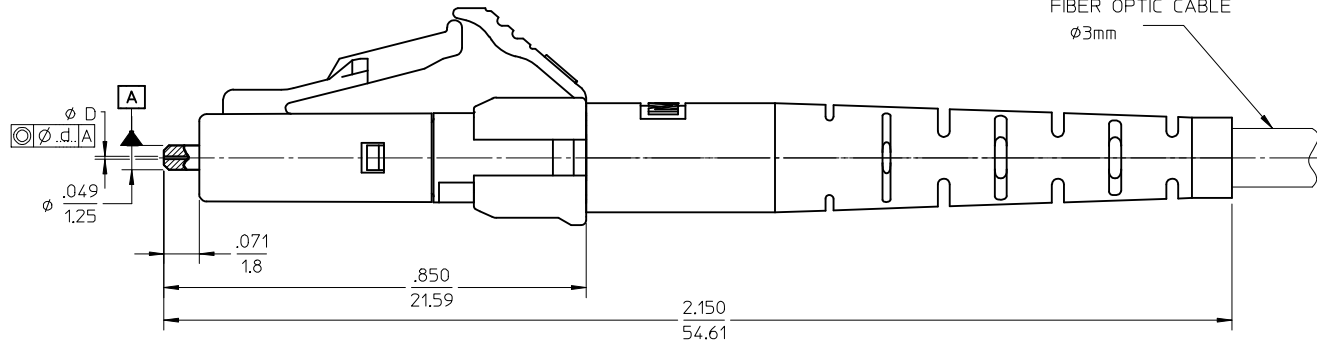
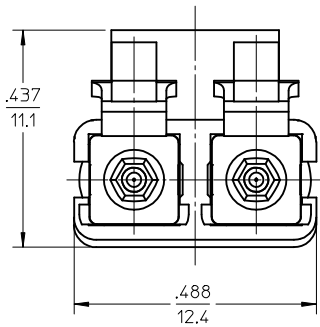
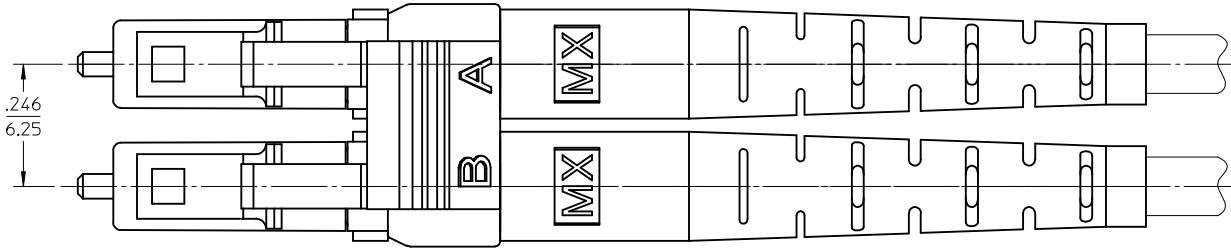
Tel: +86-755-8981 8866 Fax: +86-755-8427 6832

Email & Skype: info@chipsmall.com Web: www.chipsmall.com

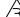
Address: A1208, Overseas Decoration Building, #122 Zhenhua RD., Futian, Shenzhen, China




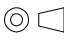



10	9	8	7	6	5	4	3	2	1
CONNECTOR P/N	∅D (μm)	∅d (μm)	CONN. BODY COLOR	CONN. BOOT COLOR	CABLE TYPE				
106025-2250	125.5 <sup>+0.5</sup> <sub>0</sub>	1	BLUE	WHITE	SINGLE MODE				
106025-3250	127 <sup>+3</sup> <sub>0</sub>	3	BEIGE		MULTIMODE				
106025-3260									
106025-4250	125 <sup>+0.5</sup> <sub>0</sub>	1	BLUE	WHITE	SINGLE MODE				
106025-5250	126 <sup>+1</sup> <sub>0</sub>								
106025-6250	125.25 <sup>+0.5</sup> <sub>0</sub>								
106025-2270	125.5 <sup>+0.5</sup> <sub>0</sub>	0.5							
106025-5260 	126 <sup>+1</sup> <sub>0</sub>	1							



ISOMETRIC VIEW  
SCALE 2:1

- NOTES:
- ALL DIMENSIONS ARE FOR REFERENCE ONLY.
  - DUST CAPS ARE NOT SHOWN.
  -  P/N 106025-5260 IS BULK PACKED IN QUANTITIES OF 100PCS.

<b>ENTER DESCRIPTION</b> EC NO: MF2013-0244 DR: MANKPEVNER 2012/10/30 CHKD: JGUMIN 2012/10/31 APPR: JGUMIN 2012/10/31 REV B1	<b>QUALITY SYMBOLS</b>  F=0  E=0  F=0	<b>GENERAL TOLERANCES (UNLESS SPECIFIED)</b> <table border="1"> <thead> <tr> <th></th> <th>mm</th> <th>INCH</th> </tr> </thead> <tbody> <tr> <td>4 PLACES</td> <td>± .005</td> <td>± .0004</td> </tr> <tr> <td>3 PLACES</td> <td>± .004</td> <td>± .0003</td> </tr> <tr> <td>2 PLACES</td> <td>± .003</td> <td>± .0002</td> </tr> <tr> <td>1 PLACE</td> <td>± .002</td> <td>± .0001</td> </tr> <tr> <td>0 PLACE</td> <td>± .001</td> <td>± .0000</td> </tr> </tbody> </table>		mm	INCH	4 PLACES	± .005	± .0004	3 PLACES	± .004	± .0003	2 PLACES	± .003	± .0002	1 PLACE	± .002	± .0001	0 PLACE	± .001	± .0000	<b>DIMENSION STYLE</b> IN/MM DRAWN BY PGIBL IN DATE 2005/11/14 CHECKED BY DATE APPROVED BY DATE	SCALE 4:1 DESIGN UNITS INCH  THIRD ANGLE PROJECTION	<b>TITLE</b> LC DUPLEX CONNECTOR 3MM CABLE APPLICATION
		mm	INCH																				
	4 PLACES	± .005	± .0004																				
	3 PLACES	± .004	± .0003																				
2 PLACES	± .003	± .0002																					
1 PLACE	± .002	± .0001																					
0 PLACE	± .001	± .0000																					
ANGULAR ±1/2° DRAFT WHERE APPLICABLE MUST REMAIN WITHIN DIMENSIONS		MATERIAL NO. SEE TABLE SIZE B	DOCUMENT NO. SD-106025-X250	SHEET NO. 1 OF 1																			
THIS DRAWING CONTAINS INFORMATION THAT IS PROPRIETARY TO MOLEX INCORPORATED AND SHOULD NOT BE USED WITHOUT WRITTEN PERMISSION																							