



Chipsmall Limited consists of a professional team with an average of over 10 year of expertise in the distribution of electronic components. Based in Hongkong, we have already established firm and mutual-benefit business relationships with customers from,Europe,America and south Asia,supplying obsolete and hard-to-find components to meet their specific needs.

With the principle of “Quality Parts,Customers Priority,Honest Operation,and Considerate Service”,our business mainly focus on the distribution of electronic components. Line cards we deal with include Microchip,ALPS,ROHM,Xilinx,Pulse,ON,Everlight and Freescale. Main products comprise IC,Modules,Potentiometer,IC Socket,Relay,Connector.Our parts cover such applications as commercial,industrial, and automotives areas.

We are looking forward to setting up business relationship with you and hope to provide you with the best service and solution. Let us make a better world for our industry!



Contact us

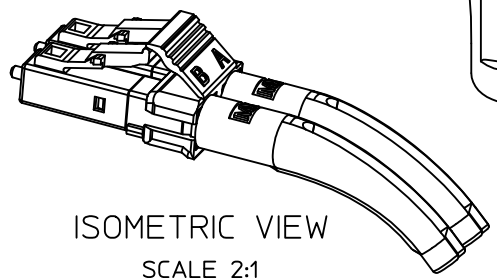
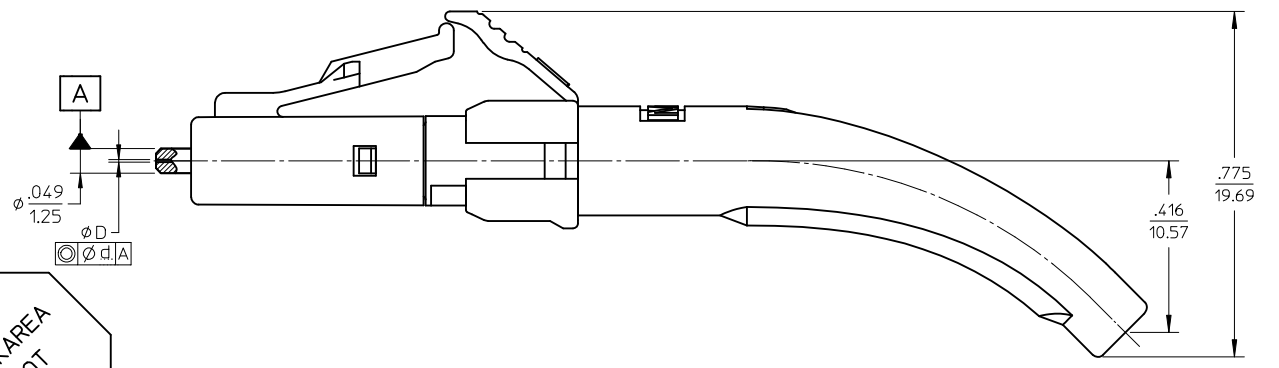
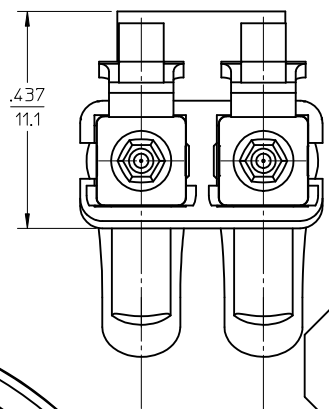
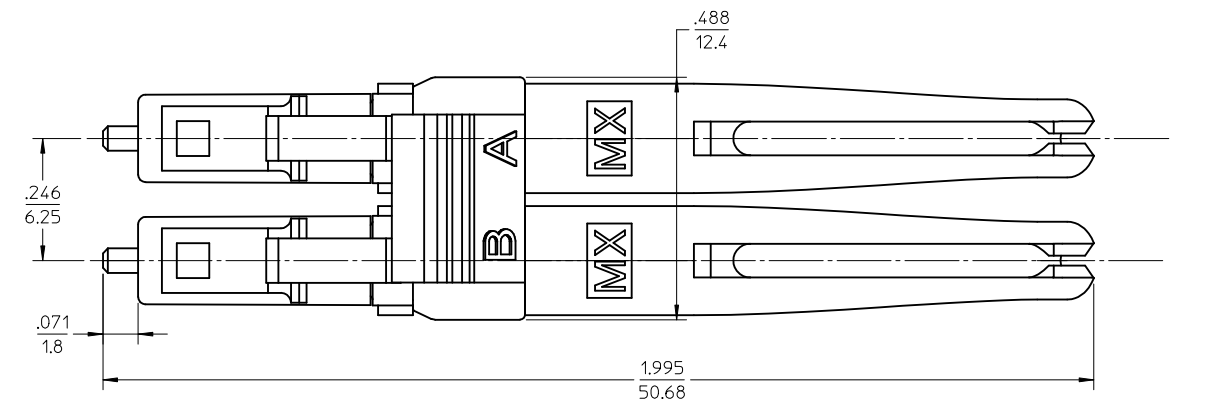
Tel: +86-755-8981 8866 Fax: +86-755-8427 6832

Email & Skype: info@chipsmall.com Web: www.chipsmall.com

Address: A1208, Overseas Decoration Building, #122 Zhenhua RD., Futian, Shenzhen, China



10	9	8	7	6	5	4	3	2	1
CONNECTOR P/N	∅D (µm)	∅d (µm)	CONN. BODY COLOR	BOOT COLOR	CABLE ∅ (mm)	CABLE TYPE			
106025-7110	125 ^{+0.5} ₀	0.5	BLUE	WHITE	1.6	SINGLE MODE			
106025-7115	1.6 ZIPCORD & 2								
106025-7120	1.6								
106025-7125	1.6 ZIPCORD & 2								
106025-7130	1.6								
106025-7135	1.6 ZIPCORD & 2								
106025-7140	126 ⁺¹ ₀	1	BLUE	WHITE	1.6	SINGLE MODE			
106025-7145	1.6 ZIPCORD & 2								
106025-7150	1.6								
106025-7155	1.6 ZIPCORD & 2								
106025-7160	1.6								
106025-7165	1.6 ZIPCORD & 2								
106025-7170	125.25 ^{+0.5} ₀	3	BEIGE	WHITE	1.6	MULTIMODE			
106025-7175	1.6 ZIPCORD & 2								
106025-7180	1.6								
106025-7185	127 ⁺³ ₀				1.6 ZIPCORD & 2				



WORK-AREA PLOT

NOTES:
 1. ALL DIMENSIONS ARE FOR REFERENCE ONLY.
 2. DUST CAPS ARE NOT SHOWN.

ENTER DESCRIPTION EC NO: MF2012-0400 DRWN: YBELENKIY 2012/02/20 CHKD: APPR: IGUMIN 2012/02/20 REV B	QUALITY SYMBOLS	GENERAL TOLERANCES (UNLESS SPECIFIED)	DIMENSION STYLE	SCALE	DESIGN UNITS	THIRD ANGLE PROJECTION
	▼=0 ▽=0	mm INCH 4 PLACES ± --- ± --- 3 PLACES ± --- ± --- 2 PLACES ± --- ± --- 1 PLACE ± --- ± --- ANGULAR ±1/2°	IN/MM	4:1	INCH	
		DRAFT WHERE APPLICABLE MUST REMAIN WITHIN DIMENSIONS	DRAWN BY DATE PGIBLIN 2005/11/14 CHECKED BY DATE APPROVED BY DATE	TITLE	LC DUPLEX CONNECTOR 45 DEGREE BOOT	
			SEE TABLE	MOLEX INCORPORATED DOCUMENT NO. SD-106025-71XX SHEET NO. 1 OF 1		