



Chipsmall Limited consists of a professional team with an average of over 10 year of expertise in the distribution of electronic components. Based in Hongkong, we have already established firm and mutual-benefit business relationships with customers from,Europe,America and south Asia,supplying obsolete and hard-to-find components to meet their specific needs.

With the principle of “Quality Parts,Customers Priority,Honest Operation,and Considerate Service”,our business mainly focus on the distribution of electronic components. Line cards we deal with include Microchip,ALPS,ROHM,Xilinx,Pulse,ON,Everlight and Freescale. Main products comprise IC,Modules,Potentiometer,IC Socket,Relay,Connector.Our parts cover such applications as commercial,industrial, and automotives areas.

We are looking forward to setting up business relationship with you and hope to provide you with the best service and solution. Let us make a better world for our industry!



## Contact us

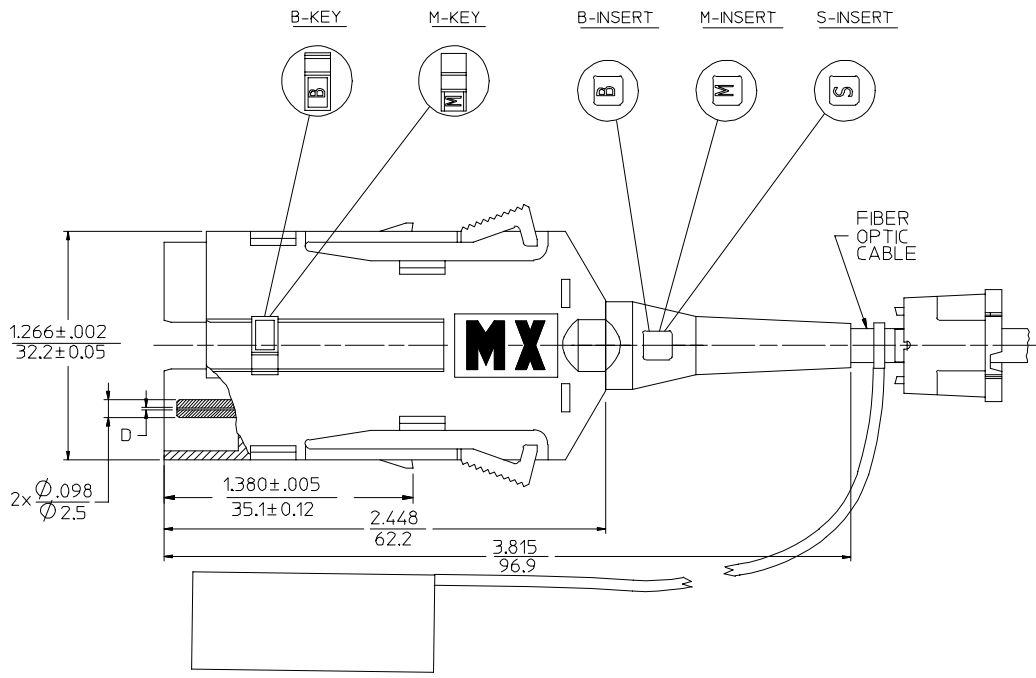
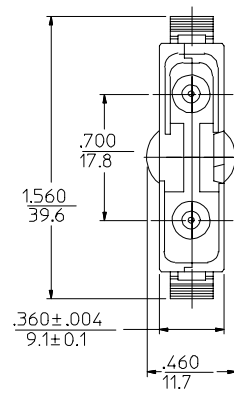
Tel: +86-755-8981 8866 Fax: +86-755-8427 6832

Email & Skype: info@chipsmall.com Web: www.chipsmall.com

Address: A1208, Overseas Decoration Building, #122 Zhenhua RD., Futian, Shenzhen, China



Ø D (4m)	P/N OF CONNECTOR	FERRULE MATERIAL	CONNECTOR COLOR	CABLE TYPE	
				Ø 4.1 mm NON-PLENUM	Ø 4.8 mm NON-PLENUM
127	106030-0000	Zr PLUS	BLACK	Ø 4.1 mm NON-PLENUM	MULTIMODE
	106030-0100			Ø 4.8 mm NON-PLENUM	
	106030-0200			ZPCORD	
	106030-0210*				
128	106030-3000	Zr		Ø 4.1 mm NON-PLENUM	
	106030-3100			Ø 4.8 mm NON-PLENUM	
	106030-3200			ZPCORD	



NOTES:  
 1. INSERTS "A", "B" AND "M" SHOULD MATCH KEY TYPES "A", "B" AND "M" RESPECTIVELY. CONNECTOR WITHOUT KEY IS "S" TYPE, AND SHOULD HAVE S-INSERT. ORIENTATION OF KEYS AND INSERTS IS AS PER DRAWING.  
 2. P/N 106030-0210 IS BULK PACKED IN QUANTITIES OF 100 PCS.

ENTER DESCRIPTION EC NO: MF2006-0424 DRAWN/RPAC I/C I 2006/01/24 CHKD: 2006/01/24 APPR: JGUMIN 2006/01/24 REV:	QUALITY SYMBOLS	GENERAL TOLERANCES (UNLESS SPECIFIED)		DIMENSION STYLE IN/MM		SCALE 2:1	DESIGN UNITS INCH	THIRD ANGLE PROJECTION	
		mm	INCH	DRAWN BY RPAC I/C I	DATE 2005/12/22	FDDI CONNECTOR (4.2-4.8 MM CABLE)			
		4 PLACES ± --- ± ---	3 PLACES ± --- ± ---	CHECKED BY	DATE				
		2 PLACES ± --- ± ---	1 PLACE ± --- ± ---	APPROVED BY	DATE				
ANGULAR ±1/2°		MATERIAL NO.		DOCUMENT NO.		MOLEX INCORPORATED			
DRAFT WHERE APPLICABLE MUST REMAIN WITHIN DIMENSIONS		SEE TABLE		SD-106030-XX00		SHEET NO. 1 OF 01			
THIS DRAWING CONTAINS INFORMATION THAT IS PROPRIETARY TO MOLEX INCORPORATED AND SHOULD NOT BE USED WITHOUT WRITTEN PERMISSION									