



Chipsmall Limited consists of a professional team with an average of over 10 year of expertise in the distribution of electronic components. Based in Hongkong, we have already established firm and mutual-benefit business relationships with customers from,Europe,America and south Asia,supplying obsolete and hard-to-find components to meet their specific needs.

With the principle of "Quality Parts,Customers Priority,Honest Operation,and Considerate Service",our business mainly focus on the distribution of electronic components. Line cards we deal with include Microchip,ALPS,ROHM,Xilinx,Pulse,ON,Everlight and Freescale. Main products comprise IC,Modules,Potentiometer,IC Socket,Relay,Connector.Our parts cover such applications as commercial,industrial, and automotives areas.

We are looking forward to setting up business relationship with you and hope to provide you with the best service and solution. Let us make a better world for our industry!



## Contact us

Tel: +86-755-8981 8866 Fax: +86-755-8427 6832

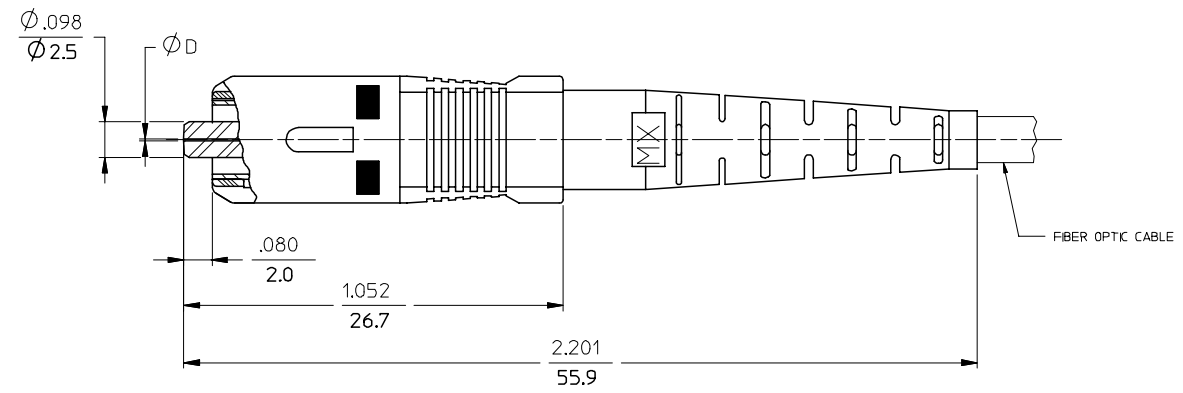
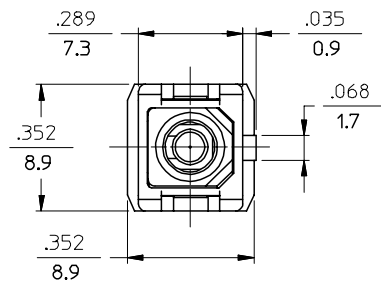
Email & Skype: info@chipsmall.com Web: www.chipsmall.com

Address: A1208, Overseas Decoration Building, #122 Zhenhua RD., Futian, Shenzhen, China



13 12 11 10 9 8 7 6 5 4 3 2 1

J  
I  
H  
G  
F  
E  
D  
C  
B  
A



NOTES:  
 1. ALL DIMENSIONS ARE FOR REFERENCE ONLY.  
 \*2. P/NS 106032-5020, 106032-0140, 106032-5310, 106032-5990 AND 106032-0910 ARE BULK PACKED IN QUANTITIES OF 100 pcs.

ENTER DESCRIPTION EC NO: MF2007-0445 DRAWN BY: RPACIFICI CHKD: RPACIFICI APPR: JGUMIN REVISIONS: B1	QUALITY SYMBOLS ▽=0 ▽=0	GENERAL TOLERANCES (UNLESS SPECIFIED)		DIMENSION STYLE IN/MM	SCALE 4:1	DESIGN UNITS INCH	THIRD ANGLE PROJECTION		
		4 PLACES ± --- ± --- 3 PLACES ± --- ± --- 2 PLACES ± --- ± --- 1 PLACE ± --- ± ---	mm INCH	DRAWN BY: RPACIFICI DATE: 2005/12/22	TITLE: SC CONNECTOR (TUNABLE)				
		ANGULAR ±1/2°		CHECKED BY: _____ DATE: _____	MOLEX INCORPORATED				
		DRAFT WHERE APPLICABLE MUST REMAIN WITHIN DIMENSIONS		APPROVED BY: _____ DATE: _____	MATERIAL NO. SEE TABLE	DOCUMENT NO. SD-106032-XXX0	SHEET NO. 1 OF 3		

12 11 10 9 8 7 6 5 4 3 2 1

10	9	8	7	6	5	4	3	2	1		
CONNECTOR P/N	∅ (Hm)	BOOT COLOR	HOUSING COLOR	CONNECTOR TYPE	CABLE (mm)	CONNECTOR P/N	∅ (Hm)	BOOT COLOR	HOUSING COLOR	CONNECTOR TYPE	CABLE (mm)
106032-0000	127	BLUE	BLUE	MULTIMODE	3	106032-3000	128	BLUE	BLUE	MULTIMODE	3
106032-0900					2.0 & 1.6 DUPLEX	106032-3900					2.0 & 1.6 DUPLEX
106032-0100					1.6 SIMPLEX	106032-3100					1.6 SIMPLEX
106032-0050					3	106032-3060					3
106032-0950		WHITE	BEIGE		2.0 & 1.6 DUPLEX	106032-3960		2.0 & 1.6 DUPLEX			
106032-0150					1.6 SIMPLEX	106032-3160		1.6 SIMPLEX			
106032-0060					3	106032-3050		3			
106032-0910*					2.0 & 1.6 DUPLEX	106032-3950		2.0 & 1.6 DUPLEX			
106032-0960		BEIGE	BEIGE		MULTIMODE	1.6 SIMPLEX		106032-3150	1.6 SIMPLEX		
106032-0140*						3		106032-3080	3		
106032-0160						2.0 & 1.6 DUPLEX		106032-3980	2.0 & 1.6 DUPLEX		
106032-0080						1.6 SIMPLEX		106032-3180	1.6 SIMPLEX		
106032-0980	RED	RED	2.0 & 1.6 DUPLEX	106032-3070		3					
106032-0180			1.6 SIMPLEX	106032-3970		2.0 & 1.6 DUPLEX					
106032-0070			3	106032-3170		1.6 SIMPLEX					
106032-0970			2.0 & 1.6 DUPLEX								
106032-0170	125.5	YELLOW	SINGLE MODE	1.6 SIMPLEX							
106032-2000				3							
106032-2900				2.0 & 1.6 DUPLEX							
106032-2100				1.6 SIMPLEX							
106032-2050		WHITE		BLUE	3						
106032-2950					2.0 & 1.6 DUPLEX						
106032-2150					1.6 SIMPLEX						
106032-2080					3						
106032-2980		RED		RED	2.0 & 1.6 DUPLEX						
106032-2180					1.6 SIMPLEX						
106032-2070					3						
106032-2970					2.0 & 1.6 DUPLEX						
106032-2170	BLACK	BLACK	1.6 SIMPLEX								

ENTER DESCRIPTION EC NO: MF2007-0445 DRWNGKPEVNER 2007/01/12 CHKD: 2007/01/12 APPR: IGUMIN 2007/01/15 REV B1	QUALITY SYMBOLS ▽=0 ▽=0	GENERAL TOLERANCES (UNLESS SPECIFIED) <table border="1"> <tr> <th></th> <th>mm</th> <th>INCH</th> </tr> <tr> <td>4 PLACES</td> <td>± ---</td> <td>± ---</td> </tr> <tr> <td>3 PLACES</td> <td>± ---</td> <td>± ---</td> </tr> <tr> <td>2 PLACES</td> <td>± ---</td> <td>± ---</td> </tr> <tr> <td>1 PLACE</td> <td>± ---</td> <td>± ---</td> </tr> </table>		mm	INCH	4 PLACES	± ---	± ---	3 PLACES	± ---	± ---	2 PLACES	± ---	± ---	1 PLACE	± ---	± ---	DIMENSION STYLE IN/MM DRAWN BY: RPACIFICI DATE: 2005/12/22 CHECKED BY: DATE:	SCALE 4:1	DESIGN UNITS INCH	THIRD ANGLE PROJECTION
		mm	INCH																		
	4 PLACES	± ---	± ---																		
	3 PLACES	± ---	± ---																		
2 PLACES	± ---	± ---																			
1 PLACE	± ---	± ---																			
DRAFT WHERE APPLICABLE MUST REMAIN WITHIN DIMENSIONS		APPROVED BY: DATE:	TITLE SC CONNECTOR (TUNABLE)																		
		MATERIAL NO. SEE TABLE	DOCUMENT NO. SD-106032-XXX0		SHEET NO. 2 OF 3																
		THIS DRAWING CONTAINS INFORMATION THAT IS PROPRIETARY TO MOLEX INCORPORATED AND SHOULD NOT BE USED WITHOUT WRITTEN PERMISSION																			

10	9	8	7	6	5	4	3	2	1		
CONNECTOR P/N	Ø (Mm)	BOOT COLOR	HOUSING COLOR	CONNECTOR TYPE	CABLE (mm)	CONNECTOR P/N	Ø (Mm)	BOOT COLOR	HOUSING COLOR	CONNECTOR TYPE	CABLE (mm)
106032-4000	125	YELLOW	BLUE	SINGLE MODE	3	106032-6000	125.5	YELLOW	BLUE	SINGLE MODE	3
106032-4900					2.0 & 1.6 DUPLEX	106032-6900					2.0 & 1.6 DUPLEX
106032-4100					1.6 SIMPLEX	106032-6100					1.6 SIMPLEX
106032-4050					3	106032-7000					3
106032-4950					2.0 & 1.6 DUPLEX	106032-7900					2.0 & 1.6 DUPLEX
106032-4150					1.6 SIMPLEX	106032-7100					1.6 SIMPLEX
106032-4080		WHITE	RED		3	106032-7050	3				
106032-4980					2.0 & 1.6 DUPLEX	106032-7950	2.0 & 1.6 DUPLEX				
106032-4180					1.6 SIMPLEX	106032-7150	1.6 SIMPLEX				
106032-4070					3	106032-7080	3				
106032-4970					2.0 & 1.6 DUPLEX	106032-7980	2.0 & 1.6 DUPLEX				
106032-4170					1.6 SIMPLEX	106032-7180	1.6 SIMPLEX				
106032-5000	126	YELLOW	BLUE	3	106032-7070	127	WHITE	RED	3		
106032-5020*				2.4	106032-7970				2.0 & 1.6 DUPLEX		
106032-5300				2.0 & 1.6 DUPLEX	106032-7170				1.6 SIMPLEX		
106032-5310*				1.6 SIMPLEX	106032-7070				3		
106032-5900				3	106032-7970				2.0 & 1.6 DUPLEX		
106032-5990*				2.0 & 1.6 DUPLEX	106032-7180				1.6 SIMPLEX		
106032-5100		WHITE	RED	1.6 SIMPLEX	106032-7070	3					
106032-5050				3	106032-7970	2.0 & 1.6 DUPLEX					
106032-5950				2.0 & 1.6 DUPLEX	106032-7180	1.6 SIMPLEX					
106032-5150				1.6 SIMPLEX	106032-7070	3					
106032-5080				3	106032-7970	2.0 & 1.6 DUPLEX					
106032-5980				2.0 & 1.6 DUPLEX	106032-7180	1.6 SIMPLEX					
106032-5180	BLACK	BLACK	1.6 SIMPLEX	106032-7070	3						
106032-5070			3	106032-7970	2.0 & 1.6 DUPLEX						
106032-5970			2.0 & 1.6 DUPLEX	106032-7180	1.6 SIMPLEX						
106032-5170			1.6 SIMPLEX	106032-7070	3						
						106032-7970	2.0 & 1.6 DUPLEX				
						106032-7180	1.6 SIMPLEX				

ENTER DESCRIPTION EC NO: MF2007-0445 DRWNGKPEVNER 2007/01/12 CHKD: 2007/01/12 APPR: IGUMIN 2007/01/15	DESCRIPTION REV	QUALITY SYMBOLS ▽=0 ▽=0	GENERAL TOLERANCES (UNLESS SPECIFIED) <table border="1"> <tr> <th></th> <th>mm</th> <th>INCH</th> </tr> <tr> <td>4 PLACES</td> <td>± ---</td> <td>± ---</td> </tr> <tr> <td>3 PLACES</td> <td>± ---</td> <td>± ---</td> </tr> <tr> <td>2 PLACES</td> <td>± ---</td> <td>± ---</td> </tr> <tr> <td>1 PLACE</td> <td>± ---</td> <td>± ---</td> </tr> </table>		mm	INCH	4 PLACES	± ---	± ---	3 PLACES	± ---	± ---	2 PLACES	± ---	± ---	1 PLACE	± ---	± ---	DIMENSION STYLE IN/MM DRAWN BY: RPACIFICI DATE: 2005/12/22 CHECKED BY: DATE:	SCALE 4:1 DESIGN UNITS INCH	THIRD ANGLE PROJECTION
			mm	INCH																	
		4 PLACES	± ---	± ---																	
		3 PLACES	± ---	± ---																	
2 PLACES	± ---	± ---																			
1 PLACE	± ---	± ---																			
DRAFT WHERE APPLICABLE MUST REMAIN WITHIN DIMENSIONS			APPROVED BY: DATE:	TITLE SC CONNECTOR (TUNABLE)																	
MATERIAL NO. SEE TABLE			DOCUMENT NO. SD-106032-XXX0		SHEET NO. 3 OF 03																
SIZE B			THIS DRAWING CONTAINS INFORMATION THAT IS PROPRIETARY TO MOLEX INCORPORATED AND SHOULD NOT BE USED WITHOUT WRITTEN PERMISSION																		