



Chipsmall Limited consists of a professional team with an average of over 10 year of expertise in the distribution of electronic components. Based in Hongkong, we have already established firm and mutual-benefit business relationships with customers from,Europe,America and south Asia,supplying obsolete and hard-to-find components to meet their specific needs.

With the principle of “Quality Parts,Customers Priority,Honest Operation,and Considerate Service”,our business mainly focus on the distribution of electronic components. Line cards we deal with include Microchip,ALPS,ROHM,Xilinx,Pulse,ON,Everlight and Freescale. Main products comprise IC,Modules,Potentiometer,IC Socket,Relay,Connector.Our parts cover such applications as commercial,industrial, and automotives areas.

We are looking forward to setting up business relationship with you and hope to provide you with the best service and solution. Let us make a better world for our industry!



## Contact us

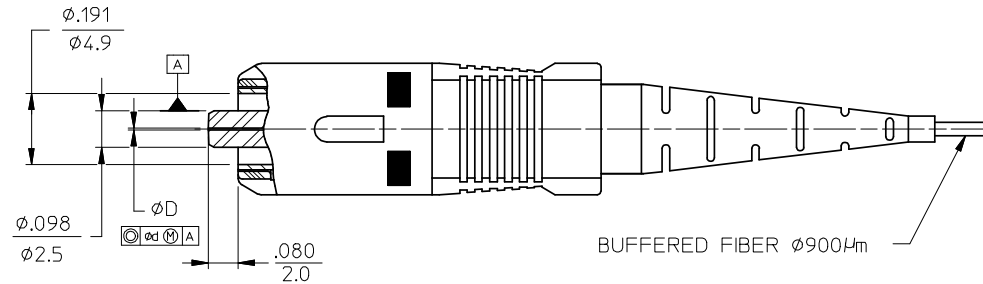
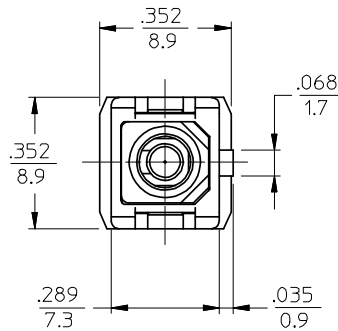
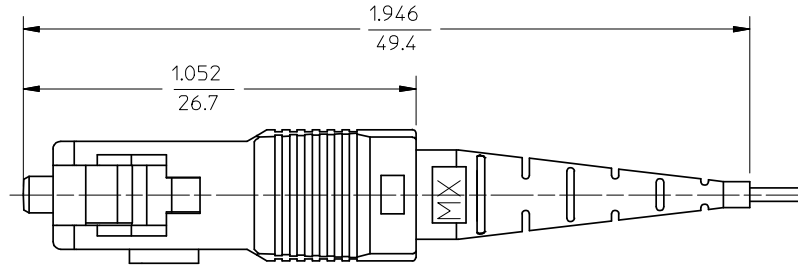
Tel: +86-755-8981 8866 Fax: +86-755-8427 6832

Email & Skype: info@chipsmall.com Web: www.chipsmall.com

Address: A1208, Overseas Decoration Building, #122 Zhenhua RD., Futian, Shenzhen, China



	13	12	11	10	9	8	7	6	5	4	3	2	1
	CONNECTOR P/N	øD (μm)	ød (μm)	BOOT COLOR	HOUSING COLOR	CONNECTOR TYPE							
J	106032-0500	127 $\begin{smallmatrix} +3.0 \\ -0.0 \end{smallmatrix}$	5.0	BLUE	BLUE	MULTIMODE							
	106032-0510			WHITE	BEIGE								
	106032-0560			BEIGE	BEIGE								
	106032-0570			BLACK	BLACK								
	106032-0580			RED	RED								
I	106032-2500	125.5 $\begin{smallmatrix} +1.0 \\ -0.0 \end{smallmatrix}$	1.0	YELLOW	BLUE	SINGLE MODE							
	106032-2510			WHITE	BLACK								
	106032-2570			BLACK	BLACK								
	106032-2580			RED	RED								
	106032-3500			BLUE	BLUE								
H	106032-3510	128 $\begin{smallmatrix} +2.0 \\ -0.0 \end{smallmatrix}$	3.0	WHITE	BEIGE	MULTIMODE							
	106032-3560			BEIGE	BEIGE								
	106032-3570			BLACK	BLACK								
	106032-3580			RED	RED								
	106032-5500			YELLOW	BLUE		SINGLE MODE						
106032-5520*	WHITE	BLACK											
106032-5510	BLACK	BLACK											
106032-5570	RED	RED											
106032-5580	YELLOW	BLUE											
G	106032-6500	125.5 $\begin{smallmatrix} +0.5 \\ -0.0 \end{smallmatrix}$	0.5	YELLOW	BLUE								
	106032-6510	WHITE	1.0	WHITE									
	106032-7500	YELLOW		YELLOW									
	106032-7510	WHITE		WHITE									



NOTES:

\*1. P/N 106032-5520 IS BULK PACKED IN QUANTITIES OF 100 PCS.

ENTER DESCRIPTION EC NO: MF2008-0420 DRWN:L.KATARZIENE 2008/04/01 CHKD: 2008/04/01 APPR:L.KATARZIENE 2008/04/01	QUALITY SYMBOLS	GENERAL TOLERANCES (UNLESS SPECIFIED)	DIMENSION STYLE	SCALE	DESIGN UNITS	THIRD ANGLE PROJECTION
	▽=0	mm INCH	IN/MM	4:1	INCH	
	▽=0	4 PLACES ±--- ±---	DRAWN BY DATE	TITLE		
		3 PLACES ±--- ±---	PGIBLIN 2005/09/15	SC BARE FIBER CONNECTOR (TUNABLE)		
	2 PLACES ±--- ±---	1 PLACE ±--- ±---	CHECKED BY DATE	APPROVED BY DATE		
	ANGULAR ±1/2°		MATERIAL NO.		DOCUMENT NO.	
	DRAFT WHERE APPLICABLE MUST REMAIN WITHIN DIMENSIONS		SEE TABLE		SD-106032-Y5Y0	
			SIZE		THIS DRAWING CONTAINS INFORMATION THAT IS PROPRIETARY TO MOLEX INCORPORATED AND SHOULD NOT BE USED WITHOUT WRITTEN PERMISSION	
					SHEET NO. 1 OF 1	