



Chipsmall Limited consists of a professional team with an average of over 10 year of expertise in the distribution of electronic components. Based in Hongkong, we have already established firm and mutual-benefit business relationships with customers from,Europe,America and south Asia,supplying obsolete and hard-to-find components to meet their specific needs.

With the principle of "Quality Parts,Customers Priority,Honest Operation,and Considerate Service",our business mainly focus on the distribution of electronic components. Line cards we deal with include Microchip,ALPS,ROHM,Xilinx,Pulse,ON,Everlight and Freescale. Main products comprise IC,Modules,Potentiometer,IC Socket,Relay,Connector.Our parts cover such applications as commercial,industrial, and automotives areas.

We are looking forward to setting up business relationship with you and hope to provide you with the best service and solution. Let us make a better world for our industry!



Contact us

Tel: +86-755-8981 8866 Fax: +86-755-8427 6832

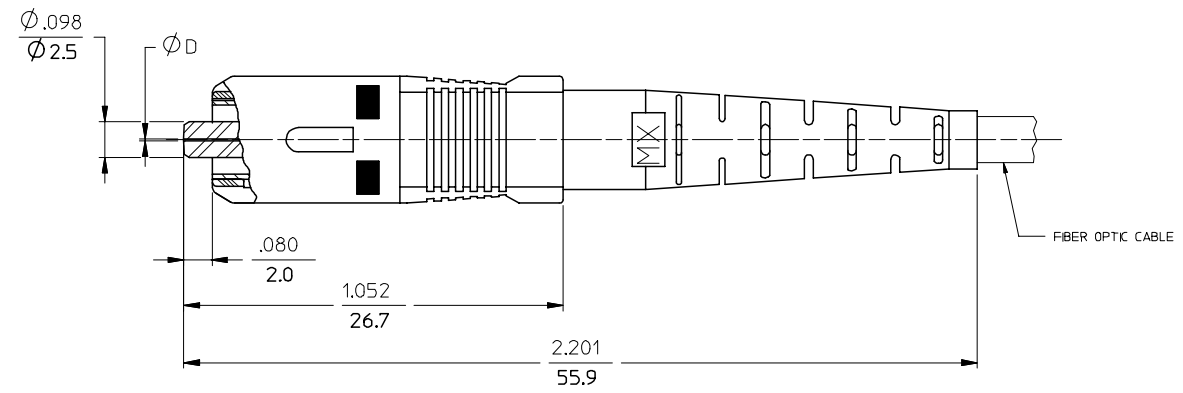
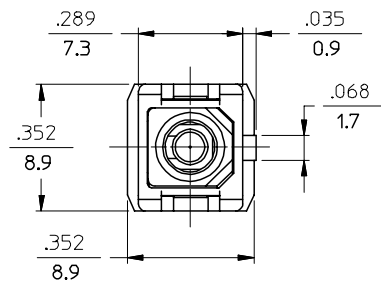
Email & Skype: info@chipsmall.com Web: www.chipsmall.com

Address: A1208, Overseas Decoration Building, #122 Zhenhua RD., Futian, Shenzhen, China



13 12 11 10 9 8 7 6 5 4 3 2 1

J
I
H
G
F
E
D
C
B
A



NOTES:
 1. ALL DIMENSIONS ARE FOR REFERENCE ONLY.
 *2. P/NS 106032-5020, 106032-0140, 106032-5310, 106032-5990 AND 106032-0910 ARE BULK PACKED IN QUANTITIES OF 100 pcs.

ENTER DESCRIPTION EC NO: MF2007-0445 DRAWN BY: RPACIFICI CHKD: RPACIFICI APPR: JGUMIN REVISIONS: 2007/01/12, 2007/01/15	QUALITY SYMBOLS ▽=0 ▽=0	GENERAL TOLERANCES (UNLESS SPECIFIED)		DIMENSION STYLE IN/MM	SCALE 4:1	DESIGN UNITS INCH	THIRD ANGLE PROJECTION				
		4 PLACES ± --- ± --- 3 PLACES ± --- ± --- 2 PLACES ± --- ± --- 1 PLACE ± --- ± ---	mm INCH	DRAWN BY: RPACIFICI CHECKED BY:	DATE: 2005/12/22	TITLE: SC CONNECTOR (TUNABLE)					
		ANGULAR ±1/2°		APPROVED BY:		DATE:		MOLEX INCORPORATED			
		DRAFT WHERE APPLICABLE MUST REMAIN WITHIN DIMENSIONS		MATERIAL NO. SEE TABLE		DOCUMENT NO. SD-106032-XXX0		SHEET NO. 1 OF 3			
B1		SIZE C		THIS DRAWING CONTAINS INFORMATION THAT IS PROPRIETARY TO MOLEX INCORPORATED AND SHOULD NOT BE USED WITHOUT WRITTEN PERMISSION							

12 11 10 9 8 7 6 5 4 3 2 1

10	9	8	7	6	5	4	3	2	1				
CONNECTOR P/N	∅ (Hm)	BOOT COLOR	HOUSING COLOR	CONNECTOR TYPE	CABLE (mm)	CONNECTOR P/N	∅ (Hm)	BOOT COLOR	HOUSING COLOR	CONNECTOR TYPE	CABLE (mm)		
106032-0000	127	BLUE	BLUE	MULTIMODE	3	106032-3000	128	BLUE	BLUE	MULTIMODE	3		
106032-0900					2.0 & 1.6 DUPLEX	106032-3900					2.0 & 1.6 DUPLEX		
106032-0100					1.6 SIMPLEX	106032-3100					1.6 SIMPLEX		
106032-0050					3	106032-3060					3		
106032-0950		WHITE	BEIGE		2.0 & 1.6 DUPLEX	106032-3960		2.0 & 1.6 DUPLEX					
106032-0150					1.6 SIMPLEX	106032-3160		1.6 SIMPLEX					
106032-0060					3	106032-3050		3					
106032-0910*					2.0 & 1.6 DUPLEX	106032-3950		2.0 & 1.6 DUPLEX					
106032-0960		BEIGE	BEIGE		1.6 SIMPLEX	106032-3150		1.6 SIMPLEX					
106032-0140*					3	106032-3080		3					
106032-0160					2.0 & 1.6 DUPLEX	106032-3980		2.0 & 1.6 DUPLEX					
106032-0080					1.6 SIMPLEX	106032-3180		1.6 SIMPLEX					
106032-0980	RED	RED	2.0 & 1.6 DUPLEX	106032-3070	3								
106032-0180			1.6 SIMPLEX	106032-3970	2.0 & 1.6 DUPLEX								
106032-0070			3	106032-3170	1.6 SIMPLEX								
106032-0970			2.0 & 1.6 DUPLEX										
106032-0170	1.6 SIMPLEX												
106032-2000	125.5	YELLOW	BLUE	SINGLE MODE	3								
106032-2900					2.0 & 1.6 DUPLEX								
106032-2100					1.6 SIMPLEX								
106032-2050					3								
106032-2950		WHITE	BEIGE		2.0 & 1.6 DUPLEX								
106032-2150					1.6 SIMPLEX								
106032-2080					3								
106032-2980					2.0 & 1.6 DUPLEX								
106032-2180		RED	RED		1.6 SIMPLEX								
106032-2070					3								
106032-2970					2.0 & 1.6 DUPLEX								
106032-2170					1.6 SIMPLEX								
	BLACK	BLACK											

ENTER DESCRIPTION EC NO: MF2007-0445 DRWNGKPEVNER 2007/01/12 CHKD: 2007/01/12 APPR: IGUMIN 2007/01/15 REV B1	QUALITY SYMBOLS	GENERAL TOLERANCES (UNLESS SPECIFIED)		DIMENSION STYLE IN/MM		SCALE 4:1	DESIGN UNITS INCH	THIRD ANGLE PROJECTION	
	▽=0	mm	INCH	DRAWN BY RPACIFICI	DATE 2005/12/22	TITLE SC CONNECTOR (TUNABLE)			
	▽=0	4 PLACES ± --- ± ---	3 PLACES ± --- ± ---	CHECKED BY	DATE	APPROVED BY			
		2 PLACES ± --- ± ---	1 PLACE ± --- ± ---	APPROVED BY		DATE	MATERIAL NO. SEE TABLE		
		ANGULAR ±1/2°		MATERIAL NO. SEE TABLE		DATE	DOCUMENT NO. SD-106032-XXX0		SHEET NO. 2 OF 3
	DRAFT WHERE APPLICABLE MUST REMAIN WITHIN DIMENSIONS		SIZE B		THIS DRAWING CONTAINS INFORMATION THAT IS PROPRIETARY TO MOLEX INCORPORATED AND SHOULD NOT BE USED WITHOUT WRITTEN PERMISSION				

10	9	8	7	6	5	4	3	2	1		
CONNECTOR P/N	Ø (Mm)	BOOT COLOR	HOUSING COLOR	CONNECTOR TYPE	CABLE (mm)	CONNECTOR P/N	Ø (Mm)	BOOT COLOR	HOUSING COLOR	CONNECTOR TYPE	CABLE (mm)
106032-4000	125	YELLOW	BLUE	SINGLE MODE	3	106032-6000	125.5	YELLOW	BLUE	SINGLE MODE	3
106032-4900					2.0 & 1.6 DUPLEX	106032-6900					2.0 & 1.6 DUPLEX
106032-4100					1.6 SIMPLEX	106032-6100					1.6 SIMPLEX
106032-4050					3	106032-7000					3
106032-4950					2.0 & 1.6 DUPLEX	106032-7900					2.0 & 1.6 DUPLEX
106032-4150					1.6 SIMPLEX	106032-7100					1.6 SIMPLEX
106032-4080		WHITE	RED		3	106032-7050	3				
106032-4980					2.0 & 1.6 DUPLEX	106032-7950	2.0 & 1.6 DUPLEX				
106032-4180					1.6 SIMPLEX	106032-7150	1.6 SIMPLEX				
106032-4070					3	106032-7080	3				
106032-4970					2.0 & 1.6 DUPLEX	106032-7980	2.0 & 1.6 DUPLEX				
106032-4170					1.6 SIMPLEX	106032-7180	1.6 SIMPLEX				
106032-5000	126	YELLOW	BLUE	3	106032-7070	127	WHITE	BLACK	SINGLE MODE	3	
106032-5020*				2.4	106032-7970					2.0 & 1.6 DUPLEX	
106032-5300				2.0 & 1.6 DUPLEX	106032-7170					1.6 SIMPLEX	
106032-5310*				1.6 SIMPLEX							
106032-5900				3							
106032-5990*				2.0 & 1.6 DUPLEX							
106032-5100		1.6 SIMPLEX									
106032-5050		WHITE	RED	3							
106032-5950				2.0 & 1.6 DUPLEX							
106032-5150				1.6 SIMPLEX							
106032-5080				3							
106032-5980				2.0 & 1.6 DUPLEX							
106032-5180	1.6 SIMPLEX										
106032-5070	BLACK	BLACK	3								
106032-5970			2.0 & 1.6 DUPLEX								
106032-5170			1.6 SIMPLEX								

ENTER DESCRIPTION EC NO: MF2007-0445 DRWNGKPEVNER 2007/01/12 CHKD: 2007/01/12 APPR: IGUMIN 2007/01/15 REV B1	DESCRIPTION QUALITY SYMBOLS ▽=0 ▽=0	GENERAL TOLERANCES (UNLESS SPECIFIED)		DIMENSION STYLE IN/MM		SCALE 4:1	DESIGN UNITS INCH	THIRD ANGLE PROJECTION		
		4 PLACES ± --- ± ---	3 PLACES ± --- ± ---	2 PLACES ± --- ± ---	1 PLACE ± --- ± ---	DRAWN BY RPACIFICI	DATE 2005/12/22	TITLE SC CONNECTOR (TUNABLE)		
		ANGULAR ±1/2°				CHECKED BY	DATE	APPROVED BY		
		DRAFT WHERE APPLICABLE MUST REMAIN WITHIN DIMENSIONS				MATERIAL NO. SEE TABLE		DOCUMENT NO. SD-106032-XXX0		SHEET NO. 3 OF 03