



Chipsmall Limited consists of a professional team with an average of over 10 year of expertise in the distribution of electronic components. Based in Hongkong, we have already established firm and mutual-benefit business relationships with customers from,Europe,America and south Asia,supplying obsolete and hard-to-find components to meet their specific needs.

With the principle of “Quality Parts,Customers Priority,Honest Operation,and Considerate Service”,our business mainly focus on the distribution of electronic components. Line cards we deal with include Microchip,ALPS,ROHM,Xilinx,Pulse,ON,Everlight and Freescale. Main products comprise IC,Modules,Potentiometer,IC Socket,Relay,Connector.Our parts cover such applications as commercial,industrial, and automotives areas.

We are looking forward to setting up business relationship with you and hope to provide you with the best service and solution. Let us make a better world for our industry!



Contact us

Tel: +86-755-8981 8866 Fax: +86-755-8427 6832

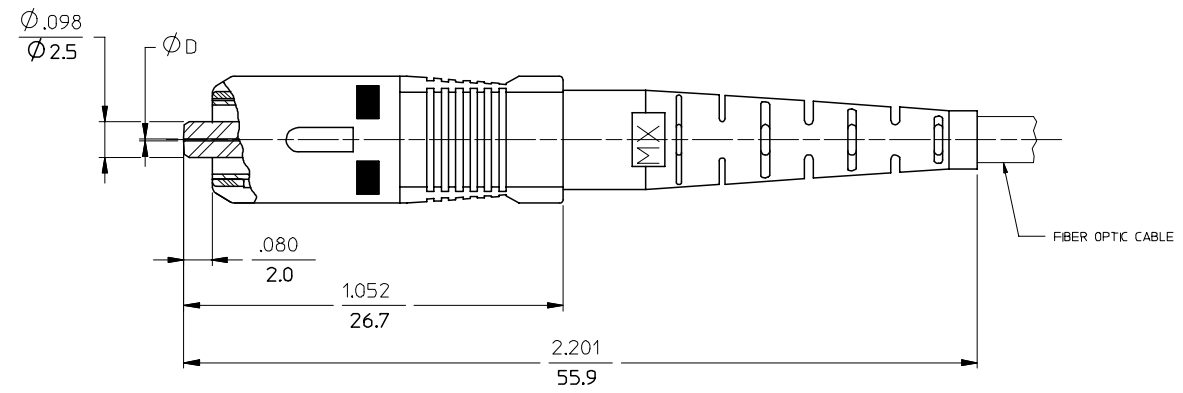
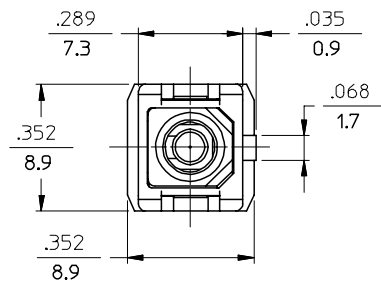
Email & Skype: info@chipsmall.com Web: www.chipsmall.com

Address: A1208, Overseas Decoration Building, #122 Zhenhua RD., Futian, Shenzhen, China



13 12 11 10 9 8 7 6 5 4 3 2 1

J
I
H
G
F
E
D
C
B
A



NOTES:
 1. ALL DIMENSIONS ARE FOR REFERENCE ONLY.
 *2. P/NS 106032-5020, 106032-0140, 106032-5310, 106032-5990 AND 106032-0910 ARE BULK PACKED IN QUANTITIES OF 100 pcs.

| | | | | | | | | | |
|--|-------------------------------|---|---------|---------------------------|--------------------------------|---------------------------------|------------------------|--|--|
| ENTER DESCRIPTION EC NO: MF2007-0445 DRAWN/REV: ZNER 2007/01/12 CHKD: 2007/01/12 APPR: JGUMIN 2007/01/15 B1 | QUALITY SYMBOLS ▽=0 ▽=0 | GENERAL TOLERANCES (UNLESS SPECIFIED) | | DIMENSION STYLE IN/MM | SCALE 4:1 | DESIGN UNITS INCH | THIRD ANGLE PROJECTION | | |
| | | 4 PLACES ± --- ± --- 3 PLACES ± --- ± --- 2 PLACES ± --- ± --- 1 PLACE ± --- ± --- | mm INCH | DRAWN BY RPACIFICI | DATE 2005/12/22 | TITLE SC CONNECTOR (TUNABLE) | | | |
| | | ANGULAR ±1/2° | | CHECKED BY | DATE | APPROVED BY | | | |
| | | DRAFT WHERE APPLICABLE MUST REMAIN WITHIN DIMENSIONS | | MATERIAL NO. SEE TABLE | DOCUMENT NO. SD-106032-XXX0 | SHEET NO. 1 OF 3 | | | |

12 11 10 9 8 7 6 5 4 3 2 1

| 10 | 9 | 8 | 7 | 6 | 5 | 4 | 3 | 2 | 1 | | |
|---------------|--------|------------|------------------|------------------|------------------|---------------|--------|------------------|---------------|----------------|------------------|
| CONNECTOR P/N | Ø (Hm) | BOOT COLOR | HOUSING COLOR | CONNECTOR TYPE | CABLE (mm) | CONNECTOR P/N | Ø (Hm) | BOOT COLOR | HOUSING COLOR | CONNECTOR TYPE | CABLE (mm) |
| 106032-0000 | 127 | BLUE | BLUE | MULTIMODE | 3 | 106032-3000 | 128 | BLUE | BLUE | MULTIMODE | 3 |
| 106032-0900 | | | | | 2.0 & 1.6 DUPLEX | 106032-3900 | | | | | 2.0 & 1.6 DUPLEX |
| 106032-0100 | | | | | 1.6 SIMPLEX | 106032-3100 | | | | | 1.6 SIMPLEX |
| 106032-0050 | | | | | 3 | 106032-3060 | | | | | 3 |
| 106032-0950 | | WHITE | BEIGE | | 2.0 & 1.6 DUPLEX | 106032-3960 | | 2.0 & 1.6 DUPLEX | | | |
| 106032-0150 | | | | | 1.6 SIMPLEX | 106032-3160 | | 1.6 SIMPLEX | | | |
| 106032-0060 | | | | | 3 | 106032-3050 | | 3 | | | |
| 106032-0910* | | | | | 2.0 & 1.6 DUPLEX | 106032-3950 | | 2.0 & 1.6 DUPLEX | | | |
| 106032-0960 | | BEIGE | BEIGE | | 1.6 SIMPLEX | 106032-3150 | | 1.6 SIMPLEX | | | |
| 106032-0140* | | | | | 3 | 106032-3080 | | 3 | | | |
| 106032-0160 | | | | | 2.0 & 1.6 DUPLEX | 106032-3980 | | 2.0 & 1.6 DUPLEX | | | |
| 106032-0080 | | | | | 1.6 SIMPLEX | 106032-3180 | | 1.6 SIMPLEX | | | |
| 106032-0980 | RED | RED | 2.0 & 1.6 DUPLEX | 106032-3070 | 3 | | | | | | |
| 106032-0180 | | | 1.6 SIMPLEX | 106032-3970 | 2.0 & 1.6 DUPLEX | | | | | | |
| 106032-0070 | | | 3 | 106032-3170 | 1.6 SIMPLEX | | | | | | |
| 106032-0970 | | | 2.0 & 1.6 DUPLEX | | | | | | | | |
| 106032-0170 | BLACK | BLACK | 1.6 SIMPLEX | | | | | | | | |
| 106032-2000 | | | 3 | | | | | | | | |
| 106032-2900 | | | 2.0 & 1.6 DUPLEX | | | | | | | | |
| 106032-2100 | | | 1.6 SIMPLEX | | | | | | | | |
| 106032-2050 | 125.5 | WHITE | BLUE | 3 | | | | | | | |
| 106032-2950 | | | | 2.0 & 1.6 DUPLEX | | | | | | | |
| 106032-2150 | | | | 1.6 SIMPLEX | | | | | | | |
| 106032-2080 | | | | 3 | | | | | | | |
| 106032-2980 | RED | RED | RED | 2.0 & 1.6 DUPLEX | | | | | | | |
| 106032-2180 | | | | 1.6 SIMPLEX | | | | | | | |
| 106032-2070 | | | | 3 | | | | | | | |
| 106032-2970 | | | | 2.0 & 1.6 DUPLEX | | | | | | | |
| 106032-2170 | BLACK | BLACK | BLACK | 1.6 SIMPLEX | | | | | | | |
| | | | | | | | | | | | |
| | | | | | | | | | | | |
| | | | | | | | | | | | |

| ENTER DESCRIPTION EC NO: MF2007-0445 DRWNGKPEVNER 2007/01/12 CHKD: 2007/01/12 APPR: IGUMIN 2007/01/15 REV B1 | QUALITY SYMBOLS ▽=0 ▽=0 | GENERAL TOLERANCES (UNLESS SPECIFIED) <table border="1"> <thead> <tr> <th></th> <th>mm</th> <th>INCH</th> </tr> </thead> <tbody> <tr> <td>4 PLACES</td> <td>± ---</td> <td>± ---</td> </tr> <tr> <td>3 PLACES</td> <td>± ---</td> <td>± ---</td> </tr> <tr> <td>2 PLACES</td> <td>± ---</td> <td>± ---</td> </tr> <tr> <td>1 PLACE</td> <td>± ---</td> <td>± ---</td> </tr> </tbody> </table> | | mm | INCH | 4 PLACES | ± --- | ± --- | 3 PLACES | ± --- | ± --- | 2 PLACES | ± --- | ± --- | 1 PLACE | ± --- | ± --- | DIMENSION STYLE IN/MM DRAWN BY: RPACIFICI DATE: 2005/12/22 CHECKED BY: DATE: | SCALE 4:1 DESIGN UNITS INCH | THIRD ANGLE PROJECTION |
|---|-------------------------------|--|---------------------------------|----|---------------------|----------|-------|-------|----------|-------|-------|----------|-------|-------|---------|-------|-------|---|--------------------------------------|------------------------|
| | | mm | INCH | | | | | | | | | | | | | | | | | |
| | 4 PLACES | ± --- | ± --- | | | | | | | | | | | | | | | | | |
| | 3 PLACES | ± --- | ± --- | | | | | | | | | | | | | | | | | |
| 2 PLACES | ± --- | ± --- | | | | | | | | | | | | | | | | | | |
| 1 PLACE | ± --- | ± --- | | | | | | | | | | | | | | | | | | |
| DRAFT WHERE APPLICABLE MUST REMAIN WITHIN DIMENSIONS | | APPROVED BY: DATE: | TITLE SC CONNECTOR (TUNABLE) | | | | | | | | | | | | | | | | | |
| | | MATERIAL NO. SEE TABLE | DOCUMENT NO. SD-106032-XXX0 | | SHEET NO. 2 OF 3 | | | | | | | | | | | | | | | |
| | | THIS DRAWING CONTAINS INFORMATION THAT IS PROPRIETARY TO MOLEX INCORPORATED AND SHOULD NOT BE USED WITHOUT WRITTEN PERMISSION | | | | | | | | | | | | | | | | | | |

| 10 | 9 | 8 | 7 | 6 | 5 | 4 | 3 | 2 | 1 | | |
|---------------|--------|------------|------------------|------------------|------------------|------------------|------------------|------------|---------------|------------------|------------------|
| CONNECTOR P/N | Ø (Mm) | BOOT COLOR | HOUSING COLOR | CONNECTOR TYPE | CABLE (mm) | CONNECTOR P/N | Ø (Mm) | BOOT COLOR | HOUSING COLOR | CONNECTOR TYPE | CABLE (mm) |
| 106032-4000 | 125 | YELLOW | BLUE | SINGLE MODE | 3 | 106032-6000 | 125.5 | YELLOW | BLUE | SINGLE MODE | 3 |
| 106032-4900 | | | | | 2.0 & 1.6 DUPLEX | 106032-6900 | | | | | 2.0 & 1.6 DUPLEX |
| 106032-4100 | | | | | 1.6 SIMPLEX | 106032-6100 | | | | | 1.6 SIMPLEX |
| 106032-4050 | | | | | 3 | 106032-7000 | | | | | 3 |
| 106032-4950 | | | | | 2.0 & 1.6 DUPLEX | 106032-7900 | | | | | 2.0 & 1.6 DUPLEX |
| 106032-4150 | | | | | 1.6 SIMPLEX | 106032-7100 | | | | | 1.6 SIMPLEX |
| 106032-4080 | | WHITE | RED | | 3 | 106032-7050 | 3 | | | | |
| 106032-4980 | | | | | 2.0 & 1.6 DUPLEX | 106032-7950 | 2.0 & 1.6 DUPLEX | | | | |
| 106032-4180 | | | | | 1.6 SIMPLEX | 106032-7150 | 1.6 SIMPLEX | | | | |
| 106032-4070 | | | | | 3 | 106032-7080 | 3 | | | | |
| 106032-4970 | | | | | 2.0 & 1.6 DUPLEX | 106032-7980 | 2.0 & 1.6 DUPLEX | | | | |
| 106032-4170 | | | | | 1.6 SIMPLEX | 106032-7180 | 1.6 SIMPLEX | | | | |
| 106032-5000 | 126 | YELLOW | BLUE | 3 | 106032-7070 | 127 | WHITE | BLACK | SINGLE MODE | 3 | |
| 106032-5020* | | | | 2.4 | 106032-7970 | | | | | 2.0 & 1.6 DUPLEX | |
| 106032-5300 | | | | 1.6 SIMPLEX | 106032-7170 | | | | | 1.6 SIMPLEX | |
| 106032-5310* | | | | 3 | 106032-7070 | | | | | 3 | |
| 106032-5900 | | | | 2.0 & 1.6 DUPLEX | 106032-7970 | | | | | 2.0 & 1.6 DUPLEX | |
| 106032-5990* | | | | 1.6 SIMPLEX | 106032-7170 | | | | | 1.6 SIMPLEX | |
| 106032-5100 | | WHITE | RED | 3 | 106032-5000 | 3 | | | | | |
| 106032-5050 | | | | 2.0 & 1.6 DUPLEX | 106032-5000 | 2.0 & 1.6 DUPLEX | | | | | |
| 106032-5950 | | | | 1.6 SIMPLEX | 106032-5000 | 1.6 SIMPLEX | | | | | |
| 106032-5150 | | | | 3 | 106032-5000 | 3 | | | | | |
| 106032-5080 | | | | 2.0 & 1.6 DUPLEX | 106032-5000 | 2.0 & 1.6 DUPLEX | | | | | |
| 106032-5980 | | | | 1.6 SIMPLEX | 106032-5000 | 1.6 SIMPLEX | | | | | |
| 106032-5180 | BLACK | BLACK | 3 | 106032-5000 | 3 | | | | | | |
| 106032-5070 | | | 2.0 & 1.6 DUPLEX | 106032-5000 | 2.0 & 1.6 DUPLEX | | | | | | |
| 106032-5970 | | | 1.6 SIMPLEX | 106032-5000 | 1.6 SIMPLEX | | | | | | |
| 106032-5170 | | | 3 | 106032-5000 | 3 | | | | | | |
| 106032-5000 | | | 2.0 & 1.6 DUPLEX | 106032-5000 | 2.0 & 1.6 DUPLEX | | | | | | |
| 106032-5170 | | | 1.6 SIMPLEX | 106032-5000 | 1.6 SIMPLEX | | | | | | |

| | | | | | | | | | | |
|---|--|---------------------------------------|----------------------|---|---------------------|---------------------------------|----------------------|------------------------|--|--|
| ENTER DESCRIPTION EC NO: MF2007-0445 DRWNGKPEVNER 2007/01/12 CHKD: 2007/01/12 APPR: IGUMIN 2007/01/15 REV B1 | DESCRIPTION QUALITY SYMBOLS ▽=0 ▽=0 | GENERAL TOLERANCES (UNLESS SPECIFIED) | | DIMENSION STYLE IN/MM | | SCALE 4:1 | DESIGN UNITS INCH | THIRD ANGLE PROJECTION | | |
| | | mm | INCH | DRAWN BY RPACIFICI | DATE 2005/12/22 | TITLE SC CONNECTOR (TUNABLE) | | | | |
| | | 4 PLACES ± --- ± --- | 3 PLACES ± --- ± --- | 2 PLACES ± --- ± --- | 1 PLACE ± --- ± --- | CHECKED BY | DATE | APPROVED BY | | |
| | | ANGULAR ±1/2° | | MATERIAL NO. SEE TABLE | | DOCUMENT NO. SD-106032-XXX0 | | SHEET NO. 3 OF 03 | | |
| DRAFT WHERE APPLICABLE MUST REMAIN WITHIN DIMENSIONS | | | | THIS DRAWING CONTAINS INFORMATION THAT IS PROPRIETARY TO MOLEX INCORPORATED AND SHOULD NOT BE USED WITHOUT WRITTEN PERMISSION | | | | | | |