



Chipsmall Limited consists of a professional team with an average of over 10 year of expertise in the distribution of electronic components. Based in Hongkong, we have already established firm and mutual-benefit business relationships with customers from,Europe,America and south Asia,supplying obsolete and hard-to-find components to meet their specific needs.

With the principle of “Quality Parts,Customers Priority,Honest Operation,and Considerate Service”,our business mainly focus on the distribution of electronic components. Line cards we deal with include Microchip,ALPS,ROHM,Xilinx,Pulse,ON,Everlight and Freescale. Main products comprise IC,Modules,Potentiometer,IC Socket,Relay,Connector.Our parts cover such applications as commercial,industrial, and automotives areas.

We are looking forward to setting up business relationship with you and hope to provide you with the best service and solution. Let us make a better world for our industry!



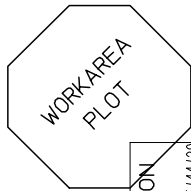
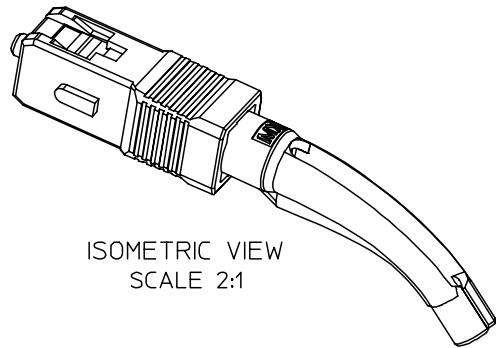
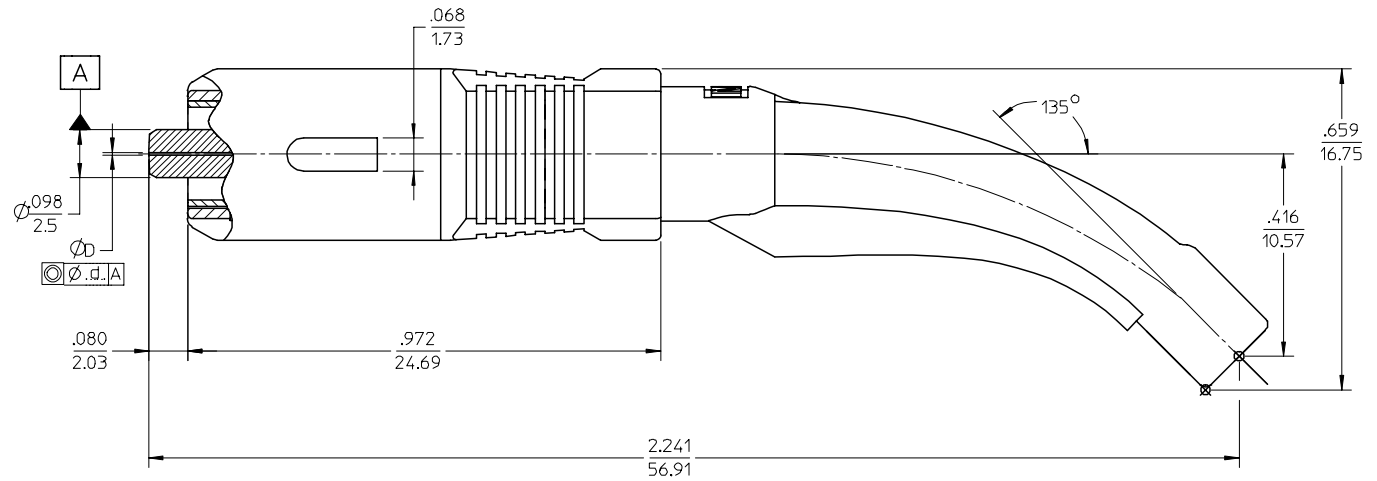
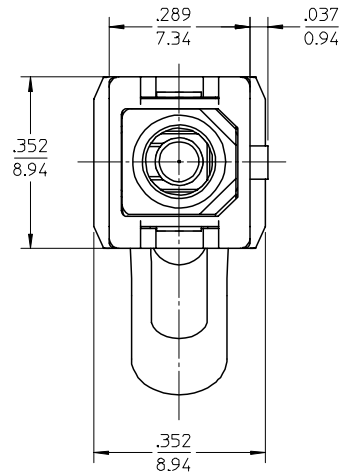
## Contact us

Tel: +86-755-8981 8866 Fax: +86-755-8427 6832

Email & Skype: info@chipsmall.com Web: www.chipsmall.com

Address: A1208, Overseas Decoration Building, #122 Zhenhua RD., Futian, Shenzhen, China





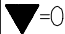
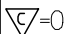
- NOTES:  
1. ALL DIMENSIONS ARE FOR REFERENCE ONLY.  
2. DUST CAP IS NOT SHOWN.

ENTER DESCRIPTION EC NO: MF2006-0338 DRWN:PGIBLIN CHKD: APPR:IGUMIN REV A	2005/11/29 2005/11/29 2005/11/29	QUALITY SYMBOLS ▽=0 ▽=0	GENERAL TOLERANCES (UNLESS SPECIFIED)		DIMENSION STYLE IN/MM	SCALE 4:1	DESIGN UNITS INCH	THIRD ANGLE PROJECTION		
				mm	INCH	DRAWN BY PGIBLIN	DATE 2005/11/15	TITLE SC TUNABLE CONNECTOR 45 DEGREE BOOT		
				4 PLACES ± --- ± ---	3 PLACES ± --- ± ---	CHECKED BY	DATE			
				2 PLACES ± --- ± ---	1 PLACE ± --- ± ---	APPROVED BY	DATE	MOLEX INCORPORATED		
DRAFT WHERE APPLICABLE MUST REMAIN WITHIN DIMENSIONS			ANGULAR ±1/2°		MATERIAL NO. SEE TABLE	DOCUMENT NO. SD-106032-XXXX	SHEET NO. 1 OF 2			
THIS DRAWING CONTAINS INFORMATION THAT IS PROPRIETARY TO MOLEX INCORPORATED AND SHOULD NOT BE USED WITHOUT WRITTEN PERMISSION										

10	9	8	7	6	5	4	3	2	106032																				
CONNECTOR P/N	$\phi_D$ ( $\mu\text{m}$ )	$\phi_d$ ( $\mu\text{m}$ )	BOOT COLOR	HOUSING COLOR	CABLE $\phi$ (mm)	CABLE TYPE	CONNECTOR P/N	$\phi_D$ ( $\mu\text{m}$ )	$\phi_d$ ( $\mu\text{m}$ )	BOOT COLOR	HOUSING COLOR	CABLE $\phi$ (mm)	CABLE TYPE																
106032-4115	125 $^{+0.5}_0$	1	YELLOW	BLUE	3	SINGLE MODE	106032-3115	128 $^{+2}_0$	3	BEIGE	BEIGE	3	MULTIMODE																
106032-4125					2 AND 1.6 ZIPCORD		106032-3125					2 AND 1.6 ZIPCORD																	
106032-4130					1.6		106032-3130					1.6																	
106032-2115	125.5 $^{+1}_0$				5		BEIGE	BEIGE	3	SINGLE MODE	106032-4145	125 $^{+0.5}_0$	1	WHITE	BLUE	3	SINGLE MODE												
106032-2125									2 AND 1.6 ZIPCORD		106032-4165					2 AND 1.6 ZIPCORD													
106032-2130									1.6		106032-4175					1.6													
106032-5115	126 $^{+1}_0$								5		BEIGE	BEIGE	3	SINGLE MODE	106032-2145	125.5 $^{+1}_0$	1	WHITE	BLUE	3	SINGLE MODE								
106032-5125													2 AND 1.6 ZIPCORD		106032-2165					2 AND 1.6 ZIPCORD									
106032-5135													1.6		106032-2175					1.6									
106032-7115	127 $^{+1}_0$												5		BEIGE	BEIGE	3	SINGLE MODE	106032-5195	126 $^{+1}_0$	1	WHITE	BLUE	3	SINGLE MODE				
106032-7125																	2 AND 1.6 ZIPCORD		106032-5165					2 AND 1.6 ZIPCORD					
106032-7130																	1.6		106032-5175					1.6					
106032-0115	127 $^{+3}_0$																5		BEIGE	BEIGE	3	MULTIMODE	106032-7145	127 $^{+1}_0$	1	WHITE	BLUE	3	SINGLE MODE
106032-0125																					2 AND 1.6 ZIPCORD		106032-7165					2 AND 1.6 ZIPCORD	
106032-0130																					1.6		106032-7175					1.6	

WORK AREA  
PLOT

ENTER DESCRIPTION  
 EC NO: MF2006-0338  
 DRWN: PGIBLIN 2005/11/29  
 CHKD: 2005/11/29  
 APPR: IGUMIN 2005/11/29  
 A

QUALITY SYMBOLS  
 =0  
 =0

GENERAL TOLERANCES (UNLESS SPECIFIED)

	mm	INCH
4 PLACES	±----	±----
3 PLACES	±----	±----
2 PLACES	±----	±----
1 PLACE	±----	±----

ANGULAR ±1/2°

DRAFT WHERE APPLICABLE  
MUST REMAIN WITHIN DIMENSIONS

DIMENSION STYLE  
IN/MM

SCALE  
1:1

DESIGN UNITS  
INCH

THIRD ANGLE PROJECTION

DRAWN BY  
PGIBLIN

DATE  
2005/11/15

CHECKED BY

DATE

APPROVED BY

DATE

MATERIAL NO.  
SEE TABLE

DOCUMENT NO.  
SD-106032-XXXX

SHEET NO.  
2 OF 2

SIZE  
B

THIS DRAWING CONTAINS INFORMATION THAT IS PROPRIETARY TO MOLEX INCORPORATED AND SHOULD NOT BE USED WITHOUT WRITTEN PERMISSION

TITLE  
SC TUNABLE CONNECTOR  
45 DEGREE BOOT

MOLEX INCORPORATED