



Chipsmall Limited consists of a professional team with an average of over 10 year of expertise in the distribution of electronic components. Based in Hongkong, we have already established firm and mutual-benefit business relationships with customers from,Europe,America and south Asia,supplying obsolete and hard-to-find components to meet their specific needs.

With the principle of “Quality Parts,Customers Priority,Honest Operation,and Considerate Service”,our business mainly focus on the distribution of electronic components. Line cards we deal with include Microchip,ALPS,ROHM,Xilinx,Pulse,ON,Everlight and Freescale. Main products comprise IC,Modules,Potentiometer,IC Socket,Relay,Connector.Our parts cover such applications as commercial,industrial, and automotives areas.

We are looking forward to setting up business relationship with you and hope to provide you with the best service and solution. Let us make a better world for our industry!



Contact us

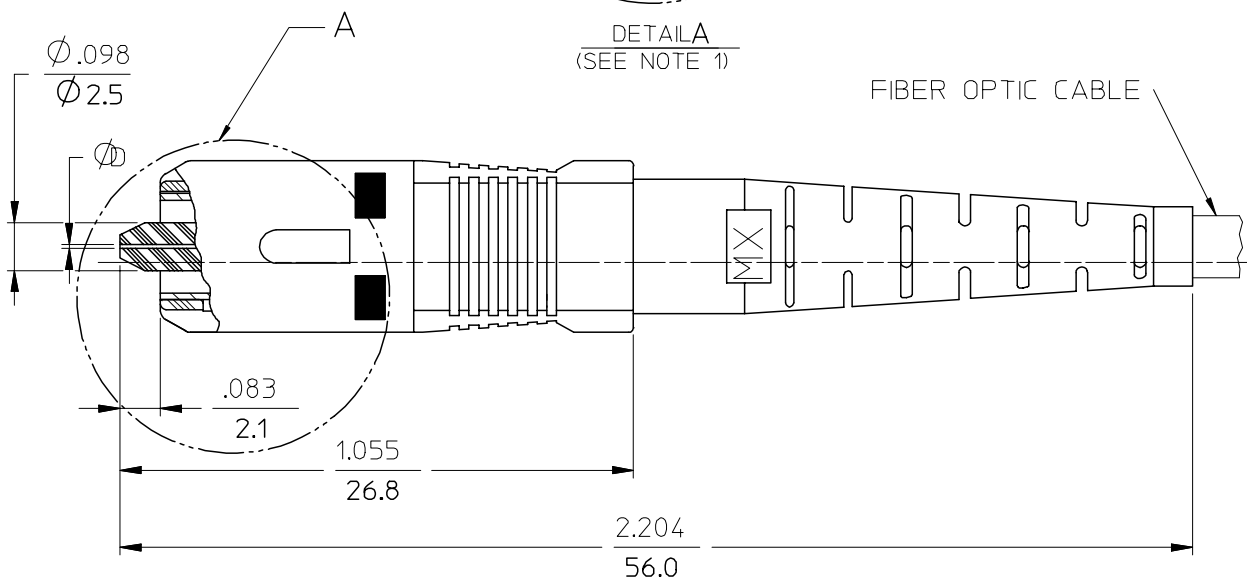
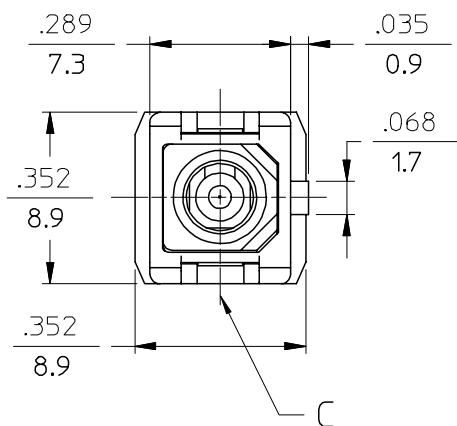
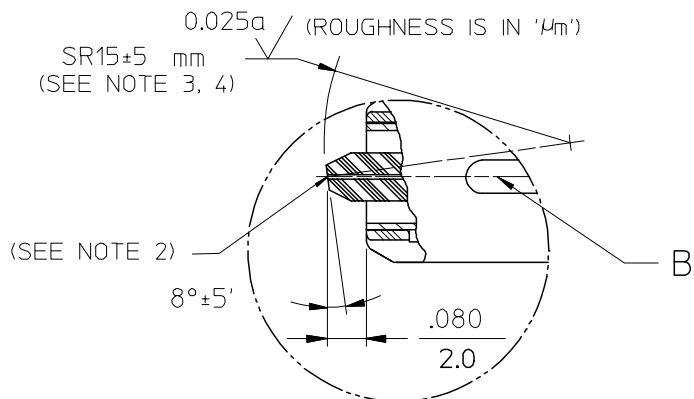
Tel: +86-755-8981 8866 Fax: +86-755-8427 6832

Email & Skype: info@chipsmall.com Web: www.chipsmall.com

Address: A1208, Overseas Decoration Building, #122 Zhenhua RD., Futian, Shenzhen, China



CONNECTOR P/N	ØD (µm)	FIBER OPTIC CABLE SIZE(mm)
106033-2000	125.5 $\begin{smallmatrix} +1.0 \\ -0.0 \end{smallmatrix}$	3.0
106033-2100		1.6 SIMPLEX
106033-2900		2.0&1.6 DUPLEX
106033-4000	125.0 $\begin{smallmatrix} +1.0 \\ -0.0 \end{smallmatrix}$	3.0
106033-4100		1.6 SIMPLEX
106033-4900		2.0&1.6 DUPLEX
106033-5000	126.0 $\begin{smallmatrix} +1.0 \\ -0.0 \end{smallmatrix}$	3.0
106033-5100		1.6 SIMPLEX
106033-5900		2.0&1.6 DUPLEX



- NOTES:
1. ANGLE POLISHING IS ACCOMPLISHED AFTER CONNECTOR IS TERMINATED WITH FIBER AND TUNED.
 2. FIBER EXTENSION SHALL BE ±50nm.
 3. THE APEX OFFSET OF THE SPHERICAL ENDFACE TO THE AXIS OF THE FERRULE SHALL BE LESS THAN 50 µm.
 4. CENTER OF SR 15±5 mm MUST LIE IN THE PLANE FORMED BY AXES 'B' AND 'C', MAXIMUM DEVIATION ±.05 mm.

ENTER DESCRIPTION		QUALITY SYMBOLS		GENERAL TOLERANCES (UNLESS SPECIFIED)		DIMENSION STYLE INCH ONLY		SCALE 4:1		DESIGN UNITS INCH		THIRD ANGLE PROJECTION	
EC NO: MF2006-0217	2005/12/06	DRW: NPG/BLN	2005/12/06	CHKD: LGUMIN	2005/12/06	APPR: LGUMIN	2005/12/06	4 PLACES	±	---	±	---	SC APC CONNECTOR (TUNABLE)
DRAWN BY: RPACIFIC		DATE: 2005/09/29		CHECKED BY:		DATE:		APPROVED BY:		DATE:		MATERIAL NO. SEE TABLE	
DRAWN BY: RPACIFIC		DATE: 2005/09/29		CHECKED BY:		DATE:		APPROVED BY:		DATE:			
DRAWN BY: RPACIFIC		DATE: 2005/09/29		CHECKED BY:		DATE:		APPROVED BY:		DATE:		SHEET NO. 1 OF 01	
DRAWN BY: RPACIFIC		DATE: 2005/09/29		CHECKED BY:		DATE:		APPROVED BY:		DATE:			