



Chipsmall Limited consists of a professional team with an average of over 10 year of expertise in the distribution of electronic components. Based in Hongkong, we have already established firm and mutual-benefit business relationships with customers from,Europe,America and south Asia,supplying obsolete and hard-to-find components to meet their specific needs.

With the principle of "Quality Parts,Customers Priority,Honest Operation,and Considerate Service",our business mainly focus on the distribution of electronic components. Line cards we deal with include Microchip,ALPS,ROHM,Xilinx,Pulse,ON,Everlight and Freescale. Main products comprise IC,Modules,Potentiometer,IC Socket,Relay,Connector.Our parts cover such applications as commercial,industrial, and automotives areas.

We are looking forward to setting up business relationship with you and hope to provide you with the best service and solution. Let us make a better world for our industry!



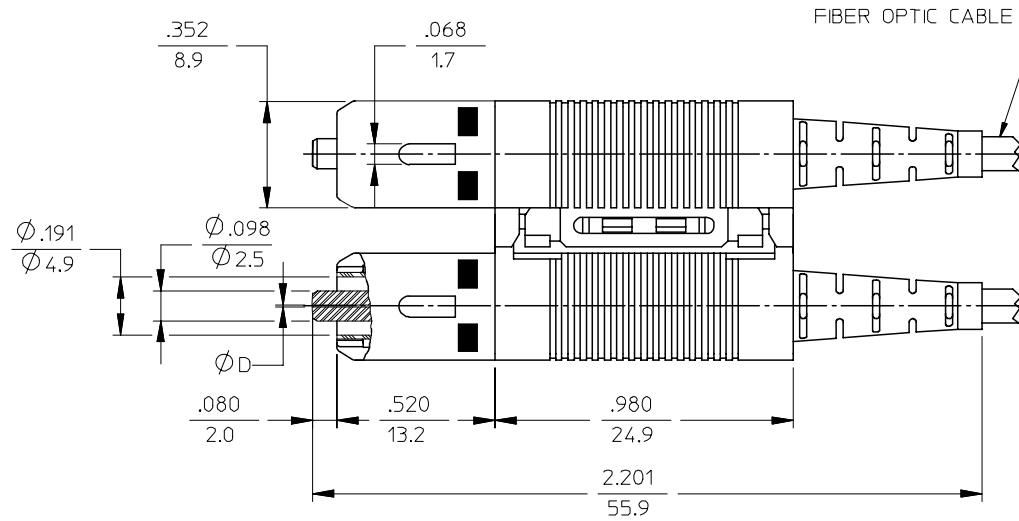
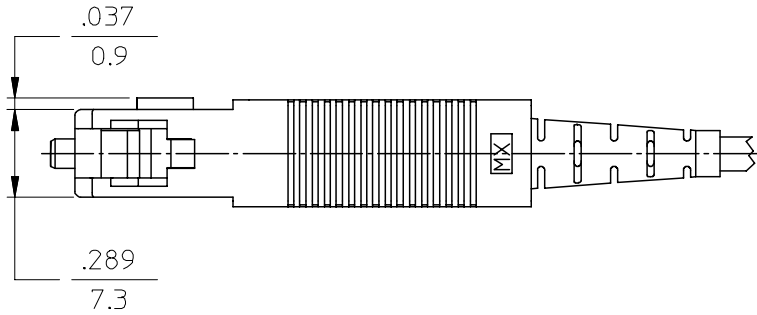
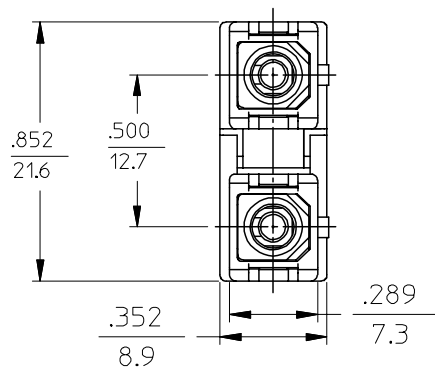
Contact us

Tel: +86-755-8981 8866 Fax: +86-755-8427 6832

Email & Skype: info@chipsmall.com Web: www.chipsmall.com

Address: A1208, Overseas Decoration Building, #122 Zhenhua RD., Futian, Shenzhen, China





ENTER DESCRIPTION EC NO: MF2006-0318 DRWNL: SADAUSKIENE 2005/11/17 CHKD: I.GUMIN 2005/11/18 APPR: I.GUMIN 2005/11/18 REV A	QUALITY SYMBOLS ▽=0 ▽=0	GENERAL TOLERANCES (UNLESS SPECIFIED) <table border="1"> <thead> <tr> <th></th> <th>mm</th> <th>INCH</th> </tr> </thead> <tbody> <tr> <td>4 PLACES</td> <td>± .005</td> <td>± .0002</td> </tr> <tr> <td>3 PLACES</td> <td>± .004</td> <td>± .00015</td> </tr> <tr> <td>2 PLACES</td> <td>± .003</td> <td>± .0001</td> </tr> <tr> <td>1 PLACE</td> <td>± .002</td> <td>± .000075</td> </tr> </tbody> </table>		mm	INCH	4 PLACES	± .005	± .0002	3 PLACES	± .004	± .00015	2 PLACES	± .003	± .0001	1 PLACE	± .002	± .000075	DIMENSION STYLE IN/MM	SCALE 4:1	DESIGN UNITS INCH	THIRD ANGLE PROJECTION
		mm	INCH																		
	4 PLACES	± .005	± .0002																		
	3 PLACES	± .004	± .00015																		
2 PLACES	± .003	± .0001																			
1 PLACE	± .002	± .000075																			
		DRAWN BY RPACIFIC1	DATE 2005/10/04	TITLE SC FIBER CHANNEL DUPLEX CONNECTOR																	
		CHECKED BY I.GUMIN	DATE 2005/11/15	MOLEX INCORPORATED																	
		APPROVED BY I.GUMIN		MATERIAL NO. SEE TABLE	DOCUMENT NO. SD-106034-XXX0	SHEET NO. 1 OF 02															

	13	12	11	10	9	8	7	6	5	4	3	2	1	
	CONNECTOR P/N	ØD Hm	HOUSING COLOR	BOOT COLOR	CONNECTOR TYPE	FIBER OPTIC CABLE SIZE (mm)								
J	106034-0000	127 $\begin{smallmatrix} +3.0 \\ -0.0 \end{smallmatrix}$	BEIGE	BEIGE	MULTIMODE	3.0		J						
	106034-0900					2.0&1.6 DUPLEX								
	106034-0100					1.6 SMPLEX								
	106034-0070					3.0								
I	106034-0970		127 $\begin{smallmatrix} +3.0 \\ -0.0 \end{smallmatrix}$	BLACK		BLACK	MULTIMODE	2.0&1.6 DUPLEX		I				
	106034-0170							1.6 SMPLEX						
	106034-0080							3.0						
	106034-0980							2.0&1.6 DUPLEX						
H	106034-0180	125.5 $\begin{smallmatrix} +1.0 \\ -0.0 \end{smallmatrix}$		RED	RED	SINGLE MODE		1.6 SMPLEX		H				
	106034-2000							3.0						
	106034-2900							2.0&1.6 DUPLEX						
	106034-2100							1.6 SMPLEX						
G	106034-3000		128 $\begin{smallmatrix} +2.0 \\ -0.0 \end{smallmatrix}$	BEIGE	BEIGE		MULTIMODE	3.0		G				
	106034-3900				YELLOW			2.0&1.6 DUPLEX						
	106034-3910				WHITE			1.6 SMPLEX						
	106034-3920				BEIGE			3.0						
F	106034-3100	126 $\begin{smallmatrix} +1.0 \\ -0.0 \end{smallmatrix}$		BLACK	BLACK	SINGLE MODE		2.0&1.6 DUPLEX		F				
	106034-3070							1.6 SMPLEX						
	106034-3970							3.0						
	106034-3170							2.0&1.6 DUPLEX						
E	106034-3080		125.5 $\begin{smallmatrix} +0.5 \\ -0.0 \end{smallmatrix}$	RED	RED		SINGLE MODE	1.6 SMPLEX		E				
	106034-3980							3.0						
	106034-3180							2.0&1.6 DUPLEX						
	106034-5000							1.6 SMPLEX						
D	106034-5900	125.5 $\begin{smallmatrix} +0.5 \\ -0.0 \end{smallmatrix}$		BLUE	BLUE	SINGLE MODE		2.0&1.6 DUPLEX		D				
	106034-5100							3.0						
	106034-6000							1.6 SMPLEX						
	106034-6900							2.0&1.6 DUPLEX						
C	106034-6100		125.5 $\begin{smallmatrix} +0.5 \\ -0.0 \end{smallmatrix}$				SINGLE MODE	1.6 SMPLEX		C				
								3.0						
								2.0&1.6 DUPLEX						
								1.6 SMPLEX						
B		125.5 $\begin{smallmatrix} +0.5 \\ -0.0 \end{smallmatrix}$				SINGLE MODE		3.0		B				
								2.0&1.6 DUPLEX						
								1.6 SMPLEX						
								3.0						
A			125.5 $\begin{smallmatrix} +0.5 \\ -0.0 \end{smallmatrix}$				SINGLE MODE	2.0&1.6 DUPLEX		A				
								1.6 SMPLEX						
								3.0						
								2.0&1.6 DUPLEX						

ENTER DESCRIPTION EC NO: MF2006-0318 DRAWN: SADASKI/ENE 2005/11/17 CHKD: 2005/11/18 APPR: I.GUMIN 2005/11/18 REVISIONS A	QUALITY SYMBOLS 	GENERAL TOLERANCES (UNLESS SPECIFIED)		DIMENSION STYLE IN/MM		SCALE 4:1	DESIGN UNITS INCH	THIRD ANGLE PROJECTION	
		4 PLACES ± --- ± ---	mm INCH	DRAWN BY RPACIFICI	DATE 2005/10/04	TITLE SC FIBER CHANNEL DUPLEX CONNECTOR			
		3 PLACES ± --- ± ---		CHECKED BY DATE					
		2 PLACES ± --- ± ---		APPROVED BY I.GUMIN		DATE 2005/11/15	MOLEX INCORPORATED		SHEET NO. 2 OF 02
1 PLACE ± --- ± ---		ANGULAR ±1/2°		MATERIAL NO. SEE TABLE		DOCUMENT NO. SD-106034-XXX0			
DRAFT WHERE APPLICABLE MUST REMAIN WITHIN DIMENSIONS		SIZE 		THIS DRAWING CONTAINS INFORMATION THAT IS PROPRIETARY TO MOLEX INCORPORATED AND SHOULD NOT BE USED WITHOUT WRITTEN PERMISSION					