



Chipsmall Limited consists of a professional team with an average of over 10 year of expertise in the distribution of electronic components. Based in Hongkong, we have already established firm and mutual-benefit business relationships with customers from,Europe,America and south Asia,supplying obsolete and hard-to-find components to meet their specific needs.

With the principle of “Quality Parts,Customers Priority,Honest Operation,and Considerate Service”,our business mainly focus on the distribution of electronic components. Line cards we deal with include Microchip,ALPS,ROHM,Xilinx,Pulse,ON,Everlight and Freescale. Main products comprise IC,Modules,Potentiometer,IC Socket,Relay,Connector.Our parts cover such applications as commercial,industrial, and automotives areas.

We are looking forward to setting up business relationship with you and hope to provide you with the best service and solution. Let us make a better world for our industry!



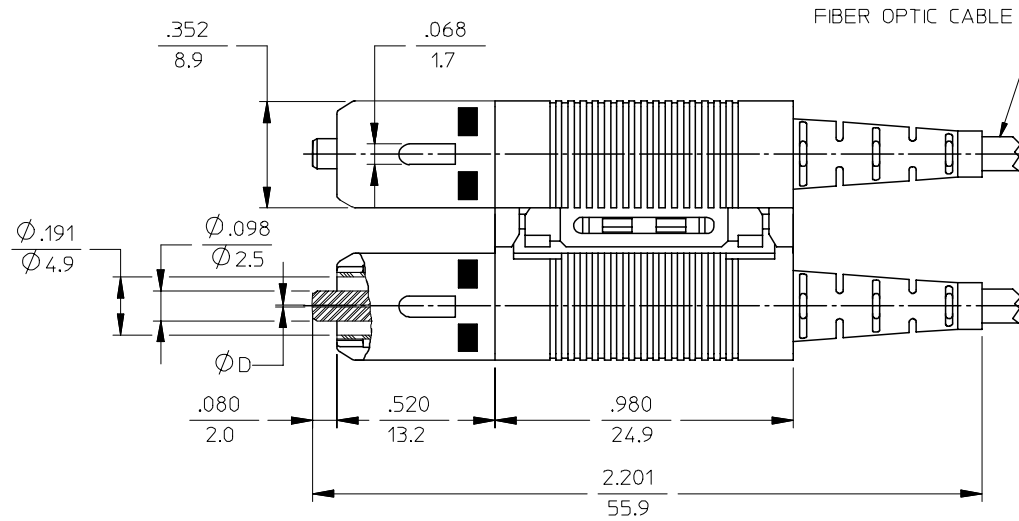
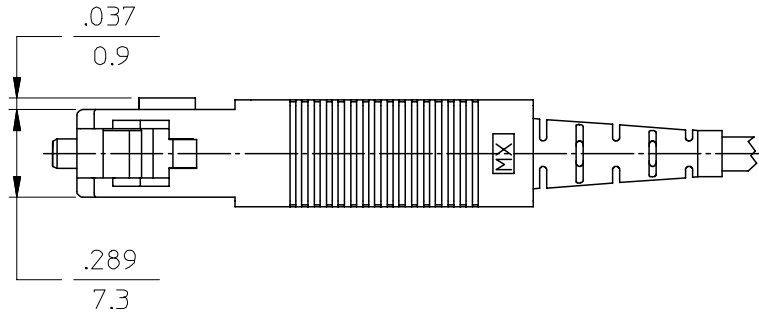
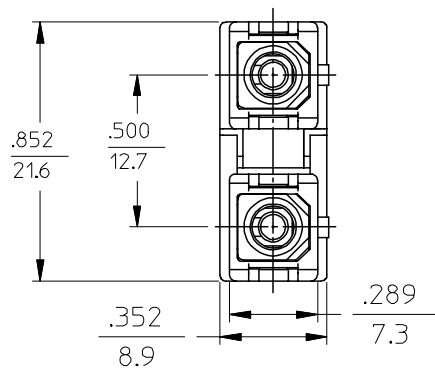
Contact us

Tel: +86-755-8981 8866 Fax: +86-755-8427 6832

Email & Skype: info@chipsmall.com Web: www.chipsmall.com

Address: A1208, Overseas Decoration Building, #122 Zhenhua RD., Futian, Shenzhen, China





ENTER DESCRIPTION EC NO: MF2006-0318 DRWNL: SADAUSKI ENE 2005/11/17 CHKD: 2005/11/18 APPR: I.GUMIN 2005/11/18 REV A	QUALITY SYMBOLS ▽=0 ▽=0	GENERAL TOLERANCES (UNLESS SPECIFIED) <table border="1"> <thead> <tr> <th></th> <th>mm</th> <th>INCH</th> </tr> </thead> <tbody> <tr> <td>4 PLACES</td> <td>± .005</td> <td>± .0005</td> </tr> <tr> <td>3 PLACES</td> <td>± .004</td> <td>± .0004</td> </tr> <tr> <td>2 PLACES</td> <td>± .003</td> <td>± .0003</td> </tr> <tr> <td>1 PLACE</td> <td>± .002</td> <td>± .0002</td> </tr> </tbody> </table>		mm	INCH	4 PLACES	± .005	± .0005	3 PLACES	± .004	± .0004	2 PLACES	± .003	± .0003	1 PLACE	± .002	± .0002	DIMENSION STYLE IN/MM DRAWN BY: RPACIFIC I DATE: 2005/10/04 CHECKED BY: DATE:	SCALE 4:1 DESIGN UNITS INCH	THIRD ANGLE PROJECTION
		mm	INCH																	
	4 PLACES	± .005	± .0005																	
	3 PLACES	± .004	± .0004																	
2 PLACES	± .003	± .0003																		
1 PLACE	± .002	± .0002																		
DRAFT WHERE APPLICABLE MUST REMAIN WITHIN DIMENSIONS	APPROVED BY: I.GUMIN DATE: 2005/11/15 MATERIAL NO. SEE TABLE	TITLE SC FIBER CHANNEL DUPLEX CONNECTOR	MOLEX INCORPORATED	SHEET NO. 1 OF 02																
			THIS DRAWING CONTAINS INFORMATION THAT IS PROPRIETARY TO MOLEX INCORPORATED AND SHOULD NOT BE USED WITHOUT WRITTEN PERMISSION																	

	13	12	11	10	9	8	7	6	5	4	3	2	1		
	CONNECTOR P/N	ØD Hm	HOUSING COLOR	BOOT COLOR	CONNECTOR TYPE	FIBER OPTIC CABLE SIZE (mm)									
J	106034-0000	127 $\begin{smallmatrix} +3.0 \\ -0.0 \end{smallmatrix}$	BEIGE	BEIGE	MULTIMODE	3.0		J							
	106034-0900					2.0&1.6 DUPLEX									
	106034-0100					1.6 SMPLEX									
106034-0070	3.0														
106034-0970	2.0&1.6 DUPLEX														
106034-0170	1.6 SMPLEX														
I	106034-0080		125.5 $\begin{smallmatrix} +1.0 \\ -0.0 \end{smallmatrix}$	BLACK	BLACK	MULTIMODE	3.0		I						
	106034-0980						2.0&1.6 DUPLEX								
	106034-0180						1.6 SMPLEX								
106034-2000	BLUE			BLUE	SINGLE MODE	3.0									
106034-2900		2.0&1.6 DUPLEX													
106034-2100		1.6 SMPLEX													
H	106034-3000	128 $\begin{smallmatrix} +2.0 \\ -0.0 \end{smallmatrix}$	BEIGE	BEIGE	MULTIMODE	3.0		H							
	106034-3900			YELLOW		2.0&1.6 DUPLEX									
	106034-3910			WHITE		1.6 SMPLEX									
	106034-3920			BEIGE		3.0									
	106034-3100			BLACK		BLACK	2.0&1.6 DUPLEX								
	106034-3070						1.6 SMPLEX								
106034-3970	3.0														
G	106034-3170		126 $\begin{smallmatrix} +1.0 \\ -0.0 \end{smallmatrix}$	BLACK	BLACK	MULTIMODE	2.0&1.6 DUPLEX		G						
	106034-3080						1.6 SMPLEX								
	106034-3980						3.0								
	106034-3180						2.0&1.6 DUPLEX								
F	106034-5000			125.5 $\begin{smallmatrix} +0.5 \\ -0.0 \end{smallmatrix}$	BLUE	BLUE	SINGLE MODE			3.0		F			
	106034-5900	2.0&1.6 DUPLEX													
	106034-5100	1.6 SMPLEX													
	106034-6000	3.0													
	106034-6900	2.0&1.6 DUPLEX													
	106034-6100	1.6 SMPLEX													
E													E		
D													D		
C													C		
B													B		
A													A		

ENTER DESCRIPTION EC NO: MF2006-0318 DRAWN: SADAUSKIENE 2005/11/17 CHKD: 2005/11/18 APPR: GUMIN 2005/11/18 REVISIONS A	QUALITY SYMBOLS =0 =0	GENERAL TOLERANCES (UNLESS SPECIFIED)		DIMENSION STYLE IN/MM		SCALE 4:1	DESIGN UNITS INCH	THIRD ANGLE PROJECTION		
		4 PLACES ± --- ± ---	mm INCH	DRAWN BY RPACIFICI	DATE 2005/10/04	TITLE SC FIBER CHANNEL DUPLEX CONNECTOR				
		3 PLACES ± --- ± ---		CHECKED BY DATE						
		2 PLACES ± --- ± ---		APPROVED BY I.GUMIN		DATE 2005/11/15	MATERIAL NO. SD-106034-XXX0 DOCUMENT NO.			
1 PLACE ± --- ± ---		ANGULAR ±1/2°		SEE TABLE		SHEET NO. 2 OF 02				
DRAFT WHERE APPLICABLE MUST REMAIN WITHIN DIMENSIONS		SIZE 		THIS DRAWING CONTAINS INFORMATION THAT IS PROPRIETARY TO MOLEX INCORPORATED AND SHOULD NOT BE USED WITHOUT WRITTEN PERMISSION						