



Chipsmall Limited consists of a professional team with an average of over 10 year of expertise in the distribution of electronic components. Based in Hongkong, we have already established firm and mutual-benefit business relationships with customers from,Europe,America and south Asia,supplying obsolete and hard-to-find components to meet their specific needs.

With the principle of “Quality Parts,Customers Priority,Honest Operation,and Considerate Service”,our business mainly focus on the distribution of electronic components. Line cards we deal with include Microchip,ALPS,ROHM,Xilinx,Pulse,ON,Everlight and Freescale. Main products comprise IC,Modules,Potentiometer,IC Socket,Relay,Connector.Our parts cover such applications as commercial,industrial, and automotives areas.

We are looking forward to setting up business relationship with you and hope to provide you with the best service and solution. Let us make a better world for our industry!



## Contact us

Tel: +86-755-8981 8866 Fax: +86-755-8427 6832

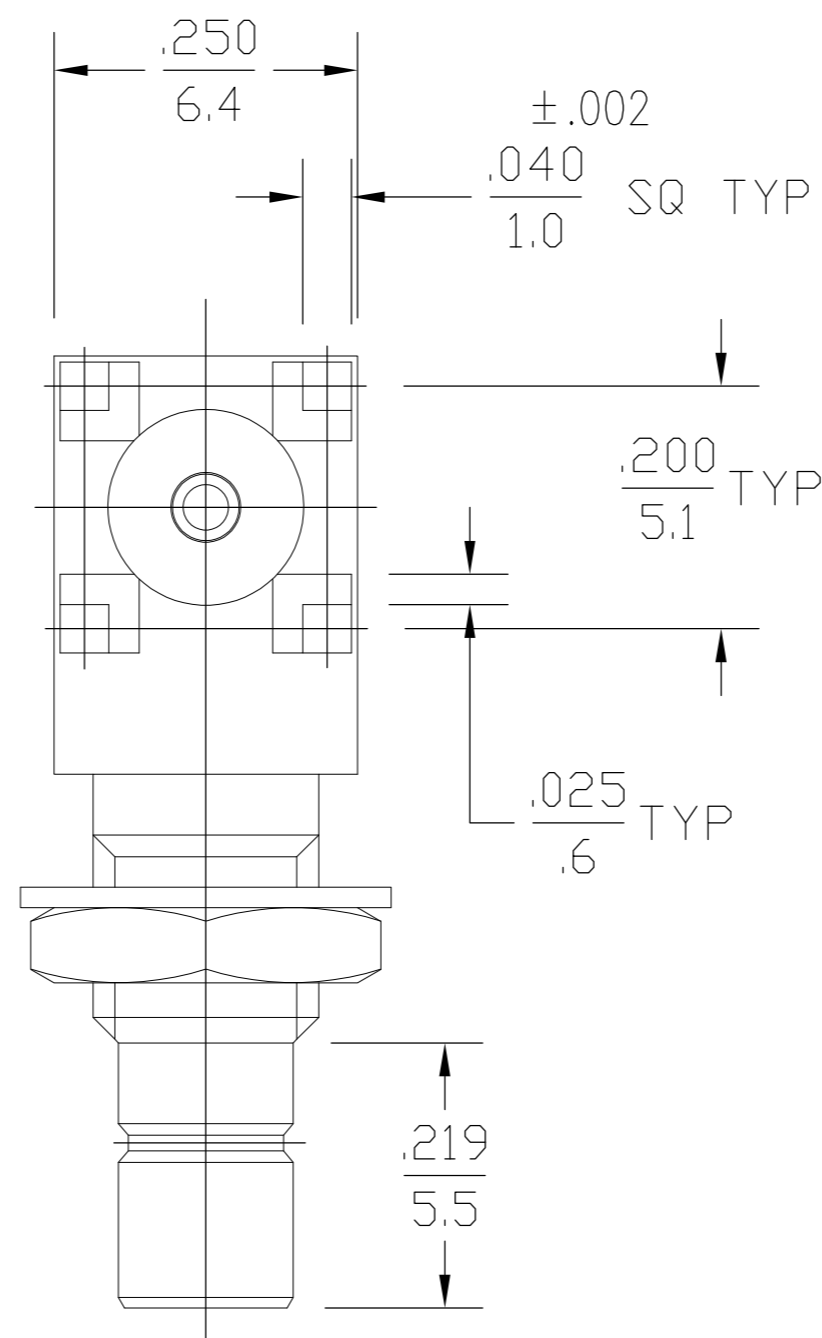
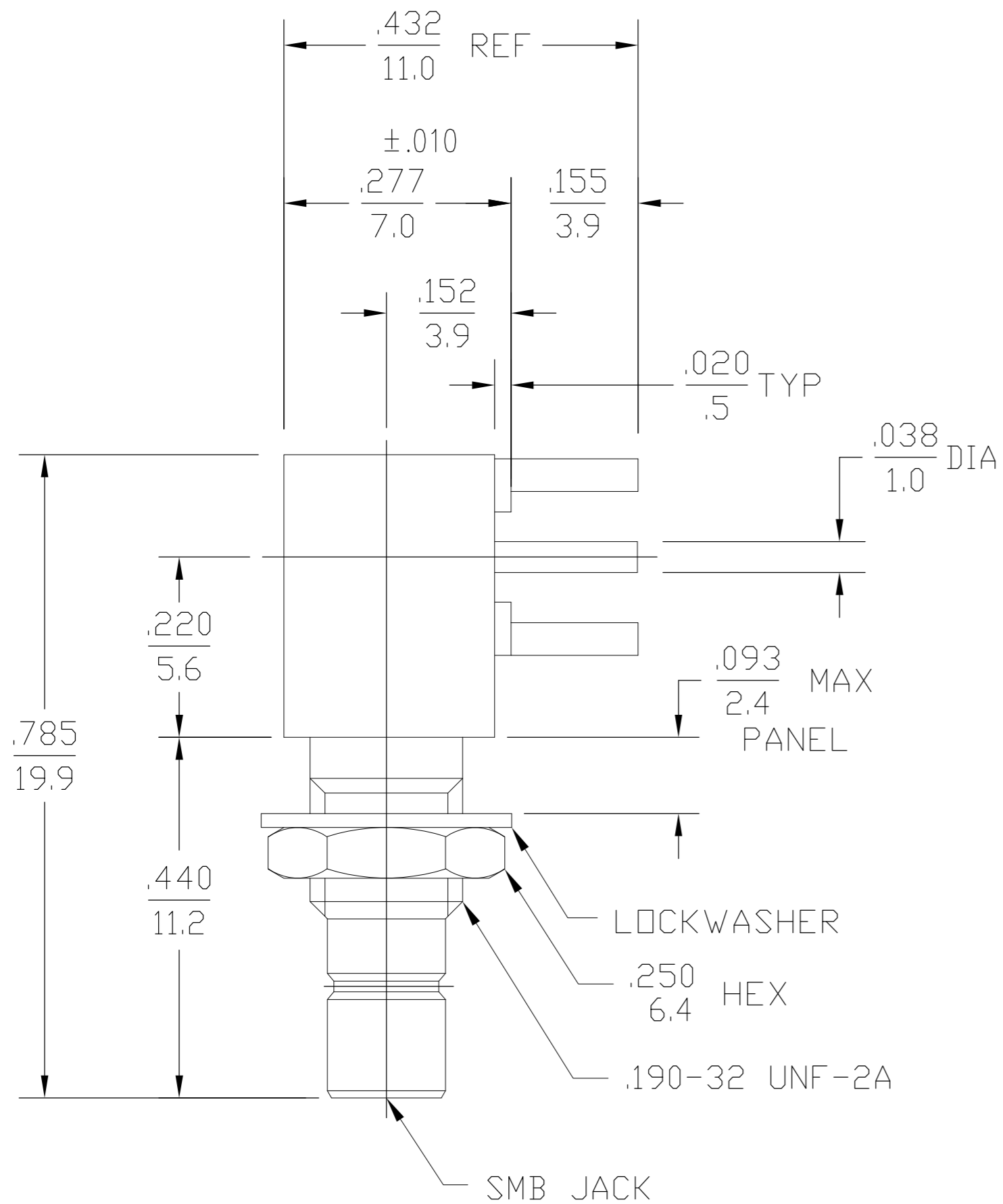
Email & Skype: info@chipsmall.com Web: www.chipsmall.com

Address: A1208, Overseas Decoration Building, #122 Zhenhua RD., Futian, Shenzhen, China



THIS DRAWING IS UNPUBLISHED. RELEASED FOR PUBLICATION  
 © COPYRIGHT - By - ALL RIGHTS RESERVED.

LOC		DIST		REVISIONS			
P	LTR	DESCRIPTION		DATE	DWN	APVD	
AJ	00	C1	REVISED PER ECO-11-005030		26MAR11	RK	HMR



1060469-1  
PART NUMBER

COMPONENT	MATERIAL	FINISH
HOUSING, CAP, CENTER CONTACT & MOUNTING NUT	BRASS PER ASTM-B-16, HALF HARD	GOLD PLATE PER MIL-G-45204
DIELECTRIC	TFE FLUOROCARBON PER ASTM-D-1457	N/A
LOCKWASHER	PHOSPHOR BRONZE PER QQ-B-750, GRADE B2 OR TIN BRASS PER ASTM-B-591	GOLD PLATE PER MIL-G-45204

.XXX = in  
XX.X = mm

NOTES:  
1. CAPTURED CENTER CONTACT

THIS DRAWING IS A CONTROLLED DOCUMENT.		DWN A.KULLA 6/14/85	<b>STE</b> TE Connectivity	
DIMENSIONS: INCHES		CHK J.JONES 6/24/85		
TOLERANCES UNLESS OTHERWISE SPECIFIED:		APVD EC 6/25/85	NAME	
0 PLC ± -		PRODUCT SPEC	SMB RIGHT ANGLE PRINTED CIRCUIT BOARD JACK RECEPTACLE (5164-5011-09)	
1 PLC ± -		APPLICATION SPEC	SIZE	CAGE CODE
2 PLC ± -			A2	00779
3 PLC ± .005		WEIGHT	DRAWING NO	
4 PLC ± -			C=1060469-1	
ANGLES ± 1°		CUSTOMER DRAWING	SCALE	SHEET
FINISH			4:1	1 OF 1
MATERIAL			REV	C1