



Chipsmall Limited consists of a professional team with an average of over 10 year of expertise in the distribution of electronic components. Based in Hongkong, we have already established firm and mutual-benefit business relationships with customers from,Europe,America and south Asia,supplying obsolete and hard-to-find components to meet their specific needs.

With the principle of “Quality Parts,Customers Priority,Honest Operation,and Considerate Service”,our business mainly focus on the distribution of electronic components. Line cards we deal with include Microchip,ALPS,ROHM,Xilinx,Pulse,ON,Everlight and Freescale. Main products comprise IC,Modules,Potentiometer,IC Socket,Relay,Connector.Our parts cover such applications as commercial,industrial, and automotives areas.

We are looking forward to setting up business relationship with you and hope to provide you with the best service and solution. Let us make a better world for our industry!



Contact us

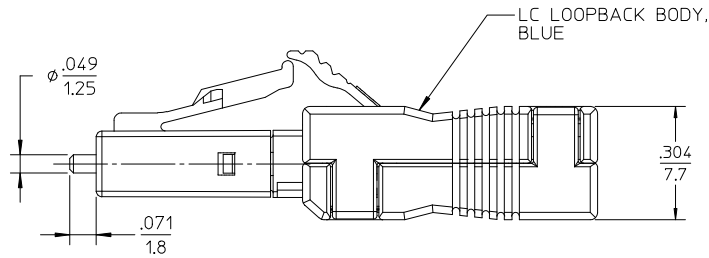
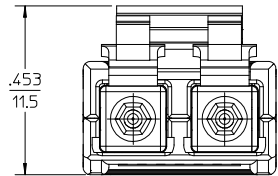
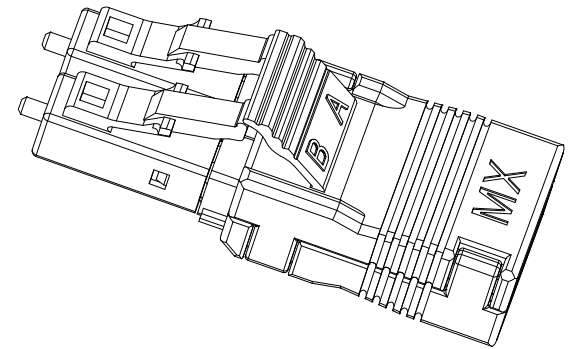
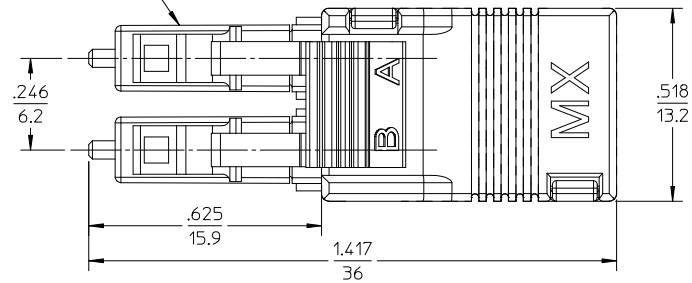
Tel: +86-755-8981 8866 Fax: +86-755-8427 6832

Email & Skype: info@chipsmall.com Web: www.chipsmall.com

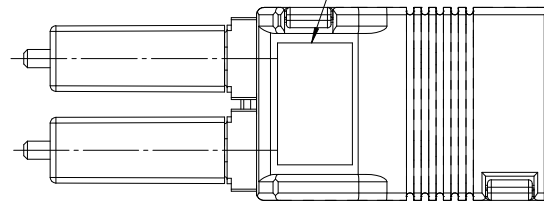
Address: A1208, Overseas Decoration Building, #122 Zhenhua RD., Futian, Shenzhen, China



LC CONNECTOR HEAD
(2x)



LABEL
SEE NOTE 6



NOTES:

1. ALL DIMENSIONS ARE FOR REFERENCE ONLY.
2. DUST CAPS ARE NOT SHOWN, BUT INCLUDED.
3. FIBER TYPE - SINGLEMODE.
4. MAXIMUM INSERTION LOSS PER CONNECTOR (TWO MATED PAIRS):
AT 1550nm: 3.0dB.
AT 1310nm: 3.0dB.
5. OPERATING TEMPERATURE RANGE: -40° TO +85°C.
6. LABEL IS PRINTED WITH "SM" AND "3dB" AND PLACED ON THE BACK SIDE OF THE CONNECTOR AS SHOWN.

ENTER DESCRIPTION EC NO: WF2012-0017 DRW: MHPVZNER 2011/07/11 CHKD: APPR: IGUMIN 2011/07/12 REV B	DESCRIPTION 2011/07/12	QUALITY SYMBOLS	GENERAL TOLERANCES (UNLESS SPECIFIED) 4 PLACES ± --- ± --- 3 PLACES ± --- ± --- 2 PLACES ± --- ± --- 1 PLACE ± --- ± --- ANGULAR ± 1/2°	DIMENSION STYLE IN/MM	SCALE 2:1	DESIGN UNITS METRIC	THIRD ANGLE PROJECTION	
		▽=0 ▽=0		DRAWN BY RPACIFICI	DATE 2005/11/22	TITLE LC LOOPBACK SM 9/125UM		
				CHECKED BY	DATE	MOLEX INCORPORATED		
				APPROVED BY	DATE	MATERIAL NO. 1060520030	DOCUMENT NO. SD-106052-0030	SHEET NO. 1 OF 1
DRAFT WHERE APPLICABLE MUST REMAIN WITHIN DIMENSIONS			THIS DRAWING CONTAINS INFORMATION THAT IS PROPRIETARY TO MOLEX INCORPORATED AND SHOULD NOT BE USED WITHOUT WRITTEN PERMISSION					