



Chipsmall Limited consists of a professional team with an average of over 10 year of expertise in the distribution of electronic components. Based in Hongkong, we have already established firm and mutual-benefit business relationships with customers from,Europe,America and south Asia,supplying obsolete and hard-to-find components to meet their specific needs.

With the principle of "Quality Parts,Customers Priority,Honest Operation,and Considerate Service",our business mainly focus on the distribution of electronic components. Line cards we deal with include Microchip,ALPS,ROHM,Xilinx,Pulse,ON,Everlight and Freescale. Main products comprise IC,Modules,Potentiometer,IC Socket,Relay,Connector.Our parts cover such applications as commercial,industrial, and automotives areas.

We are looking forward to setting up business relationship with you and hope to provide you with the best service and solution. Let us make a better world for our industry!



Contact us

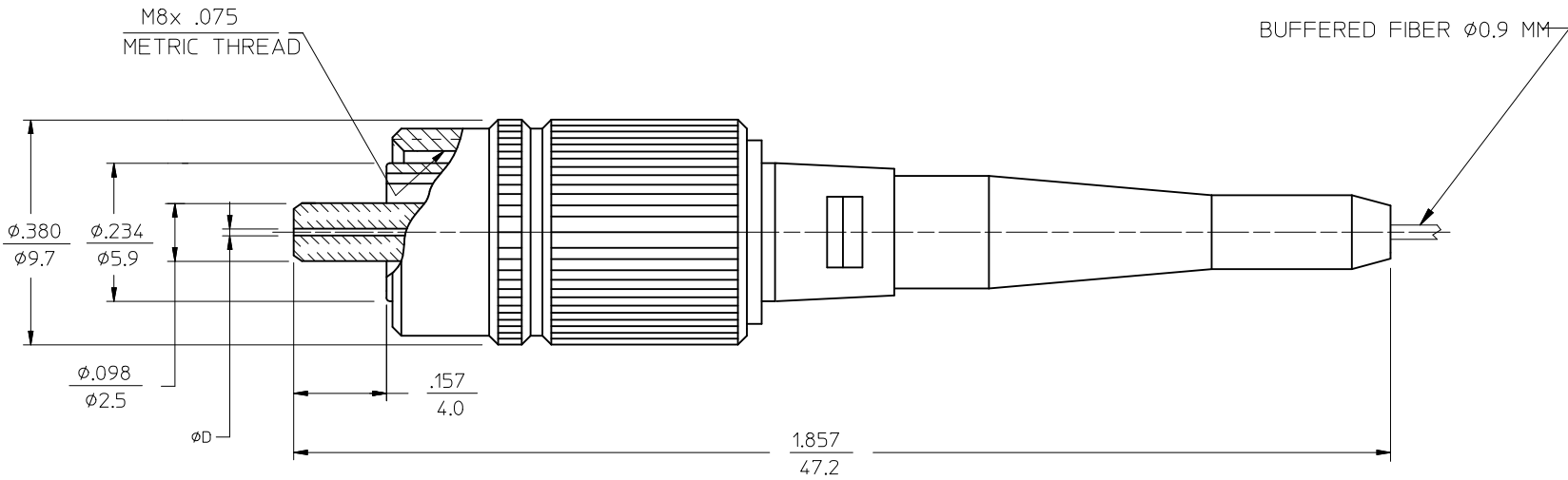
Tel: +86-755-8981 8866 Fax: +86-755-8427 6832

Email & Skype: info@chipsmall.com Web: www.chipsmall.com

Address: A1208, Overseas Decoration Building, #122 Zhenhua RD., Futian, Shenzhen, China



FCII CONNECTOR P/N	øD (µm)	BOOT COLOR	CABLE TYPE
106053-0500	127	BLACK	MULTIMODE
106053-2500	125.5	YELLOW	SINGLE MODE
106053-2580	125.5	RED	
106053-3500	128	BLACK	MULTIMODE
106053-4500	125	YELLOW	SINGLE MODE
106053-5500	126		
106053-5520*			
106053-5580	126	RED	
106053-7500	127	YELLOW	



NOTES:

1. DUST CAP IS NOT SHOWN.

*2. P/N 106053-5520 IS BULK PACKED IN QUANTITIES OF 100 PCS.

ENTER DESCRIPTION EC NO: MF2006-0424 DRW: RPACIFIC 2006/01/24 CHKD: 2006/01/24 APPR: LGUMIN 2006/01/24 B	QUALITY SYMBOLS ▼=0 ▽=0	GENERAL TOLERANCES (UNLESS SPECIFIED)	DIMENSION STYLE IN/MM	SCALE 4:1	DESIGN UNITS INCH	THIRD ANGLE PROJECTION																							
		<table border="1"> <thead> <tr> <th></th> <th>mm</th> <th>INCH</th> </tr> </thead> <tbody> <tr> <td>4 PLACES</td> <td>±---</td> <td>±---</td> </tr> <tr> <td>3 PLACES</td> <td>±---</td> <td>±---</td> </tr> <tr> <td>2 PLACES</td> <td>±---</td> <td>±---</td> </tr> <tr> <td>1 PLACE</td> <td>±---</td> <td>±---</td> </tr> </tbody> </table>		mm	INCH	4 PLACES	±---	±---	3 PLACES	±---	±---	2 PLACES	±---	±---	1 PLACE	±---	±---	<table border="1"> <tr> <td>DRAWN BY</td> <td>DATE</td> </tr> <tr> <td>RPACIFIC</td> <td>2005/12/22</td> </tr> <tr> <td>CHECKED BY</td> <td>DATE</td> </tr> <tr> <td>APPROVED BY</td> <td>DATE</td> </tr> </table>	DRAWN BY	DATE	RPACIFIC	2005/12/22	CHECKED BY	DATE	APPROVED BY	DATE	TITLE FC CONNECTOR (BARE FIBER)		
		mm	INCH																										
	4 PLACES	±---	±---																										
3 PLACES	±---	±---																											
2 PLACES	±---	±---																											
1 PLACE	±---	±---																											
DRAWN BY	DATE																												
RPACIFIC	2005/12/22																												
CHECKED BY	DATE																												
APPROVED BY	DATE																												
DRAFT WHERE APPLICABLE MUST REMAIN WITHIN DIMENSIONS		MATERIAL NO. SEE TABLE	DOCUMENT NO. SD-106053-X5X0	MOLEX INCORPORATED																									
		SIZE B	THIS DRAWING CONTAINS INFORMATION THAT IS PROPRIETARY TO MOLEX INCORPORATED AND SHOULD NOT BE USED WITHOUT WRITTEN PERMISSION			SHEET NO. 1 OF 1																							