

Chipsmall Limited consists of a professional team with an average of over 10 year of expertise in the distribution of electronic components. Based in Hongkong, we have already established firm and mutual-benefit business relationships with customers from,Europe,America and south Asia,supplying obsolete and hard-to-find components to meet their specific needs.

With the principle of “Quality Parts,Customers Priority,Honest Operation,and Considerate Service”,our business mainly focus on the distribution of electronic components. Line cards we deal with include Microchip,ALPS,ROHM,Xilinx,Pulse,ON,Everlight and Freescale. Main products comprise IC,Modules,Potentiometer,IC Socket,Relay,Connector.Our parts cover such applications as commercial,industrial, and automotives areas.

We are looking forward to setting up business relationship with you and hope to provide you with the best service and solution. Let us make a better world for our industry!



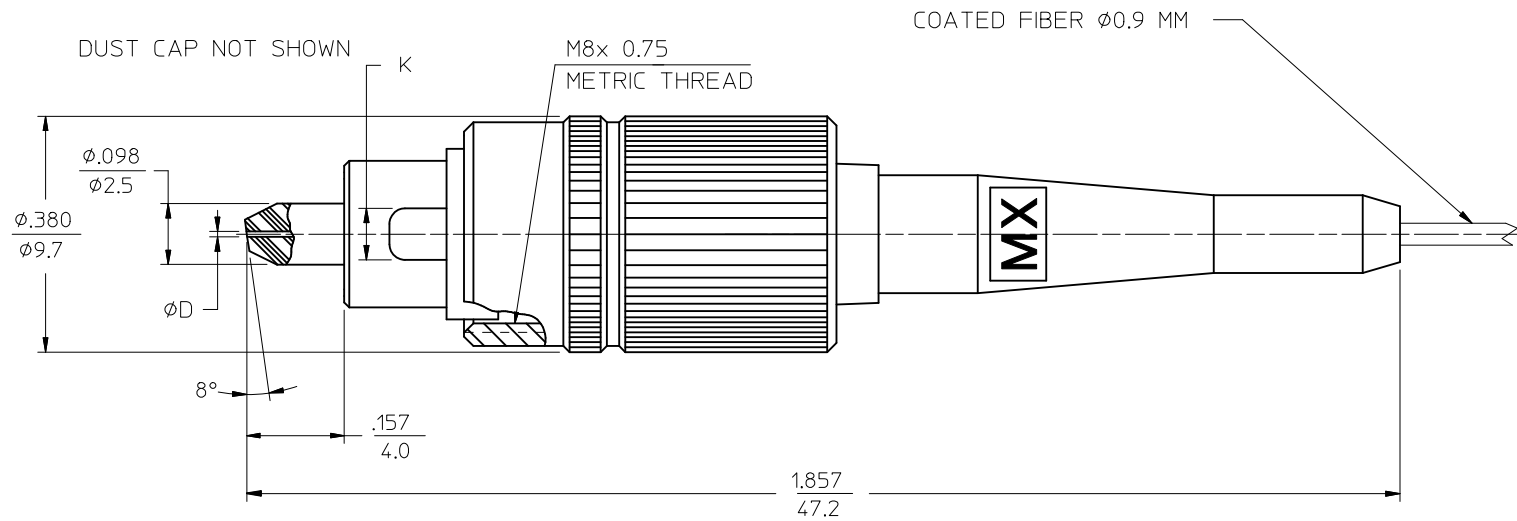
Contact us

Tel: +86-755-8981 8866 Fax: +86-755-8427 6832

Email & Skype: info@chipsmall.com Web: www.chipsmall.com

Address: A1208, Overseas Decoration Building, #122 Zhenhua RD., Futian, Shenzhen, China

CONNECTOR P/N	φD(mm)	K (KEY)	TYPE OF FIT
106056-4500	.125	.083 2.1	STANDARD
106056-5500	.126		
106055-4500	.125	.079 2.0	TIGHT
106055-5500	.126		



ENTER DESCRIPTION EC NO: MF2012-0610 DRAWN: MGHAYERE 2012/06/06 CHKD: APPR: IGUMIN 2012/06/08 REV: A1	QUALITY SYMBOLS ▽=0 ▽=0	GENERAL TOLERANCES (UNLESS SPECIFIED) <table border="1"> <thead> <tr> <th></th> <th>mm</th> <th>INCH</th> </tr> </thead> <tbody> <tr> <td>4 PLACES</td> <td>± .004</td> <td>± .0001</td> </tr> <tr> <td>3 PLACES</td> <td>± .005</td> <td>± .0002</td> </tr> <tr> <td>2 PLACES</td> <td>± .007</td> <td>± .0003</td> </tr> <tr> <td>1 PLACE</td> <td>± .010</td> <td>± .0004</td> </tr> <tr> <td>0 PLACE</td> <td>± .015</td> <td>± .0006</td> </tr> </tbody> </table>		mm	INCH	4 PLACES	± .004	± .0001	3 PLACES	± .005	± .0002	2 PLACES	± .007	± .0003	1 PLACE	± .010	± .0004	0 PLACE	± .015	± .0006	DIMENSION STYLE IN/MM	SCALE 5:1	DESIGN UNITS INCH	THIRD ANGLE PROJECTION
		mm	INCH																					
	4 PLACES	± .004	± .0001																					
	3 PLACES	± .005	± .0002																					
	2 PLACES	± .007	± .0003																					
1 PLACE	± .010	± .0004																						
0 PLACE	± .015	± .0006																						
DRAFT WHERE APPLICABLE MUST REMAIN WITHIN DIMENSIONS		DRAWN BY: PGIBLIN DATE: 2005/10/24	CHECKED BY:	DATE:	TITLE FCII APC CONN. (BARE FIBER)																			
ANGULAR ±1/2°		APPROVED BY:	DATE:	MATERIAL NO. SEE TABLE		DOCUMENT NO. SD-10605X-X500																		
SIZE B		THIS DRAWING CONTAINS INFORMATION THAT IS PROPRIETARY TO MOLEX INCORPORATED AND SHOULD NOT BE USED WITHOUT WRITTEN PERMISSION				SHEET NO. 1 OF 1																		