



Chipsmall Limited consists of a professional team with an average of over 10 year of expertise in the distribution of electronic components. Based in Hongkong, we have already established firm and mutual-benefit business relationships with customers from,Europe,America and south Asia,supplying obsolete and hard-to-find components to meet their specific needs.

With the principle of "Quality Parts,Customers Priority,Honest Operation,and Considerate Service",our business mainly focus on the distribution of electronic components. Line cards we deal with include Microchip,ALPS,ROHM,Xilinx,Pulse,ON,Everlight and Freescale. Main products comprise IC,Modules,Potentiometer,IC Socket,Relay,Connector.Our parts cover such applications as commercial,industrial, and automotives areas.

We are looking forward to setting up business relationship with you and hope to provide you with the best service and solution. Let us make a better world for our industry!



Contact us

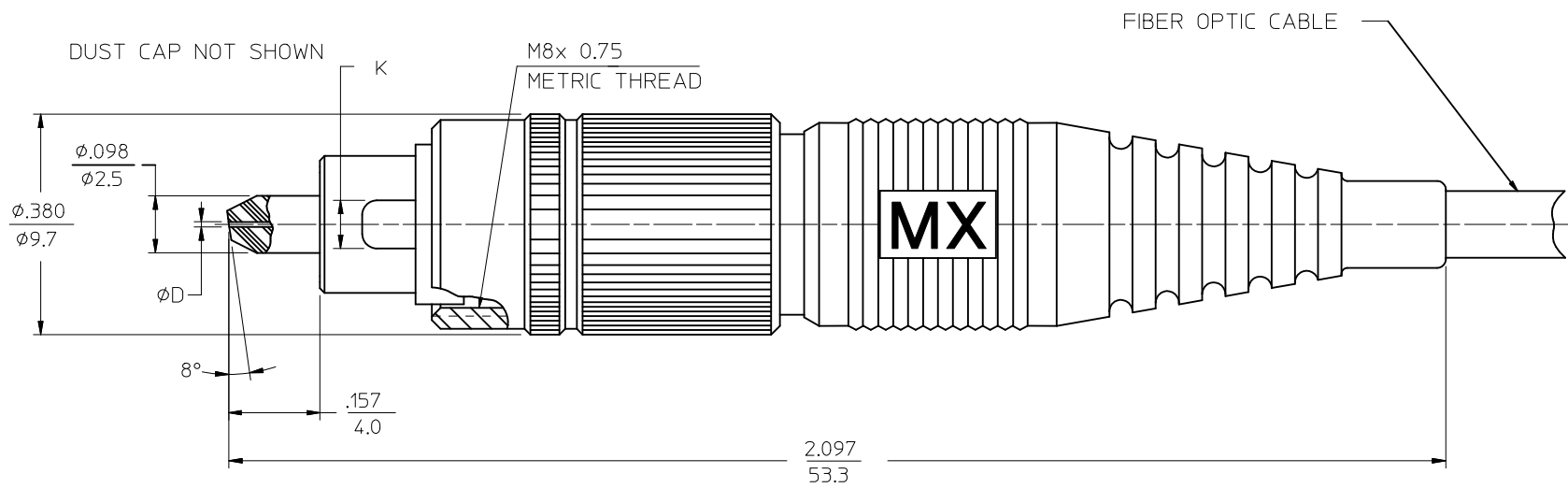
Tel: +86-755-8981 8866 Fax: +86-755-8427 6832

Email & Skype: info@chipsmall.com Web: www.chipsmall.com

Address: A1208, Overseas Decoration Building, #122 Zhenhua RD., Futian, Shenzhen, China



CONNECTOR P/N	ØD(mm)	K (KEY)	TYPE OF FIT	CABLE DIAMETER (mm)
106056-2000	.1255	$\frac{.083}{2.1}$	STANDARD	3
106055-2000		$\frac{.0785}{2.0}$	TIGHT	
106056-4000	.125	$\frac{.083}{2.1}$	STANDARD	
106055-4000		$\frac{.0785}{2.0}$	TIGHT	
106056-5000	.126	$\frac{.083}{2.1}$	STANDARD	2.4
106055-5000		$\frac{.0785}{2.0}$	TIGHT	
106056-5300		$\frac{.083}{2.1}$	STANDARD	



ENTER DESCRIPTION EC NO: MF2010-0066 DRAWN: DRW/ANKPEVZNER 2009/08/13 CHKD: 2009/08/13 APPR: LGUMIN 2009/08/17	QUALITY SYMBOLS Ra=0 Chamfered	GENERAL TOLERANCES (UNLESS SPECIFIED)		DIMENSION STYLE IN/MM		SCALE 5:1	DESIGN UNITS INCH	THIRD ANGLE PROJECTION			
				DRAWN BY PGIBLIN	DATE 2005/10/24	TITLE FCII APC CONNECTOR 3.0MM					
				CHECKED BY DATE	APPROVED BY DATE		MOLEX INCORPORATED				
				MATERIAL NO. SEE TABLE		DOCUMENT NO. SD-10605X-XX00			SHEET NO. 1 OF 01		
REV A1		DESCRIPTION DRAFT WHERE APPLICABLE MUST REMAIN WITHIN DIMENSIONS		THIS DRAWING CONTAINS INFORMATION THAT IS PROPRIETARY TO MOLEX INCORPORATED AND SHOULD NOT BE USED WITHOUT WRITTEN PERMISSION							