



Chipsmall Limited consists of a professional team with an average of over 10 year of expertise in the distribution of electronic components. Based in Hongkong, we have already established firm and mutual-benefit business relationships with customers from,Europe,America and south Asia,supplying obsolete and hard-to-find components to meet their specific needs.

With the principle of “Quality Parts,Customers Priority,Honest Operation,and Considerate Service”,our business mainly focus on the distribution of electronic components. Line cards we deal with include Microchip,ALPS,ROHM,Xilinx,Pulse,ON,Everlight and Freescale. Main products comprise IC,Modules,Potentiometer,IC Socket,Relay,Connector.Our parts cover such applications as commercial,industrial, and automotives areas.

We are looking forward to setting up business relationship with you and hope to provide you with the best service and solution. Let us make a better world for our industry!



## Contact us

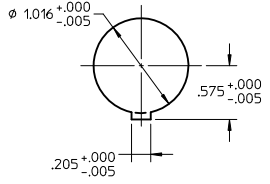
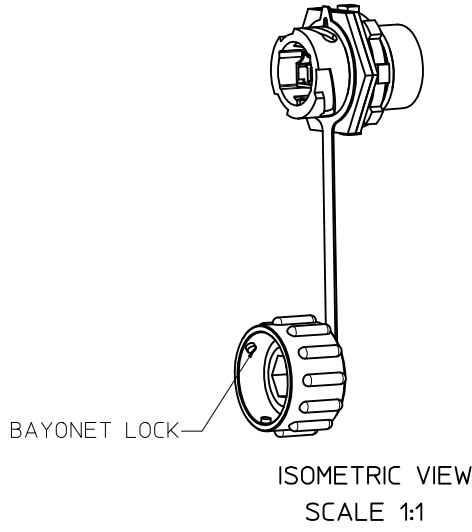
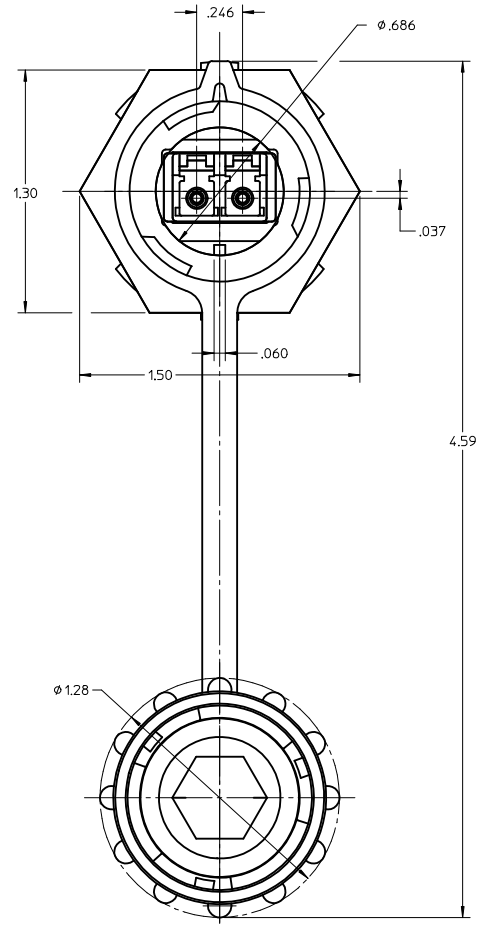
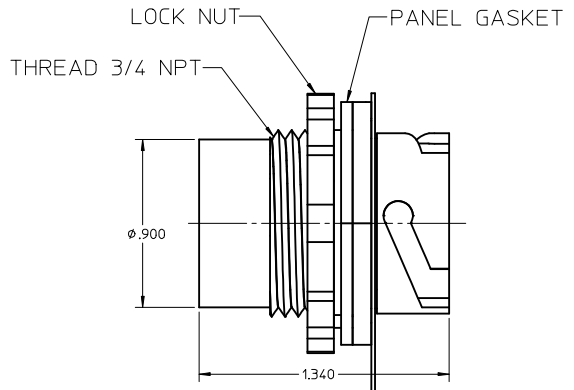
Tel: +86-755-8981 8866 Fax: +86-755-8427 6832

Email & Skype: info@chipsmall.com Web: www.chipsmall.com

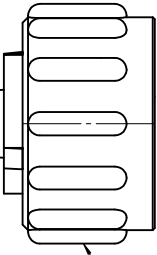
Address: A1208, Overseas Decoration Building, #122 Zhenhua RD., Futian, Shenzhen, China



ADAPTER P/N	LC ADAPTER COLOR	CABLE TYPE	INDUSTRIAL DUST COVER
1060590200	BEIGE	MULTIMODE	YES
1060590210	BLUE	SINGLE MODE	
1060590220	GREEN	SINGLE MODE	
1060590230	BEIGE	MULTIMODE	NO
1060590211	BLUE	SINGLE MODE	



RECOMMENDED MOUNTING CUTOUT  
 SCALE: 1:1



NOTE:

- ALL DIMENSIONS ARE FOR REFERENCE ONLY.
- ADAPTER ASSEMBLY AND ITS COMPONENTS ARE COMPLIANT WITH EU DIRECTIVE 2002/95/EC ON THE RESTRICTION OF THE USE OF HAZARDOUS SUBSTANCES IN ELECTRICAL AND ELECTRONIC EQUIPMENT (ROHS).

EC NO: MF2010-0222 DRWN: YBEDNYAK 2009/11/16 CHKD: 2009/11/16 APPR: GUMIN 2009/11/17	QUALITY SYMBOLS	GENERAL TOLERANCES (UNLESS SPECIFIED)		SCALE 2:1	DESIGN UNITS INCH	THIRD ANGLE PROJECTION	REVISE ON CAD ONLY
	▼ - 0 ∇ - 0	mm	INCH	DIMENSION STYLE INCH ONLY		TITLE	
		4 PLACES ±---	±---	DRAWN BY DATE		ADAPTER LC INDUSTRIAL ASSEMBLY	
	C	2 PLACES ±---	±---	D.B. 2006/6/30		MOLEX INCORPORATED	
1 PLACE ±---		±---	CHECKED BY DATE		MATERIAL NO. DOCUMENT NO. SHEET NO.		
DRAFT WHERE APPLICABLE		ANGULAR ±1/2°		APPROVED BY DATE		SEE TABLE SD-106059-02X0 1 OF 1	
MUST REMAIN WITHIN DIMENSIONS		THIS DRAWING CONTAINS INFORMATION THAT IS PROPRIETARY TO MOLEX INCORPORATED AND SHOULD NOT BE USED WITHOUT WRITTEN PERMISSION		I.G. 2006/6/30			