



Chipsmall Limited consists of a professional team with an average of over 10 year of expertise in the distribution of electronic components. Based in Hongkong, we have already established firm and mutual-benefit business relationships with customers from,Europe,America and south Asia,supplying obsolete and hard-to-find components to meet their specific needs.

With the principle of “Quality Parts,Customers Priority,Honest Operation,and Considerate Service”,our business mainly focus on the distribution of electronic components. Line cards we deal with include Microchip,ALPS,ROHM,Xilinx,Pulse,ON,Everlight and Freescale. Main products comprise IC,Modules,Potentiometer,IC Socket,Relay,Connector.Our parts cover such applications as commercial,industrial, and automotives areas.

We are looking forward to setting up business relationship with you and hope to provide you with the best service and solution. Let us make a better world for our industry!



Contact us

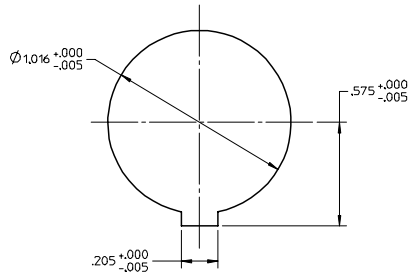
Tel: +86-755-8981 8866 Fax: +86-755-8427 6832

Email & Skype: info@chipsmall.com Web: www.chipsmall.com

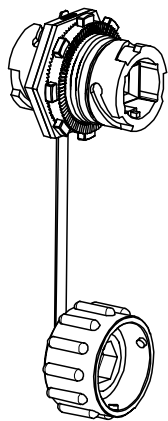
Address: A1208, Overseas Decoration Building, #122 Zhenhua RD., Futian, Shenzhen, China



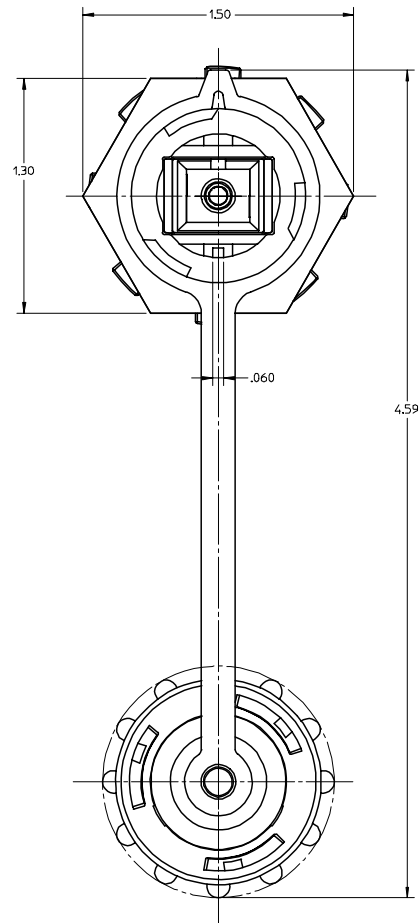
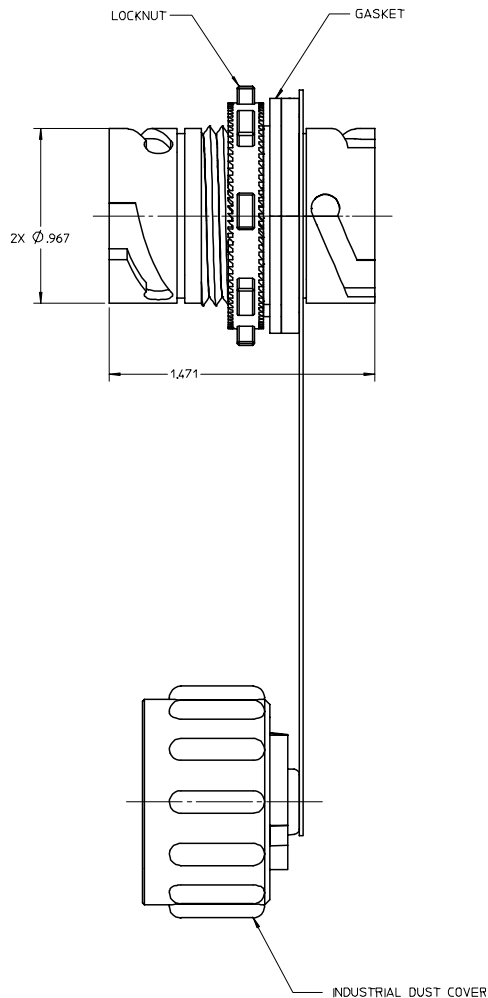
SC IN-LINE ADAPTER P/N	CONNECTOR TYPE
1060594100	SINGLE MODE
1060594110	MULTIMODE
1060594120	APC



RECOMMENDED MOUNTING CUTOUT



ISOMETRIC VIEW
SCALE 1:1



NOTES:
ALL DIMENSIONS ARE FOR REFERENCE ONLY.

ENTER DESCRIPTION EC NO: MF2007-0511 DRAWN BY: DRW:ADOBAL TRUKONIS CHKD: APPR: JGUMIN 2007/02/12 REVISIONS:	QUALITY SYMBOLS	GENERAL TOLERANCES (UNLESS SPECIFIED)		DIMENSION STYLE INCH ONLY		SCALE 2:1	DESIGN UNITS INCH	THIRD ANGLE PROJECTION	
	=0 =0		mm	INCH	DRAWN BY D.B.	DATE 2006/6/29	TITLE SC IN-LINE INDUSTRIAL ADAPTER		
		4 PLACES	±----	±----	CHECKED BY	DATE			
		3 PLACES	±----	±----	APPROVED BY	DATE 2006/6/29	MOLEX INCORPORATED DOCUMENT NO. SD-106059-41X0 SHEET NO. 1 OF 1		
2 PLACES	±----	±----	MATERIAL NO. 10605941X0						
1 PLACE	±----	±----	ANGULAR ±1/2°		DRAFT WHERE APPLICABLE MUST REMAIN WITHIN DIMENSIONS				
				SIZE C		THIS DRAWING CONTAINS INFORMATION THAT IS PROPRIETARY TO MOLEX INCORPORATED AND SHOULD NOT BE USED WITHOUT WRITTEN PERMISSION			