



Chipsmall Limited consists of a professional team with an average of over 10 year of expertise in the distribution of electronic components. Based in Hongkong, we have already established firm and mutual-benefit business relationships with customers from,Europe,America and south Asia,supplying obsolete and hard-to-find components to meet their specific needs.

With the principle of "Quality Parts,Customers Priority,Honest Operation,and Considerate Service",our business mainly focus on the distribution of electronic components. Line cards we deal with include Microchip,ALPS,ROHM,Xilinx,Pulse,ON,Everlight and Freescale. Main products comprise IC,Modules,Potentiometer,IC Socket,Relay,Connector.Our parts cover such applications as commercial,industrial, and automotives areas.

We are looking forward to setting up business relationship with you and hope to provide you with the best service and solution. Let us make a better world for our industry!



Contact us

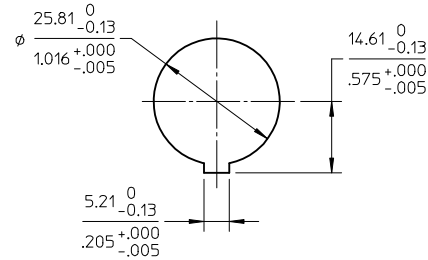
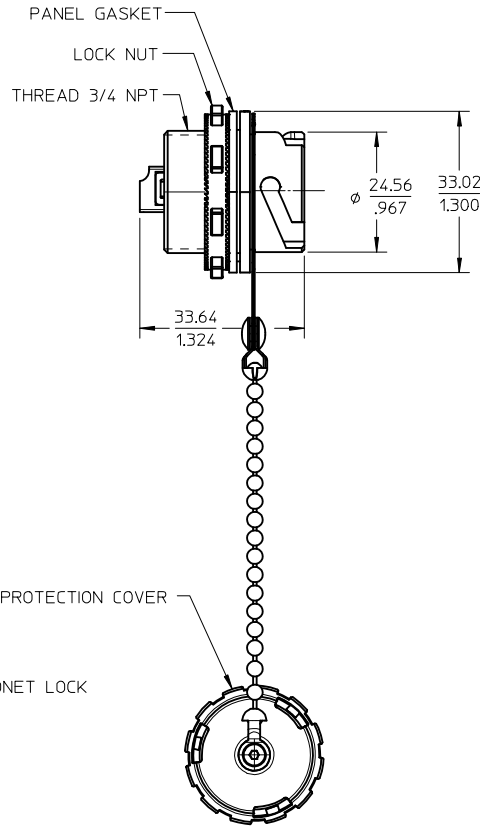
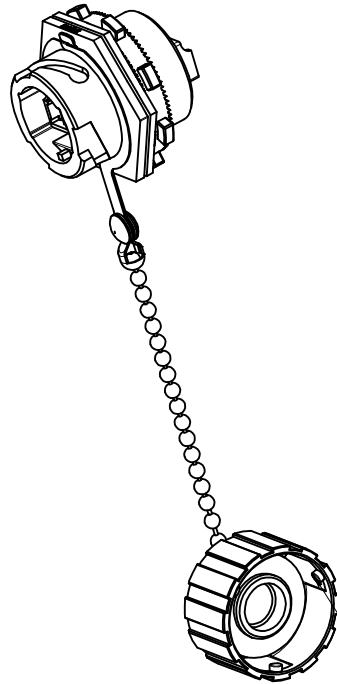
Tel: +86-755-8981 8866 Fax: +86-755-8427 6832

Email & Skype: info@chipsmall.com Web: www.chipsmall.com

Address: A1208, Overseas Decoration Building, #122 Zhenhua RD., Futian, Shenzhen, China

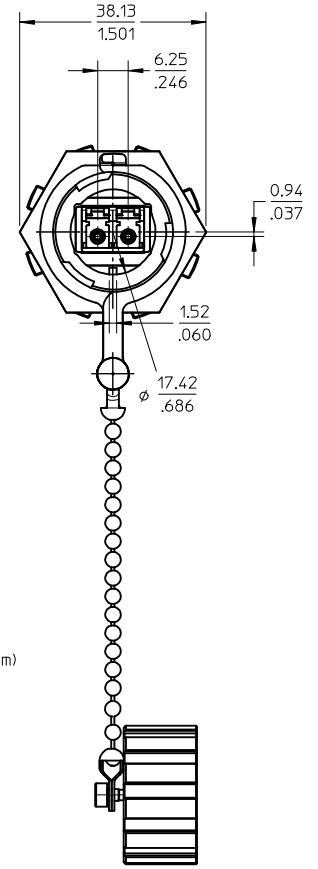


ADAPTER P/N	VERSION	CABLE TYPE
1060597200	WITH LOGO	MULTIMODE
1060597400	WITHOUT LOGO	MULTIMODE
1060597600	WITH LOGO	SINGLE MODE
1060597800	WITHOUT LOGO	SINGLE MODE



RECOMENDED PANEL THICKNESS: .060*(1.5mm) - .312*(7.9mm)

RECOMMENDED MOUNTING CUTOUT
SCALE 1 : 1



NOTE:
ALL DIMENSIONS SHOWN ARE FOR REFERENCE ONLY.

ENTER DESCRIPTION EC NO: MF2009-0650 DRAWN: SMIGO 2009/06/02 CHKD: BANDREI 2009/06/02 APPR: BANDREI 2009/06/03	QUALITY SYMBOLS ▽=0 ▽=0	GENERAL TOLERANCES (UNLESS SPECIFIED)		DIMENSION STYLE MM/IN	SCALE 1:1	DESIGN UNITS METRIC	THIRD ANGLE PROJECTION	
		mm	INCH	DRAWN BY B. ANDREI	DATE 11/3/2006	TITLE ADAPTER ASSEMBLY METAL BODY INDUSTRIAL LC		
		4 PLACES	± ---	CHECKED BY S. MIGO	DATE 12/4/2006			
		3 PLACES	± ---	APPROVED BY DATE		MOLEX INCORPORATED		
2 PLACES	± ---	MATERIAL NO. SEE TABLE		DOCUMENT NO. SD-106059-7X00	SHEET NO. 1 OF 1			
1 PLACE	± ---	ANGULAR ± ---°		THIS DRAWING CONTAINS INFORMATION THAT IS PROPRIETARY TO MOLEX INCORPORATED AND SHOULD NOT BE USED WITHOUT WRITTEN PERMISSION				
DRAFT WHERE APPLICABLE MUST REMAIN WITHIN DIMENSIONS								