



Chipsmall Limited consists of a professional team with an average of over 10 year of expertise in the distribution of electronic components. Based in Hongkong, we have already established firm and mutual-benefit business relationships with customers from,Europe,America and south Asia,supplying obsolete and hard-to-find components to meet their specific needs.

With the principle of “Quality Parts,Customers Priority,Honest Operation,and Considerate Service”,our business mainly focus on the distribution of electronic components. Line cards we deal with include Microchip,ALPS,ROHM,Xilinx,Pulse,ON,Everlight and Freescale. Main products comprise IC,Modules,Potentiometer,IC Socket,Relay,Connector.Our parts cover such applications as commercial,industrial, and automotives areas.

We are looking forward to setting up business relationship with you and hope to provide you with the best service and solution. Let us make a better world for our industry!



Contact us

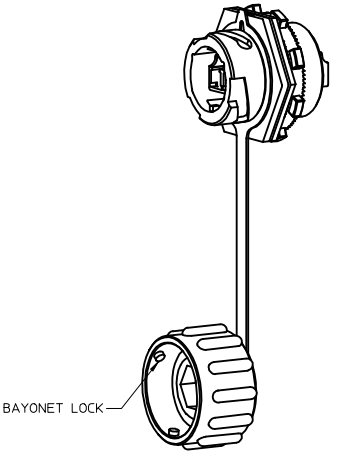
Tel: +86-755-8981 8866 Fax: +86-755-8427 6832

Email & Skype: info@chipsmall.com Web: www.chipsmall.com

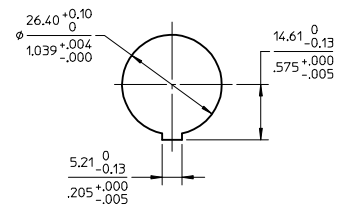
Address: A1208, Overseas Decoration Building, #122 Zhenhua RD., Futian, Shenzhen, China



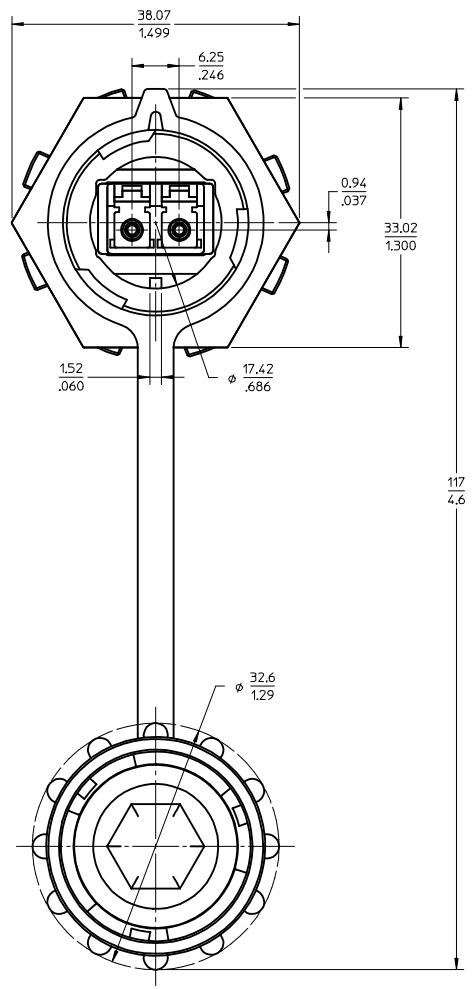
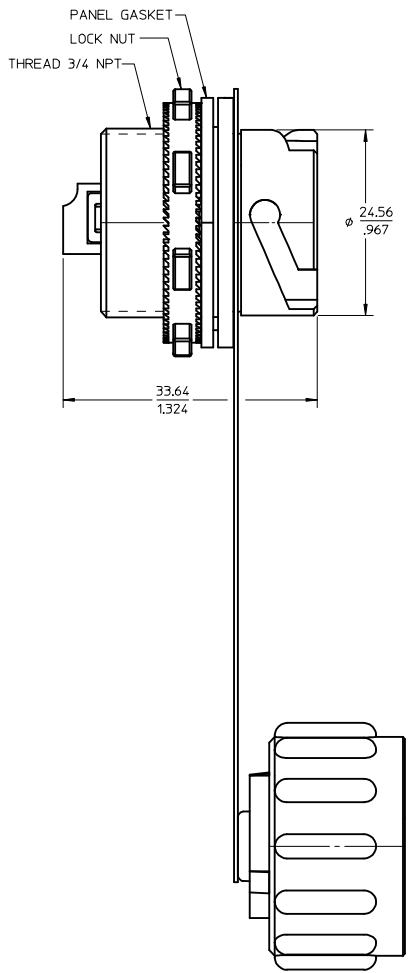
ADAPTER P/N	VERSION	CABLE TYPE
1060597250	WITH LOGO	MULTIMODE
1060597450	WITHOUT LOGO	MULTIMODE
1060597650	WITH LOGO	SINGLE MODE
1060597850	WITHOUT LOGO	SINGLE MODE



ISOMETRIC VIEW
SCALE 1:1



RECOMMENDED PANEL THICKNESS: .060"(1.5mm) - .312"(7.9mm)
RECOMMENDED MOUNTING CUTOUT
SCALE 1 : 1



NOTE:

1. ALL DIMENSIONS ARE FOR REFERENCE ONLY.
2. ADAPTER ASSEMBLY AND ITS COMPONENTS ARE COMPLIANT WITH EU DIRECTIVE 2002/95/EC ON THE RESTRICTION OF THE USE OF HAZARDOUS SUBSTANCES IN ELECTRICAL AND ELECTRONIC EQUIPMENT (RoHS).

ENTER DESCRIPTION EC NO: MF2013-0307 DRWNL: SADAUSKIENE 2012/11/27 CHKD: APPR: WCHEN 2012/12/04	QUALITY SYMBOLS = 0 = 0	GENERAL TOLERANCES (UNLESS SPECIFIED)		DIMENSION STYLE MM/IN	SCALE 2:1	DESIGN UNITS METRIC	THIRD ANGLE PROJECTION
		4 PLACES ± --- ± --- 3 PLACES ± --- ± --- 2 PLACES ± --- ± --- 1 PLACE ± --- ± ---	mm INCH	DRAWN BY DATE L.SADAUSKAS 2007/11/12	TITLE ADAPTER ASSEMBLY, METAL BODY INDUSTRIAL LC W/PLASTIC DUST COVER		
		ANGULAR ±1/2°		CHECKED BY DATE B. ANDREI	APPROVED BY DATE B. ANDREI		
		DRAFT WHERE APPLICABLE MUST REMAIN WITHIN DIMENSIONS		MATERIAL NO. SEE TABLE	DOCUMENT NO. SD-106059-7X50		
				SIZE THIS DRAWING CONTAINS INFORMATION THAT IS PROPRIETARY TO MOLEX INCORPORATED AND SHOULD NOT BE USED WITHOUT WRITTEN PERMISSION	SHEET NO. 1 OF 1		