



Chipsmall Limited consists of a professional team with an average of over 10 year of expertise in the distribution of electronic components. Based in Hongkong, we have already established firm and mutual-benefit business relationships with customers from,Europe,America and south Asia,supplying obsolete and hard-to-find components to meet their specific needs.

With the principle of “Quality Parts,Customers Priority,Honest Operation,and Considerate Service”,our business mainly focus on the distribution of electronic components. Line cards we deal with include Microchip,ALPS,ROHM,Xilinx,Pulse,ON,Everlight and Freescale. Main products comprise IC,Modules,Potentiometer,IC Socket,Relay,Connector.Our parts cover such applications as commercial,industrial, and automotives areas.

We are looking forward to setting up business relationship with you and hope to provide you with the best service and solution. Let us make a better world for our industry!



Contact us

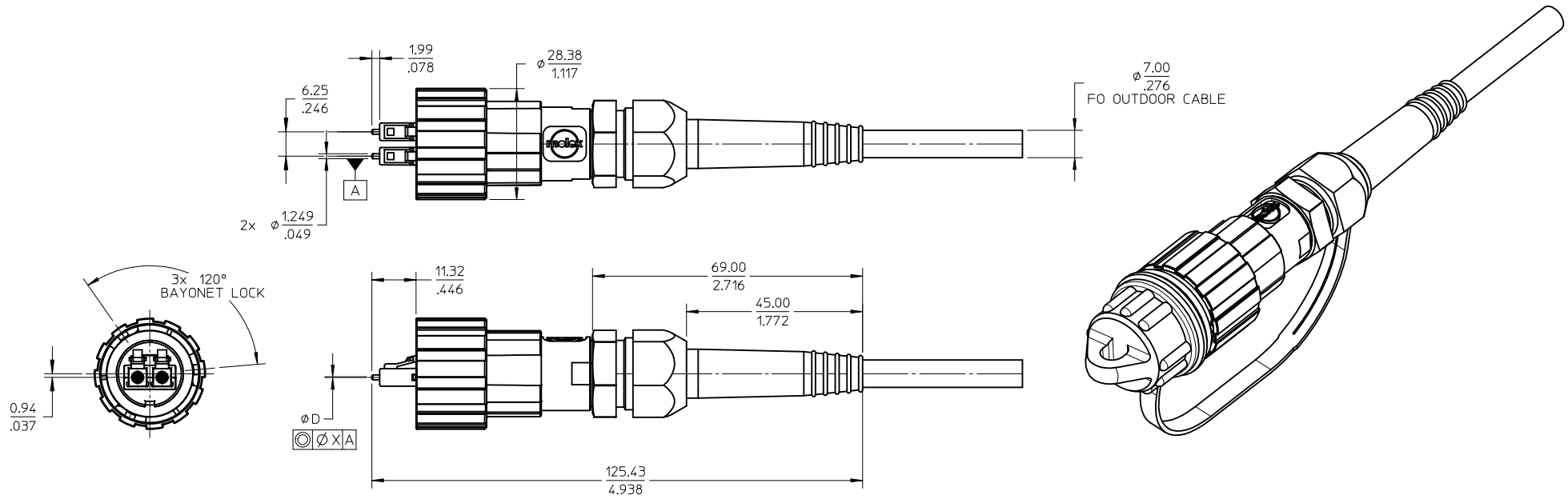
Tel: +86-755-8981 8866 Fax: +86-755-8427 6832

Email & Skype: info@chipsmall.com Web: www.chipsmall.com

Address: A1208, Overseas Decoration Building, #122 Zhenhua RD., Futian, Shenzhen, China



PLUG ASSY P/N	CABLE TYPE	ØD (H)	ØX (H)
1060597100	MULTIMODE	127 +3/-0	3
1060597500	SINGLE MODE	125.5 +0.5/-0	0.5



NOTES:

1. ALL DIMENSIONS SHOWN ARE FOR REFERENCE ONLY.
2. DUST CAP AND TETHER ARE SHOWN IN THE ISOMETRIC VIEW ONLY.

ENTER DESCRIPTION EC NO: MF2011-0319 IT/DRWN:YBEDNYAK 2011/02/10 CHKD: APPR:WCHEN 2011/03/01 REV DESCRIPTION	QUALITY SYMBOLS ▽=0 ▽=0	GENERAL TOLERANCES (UNLESS SPECIFIED) mm INCH 4 PLACES ±--- ±--- 3 PLACES ±--- ±--- 2 PLACES ±--- ±--- 1 PLACE ±--- ±--- ANGULAR ±---°	DIMENSION STYLE MM/IN DRAWN BY DATE B. ANDREI 11/02/2006 CHECKED BY DATE S. MIGO 12/4/2006 APPROVED BY DATE WCHEN 2010/10/05	SCALE 1:1 DESIGN UNITS METRIC THIRD ANGLE PROJECTION
	DRAFT WHERE APPLICABLE MUST REMAIN WITHIN DIMENSIONS			TITLE PLUG ASSEMBLY METAL BODY INDUSTRIAL LC WITH LOGO MOLEX INCORPORATED
	MATERIAL NO. SEE TABLE		DOCUMENT NO. SD-106059-7100	SHEET NO. 1 OF 1
	THIS DRAWING CONTAINS INFORMATION THAT IS PROPRIETARY TO MOLEX INCORPORATED AND SHOULD NOT BE USED WITHOUT WRITTEN PERMISSION			