



Chipsmall Limited consists of a professional team with an average of over 10 year of expertise in the distribution of electronic components. Based in Hongkong, we have already established firm and mutual-benefit business relationships with customers from,Europe,America and south Asia,supplying obsolete and hard-to-find components to meet their specific needs.

With the principle of “Quality Parts,Customers Priority,Honest Operation,and Considerate Service”,our business mainly focus on the distribution of electronic components. Line cards we deal with include Microchip,ALPS,ROHM,Xilinx,Pulse,ON,Everlight and Freescale. Main products comprise IC,Modules,Potentiometer,IC Socket,Relay,Connector.Our parts cover such applications as commercial,industrial, and automotives areas.

We are looking forward to setting up business relationship with you and hope to provide you with the best service and solution. Let us make a better world for our industry!



## Contact us

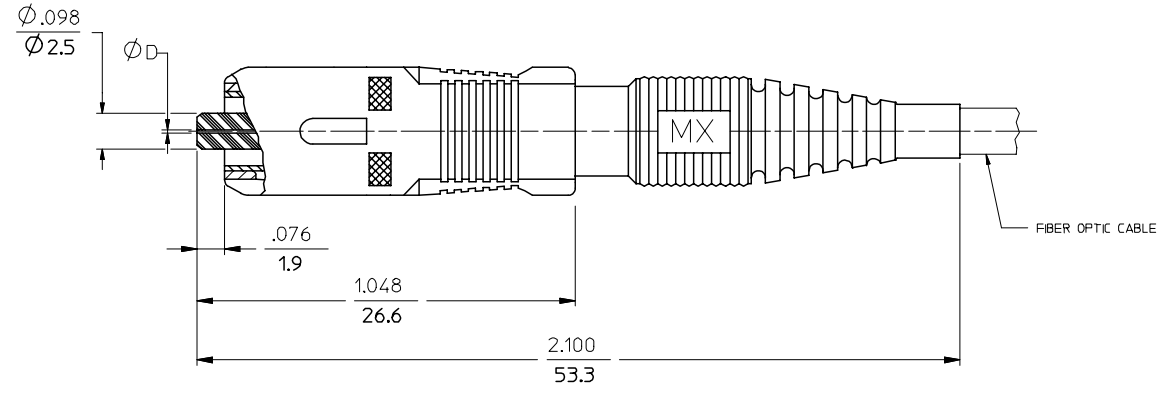
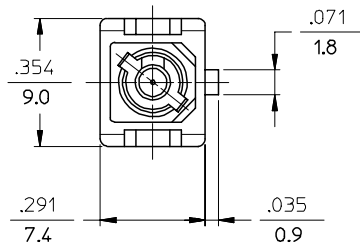
Tel: +86-755-8981 8866 Fax: +86-755-8427 6832

Email & Skype: info@chipsmall.com Web: www.chipsmall.com

Address: A1208, Overseas Decoration Building, #122 Zhenhua RD., Futian, Shenzhen, China



CONNECTOR P/N	Ø (4th)	FERRULE MATERIAL	BOOT COLOR	HOUSING COLOR	CONNECTOR TYPE	CABLE (mm)	CONNECTOR P/N	Ø (4th)	FERRULE MATERIAL	BOOT COLOR	HOUSING COLOR	CONNECTOR TYPE	CABLE (mm)						
106063-0000	127	Zr	BLUE	BLUE	MULTIMODE	3	106063-4000	125	Zr	YELLOW	BLUE	SINGLE MODE	3						
106063-0100								106063-4100		125.25	RED			RED					
106063-0060								106063-4080		125	BLACK			BLACK					
106063-0099			LOW COST Zr	BEIGE			BEIGE	106063-4070			YELLOW			BLUE					
106063-0090								106063-5000			RED			RED					
106063-0360		125.5	Zr	RED	RED	SINGLE MODE	3	106063-5100		126	RED			RED	SINGLE MODE	2.4			
106063-0360										106063-5080	126			BLACK			BLACK		
106063-0080										106063-5070	127			YELLOW			BLUE		
106063-0070										106063-7000				RED			RED		
106063-2000										106063-7080				BLACK			BLACK		
106063-2080								106063-7070		BLUE	BLUE								
106063-2070								106063-0300		YELLOW	BLUE								
106063-3000	128			Zr	BLUE			BLUE	MULTIMODE	2.4	106063-0310	125	YELLOW	BLUE			MULTIMODE	3	
106063-3060												106063-4300	125	YELLOW					BLUE
106063-3080												106063-5300	126	YELLOW					BLUE
106063-3070						106063-5310	126	YELLOW			BLUE								
						106063-5099		LOW COST Zr			YELLOW	BLUE							



NOTES:  
 1. ALL DIMENSIONS ARE FOR REFERENCE ONLY.  
 △ P/N 106063-0090, P/N 106063-5100, P/N 106063-0100, P/N 106063-0310 AND P/N 106063-5310 ARE BULK PACKED IN QUANTITIES OF 100 PCS.

ENTER DESCRIPTION EC NO: MF2008-0131 DRAWN/REV: ZNER 2007/09/21 CHKD: 2007/09/21 APPR: JGUMIN 2007/09/25 REV: C2	QUALITY SYMBOLS	GENERAL TOLERANCES (UNLESS SPECIFIED)	DIMENSION STYLE	SCALE	DESIGN UNITS	THIRD ANGLE PROJECTION	
	▽=0 ▽=0	mm INCH	IN/MM	5:1	INCH		
		4 PLACES ± --- ± --- 3 PLACES ± --- ± --- 2 PLACES ± --- ± --- 1 PLACE ± --- ± ---	DRAWN BY DATE RPACIFICI 2005/12/22	TITLE SC CONNECTOR (ONE PIECE DESIGN)			
		ANGULAR ±1/2°	CHECKED BY DATE APPROVED BY DATE	MATERIAL NO. DOCUMENT NO. SHEET NO. SEE TABLE SD-106063-XXX0 1 OF 1			
DRAFT WHERE APPLICABLE MUST REMAIN WITHIN DIMENSIONS			THIS DRAWING CONTAINS INFORMATION THAT IS PROPRIETARY TO MOLEX INCORPORATED AND SHOULD NOT BE USED WITHOUT WRITTEN PERMISSION				