



Chipsmall Limited consists of a professional team with an average of over 10 year of expertise in the distribution of electronic components. Based in Hongkong, we have already established firm and mutual-benefit business relationships with customers from,Europe,America and south Asia,supplying obsolete and hard-to-find components to meet their specific needs.

With the principle of “Quality Parts,Customers Priority,Honest Operation,and Considerate Service”,our business mainly focus on the distribution of electronic components. Line cards we deal with include Microchip,ALPS,ROHM,Xilinx,Pulse,ON,Everlight and Freescale. Main products comprise IC,Modules,Potentiometer,IC Socket,Relay,Connector.Our parts cover such applications as commercial,industrial, and automotives areas.

We are looking forward to setting up business relationship with you and hope to provide you with the best service and solution. Let us make a better world for our industry!



Contact us

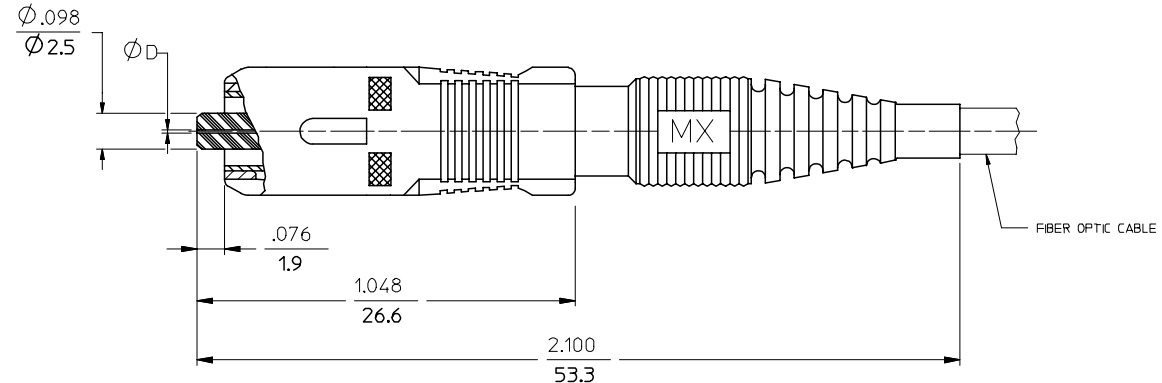
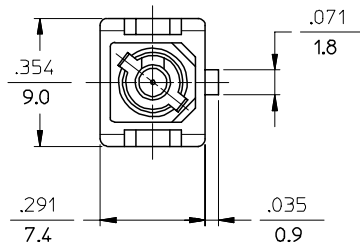
Tel: +86-755-8981 8866 Fax: +86-755-8427 6832

Email & Skype: info@chipsmall.com Web: www.chipsmall.com

Address: A1208, Overseas Decoration Building, #122 Zhenhua RD., Futian, Shenzhen, China



CONNECTOR P/N	Ø (4th)	FERRULE MATERIAL	BOOT COLOR	HOUSING COLOR	CONNECTOR TYPE	CABLE (mm)	CONNECTOR P/N	Ø (4th)	FERRULE MATERIAL	BOOT COLOR	HOUSING COLOR	CONNECTOR TYPE	CABLE (mm)		
106063-0000	127	Zr	BLUE	BLUE	MULTIMODE	3	106063-4000	125	Zr	YELLOW	BLUE	SINGLE MODE	3		
106063-0100								106063-4100		125.25	RED			RED	
106063-0060								106063-4080		125	BLACK			BLACK	
106063-0099			LOW COST Zr	BEIGE			BEIGE	106063-4070			YELLOW			BLUE	
106063-0090								106063-5000		126	RED			RED	
106063-0360					106063-5100	RED	RED								
106063-0080					106063-5080	BLACK	BLACK								
106063-0070					106063-5070	YELLOW	BLUE								
106063-2000					106063-7000	RED	RED								
106063-2080		125.5	Zr	BLACK	BLACK	SINGLE MODE	3	106063-7080		127	BLACK			BLACK	MULTIMODE
106063-2070								106063-7070	BLUE	BLUE					
106063-3000								106063-0300	YELLOW	BLUE					
106063-3060								106063-0310	YELLOW	BLUE					
106063-3080								106063-4300	YELLOW	BLUE					
106063-3070	128		RED	RED	MULTIMODE	2.4	106063-5300	125	YELLOW	BLUE	SINGLE MODE	2.4			
				BLACK			BLACK	106063-5310	126	YELLOW			BLUE		
								106063-5099	126	LOW COST Zr			YELLOW	BLUE	3



NOTES:
 1. ALL DIMENSIONS ARE FOR REFERENCE ONLY.
 △ P/N 106063-0090, P/N 106063-5100, P/N 106063-0100, P/N 106063-0310 AND P/N 106063-5310 ARE BULK PACKED IN QUANTITIES OF 100 PCS.

ENTER DESCRIPTION EC NO: MF2008-0131 DRAWN/KPEV/ZNER 2007/09/21 CHKD: 2007/09/21 APPR: JGUM/IN 2007/09/25 REV: C2	QUALITY SYMBOLS ▽=0 ▽=0	GENERAL TOLERANCES (UNLESS SPECIFIED)		DIMENSION STYLE IN/MM		SCALE 5:1	DESIGN UNITS INCH	THIRD ANGLE PROJECTION		
		mm	INCH	DRAWN BY RPACIFICI	DATE 2005/12/22	SC CONNECTOR (ONE PIECE DESIGN) MOLEX INCORPORATED				
		4 PLACES ± --- ± ---	3 PLACES ± --- ± ---	CHECKED BY	DATE					
		2 PLACES ± --- ± ---	1 PLACE ± --- ± ---	APPROVED BY		DATE	MATERIAL NO. DOCUMENT NO. SHEET NO. SEE TABLE SD-106063-XXX0 1 OF 1			
DRAFT WHERE APPLICABLE MUST REMAIN WITHIN DIMENSIONS		ANGULAR ±1/2°		THIS DRAWING CONTAINS INFORMATION THAT IS PROPRIETARY TO MOLEX INCORPORATED AND SHOULD NOT BE USED WITHOUT WRITTEN PERMISSION						