



Chipsmall Limited consists of a professional team with an average of over 10 year of expertise in the distribution of electronic components. Based in Hongkong, we have already established firm and mutual-benefit business relationships with customers from,Europe,America and south Asia,supplying obsolete and hard-to-find components to meet their specific needs.

With the principle of “Quality Parts,Customers Priority,Honest Operation,and Considerate Service”,our business mainly focus on the distribution of electronic components. Line cards we deal with include Microchip,ALPS,ROHM,Xilinx,Pulse,ON,Everlight and Freescale. Main products comprise IC,Modules,Potentiometer,IC Socket,Relay,Connector.Our parts cover such applications as commercial,industrial, and automotives areas.

We are looking forward to setting up business relationship with you and hope to provide you with the best service and solution. Let us make a better world for our industry!



Contact us

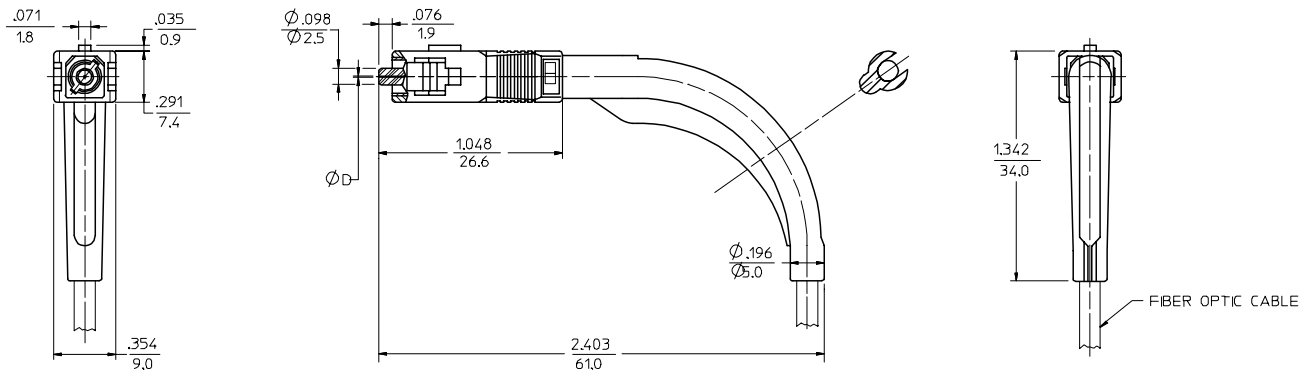
Tel: +86-755-8981 8866 Fax: +86-755-8427 6832

Email & Skype: info@chipsmall.com Web: www.chipsmall.com

Address: A1208, Overseas Decoration Building, #122 Zhenhua RD., Futian, Shenzhen, China



10	9	8	7	6	5	4	3	2	106063		
CONNECTOR P/N	ØD (µm)	HOUSING COLOR	BOOT COLOR	CABLE SIZE (mm)	CONNECTOR TYPE	CONNECTOR P/N	ØD (µm)	HOUSING COLOR	BOOT COLOR	CABLE SIZE (mm)	CONNECTOR TYPE
106063-0600	127	BLUE	BLUE	2.4	MULTIMODE	106063-4400	125	BLUE	YELLOW	3.0	SINGLE MODE
106063-0660		BEIGE	BEIGE			106063-4470		BLACK	BLACK		
106063-0670		BLACK	BLACK			106063-4480		RED	RED		
106063-0400		BLUE	BLUE	3.0		106063-4600	BLUE	YELLOW	2.4		
106063-0460		BEIGE	BEIGE			106063-5400	BLUE	YELLOW	3.0		
106063-0470		BLACK	BLACK			106063-5470	BLACK	BLACK			
106063-0480		RED	RED	106063-5480		RED	RED				
106063-2400	125.5	BLUE	YELLOW	2.4	SINGLE MODE	106063-5600	126	BLUE	YELLOW	2.4	
106063-2600	2.4			106063-7400	127	BLUE		YELLOW	3.0		
106063-3400	3.0			106063-7600		2.4					
106063-3460	128	BEIGE	BEIGE	3.0	MULTIMODE						
106063-3470		BLACK	BLACK								
106063-3480		RED	RED								



NOTE:
FERRULE MATERIAL - ZIRCONIA.

ENTER DESCRIPTION EC NO: MF2008-0136 DRWNGKPEVNER 2007/09/25 CHKD: 2007/09/25 APPR: IGUMIN 2007/09/26	QUALITY SYMBOLS ▽=0 ▽=0	GENERAL TOLERANCES (UNLESS SPECIFIED) mm INCH 4 PLACES ± --- ± --- 3 PLACES ± --- ± --- 2 PLACES ± --- ± --- 1 PLACE ± --- ± --- ANGULAR ±1/2°	DIMENSION STYLE IN/MM DRAWN BY PGIBL IN DATE 2005/09/23 CHECKED BY DATE	SCALE 1.5:1 DESIGN UNITS INCH THIRD ANGLE PROJECTION
	DRAFT WHERE APPLICABLE MUST REMAIN WITHIN DIMENSIONS		APPROVED BY IGUMIN DATE 2005/09/23 MATERIAL NO. SEE TABLE DOCUMENT NO. SD-106063-YYYO	TITLE SC CONNECTOR, 90 DEGREE BOOT MOLEX INCORPORATED SHEET NO. 1 OF 1
	THIS DRAWING CONTAINS INFORMATION THAT IS PROPRIETARY TO MOLEX INCORPORATED AND SHOULD NOT BE USED WITHOUT WRITTEN PERMISSION			
	SIZE B			