



Chipsmall Limited consists of a professional team with an average of over 10 year of expertise in the distribution of electronic components. Based in Hongkong, we have already established firm and mutual-benefit business relationships with customers from,Europe,America and south Asia,supplying obsolete and hard-to-find components to meet their specific needs.

With the principle of “Quality Parts,Customers Priority,Honest Operation,and Considerate Service”,our business mainly focus on the distribution of electronic components. Line cards we deal with include Microchip,ALPS,ROHM,Xilinx,Pulse,ON,Everlight and Freescale. Main products comprise IC,Modules,Potentiometer,IC Socket,Relay,Connector.Our parts cover such applications as commercial,industrial, and automotives areas.

We are looking forward to setting up business relationship with you and hope to provide you with the best service and solution. Let us make a better world for our industry!



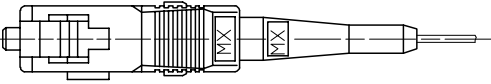
## Contact us

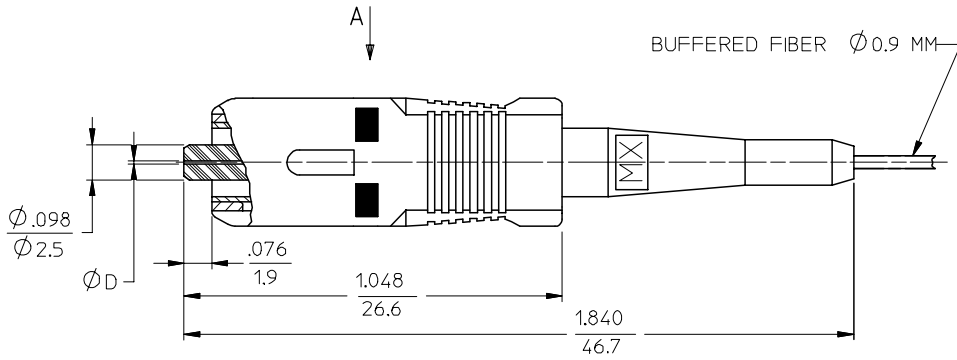
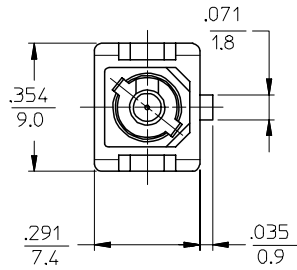
Tel: +86-755-8981 8866 Fax: +86-755-8427 6832

Email & Skype: info@chipsmall.com Web: www.chipsmall.com

Address: A1208, Overseas Decoration Building, #122 Zhenhua RD., Futian, Shenzhen, China



	13	12	11	10	9	8	7	6	5	4	3	2	1	
	CONNECTOR P/N	Ø (Mm)	FERRULE MATERIAL	BOOT COLOR	HOUSING COLOR	CONNECTOR TYPE								
J	106063-0500	127	Zr	BLUE	BLUE	MULTIMODE	 <p style="text-align: center;">VIEW A SCALE 2.5:1</p>							
	106063-0520*			BEIGE	BEIGE									
	106063-0560			BLACK	BLACK									
	106063-0590*			RED	RED									
I	106063-0570	125.5		YELLOW	BLUE	SINGLE MODE								
	106063-2510			BLACK	BLACK									
	106063-2500			RED	RED									
	106063-2570			BLUE	BLUE									
H	106063-2580	128		BEIGE	BEIGE	MULTIMODE								
	106063-3500			BLACK	BLACK									
	106063-3560			RED	RED									
	106063-3570			YELLOW	BLUE									
G	106063-3580	125		BLACK	BLACK	SINGLE MODE								
	106063-4500			RED	RED									
	106063-4510			YELLOW	BLUE									
	106063-5500			BLACK	BLACK									
F	106063-5590*	126	RED	RED	MULTIMODE									
	106063-5570		YELLOW	BLUE										
	106063-5580		BLACK	BLACK										
	106063-7500		RED	RED										
E	106063-3540	127	BEIGE	BEIGE	SINGLE MODE									
	106063-3540	128	BEIGE	BEIGE	MULTIMODE									



NOTES:

- 1. ALL DIMENSIONS ARE FOR REFERENCE ONLY.
- \*2. P/N 106063-0590, P/N 106063-5590, P/N 106063-3540 AND P/N 106063-0520 ARE BULK PACKED IN QUANTITIES OF 100PCS.

ENTER DESCRIPTION EC NO: MF2006-0424 DRAWN/RPACIFICI 2006/01/24 CHKD: 2006/01/24 APPR: JGUMIN 2006/01/24 REVISIONS	QUALITY SYMBOLS	GENERAL TOLERANCES (UNLESS SPECIFIED)		DIMENSION STYLE INCH ONLY		SCALE 4:1	DESIGN UNITS INCH	THIRD ANGLE PROJECTION	
	$\nabla=0$ $\nabla=0$	mm	INCH	DRAWN BY RPACIFICI	DATE 2005/12/22	TITLE SC BARE FIBER CONNECTOR			
		4 PLACES ± --- ± ---	3 PLACES ± --- ± ---	2 PLACES ± --- ± ---	1 PLACE ± --- ± ---	CHECKED BY	DATE	MOLEX INCORPORATED	
		ANGULAR ±1/2°		APPROVED BY		DATE	MATERIAL NO. DOCUMENT NO. SHEET NO. 1 OF 1		
DRAFT WHERE APPLICABLE MUST REMAIN WITHIN DIMENSIONS			SEE TABLE		SD-106063-X5X0				
THIS DRAWING CONTAINS INFORMATION THAT IS PROPRIETARY TO MOLEX INCORPORATED AND SHOULD NOT BE USED WITHOUT WRITTEN PERMISSION									