



Chipsmall Limited consists of a professional team with an average of over 10 year of expertise in the distribution of electronic components. Based in Hongkong, we have already established firm and mutual-benefit business relationships with customers from,Europe,America and south Asia,supplying obsolete and hard-to-find components to meet their specific needs.

With the principle of “Quality Parts,Customers Priority,Honest Operation,and Considerate Service”,our business mainly focus on the distribution of electronic components. Line cards we deal with include Microchip,ALPS,ROHM,Xilinx,Pulse,ON,Everlight and Freescale. Main products comprise IC,Modules,Potentiometer,IC Socket,Relay,Connector.Our parts cover such applications as commercial,industrial, and automotives areas.

We are looking forward to setting up business relationship with you and hope to provide you with the best service and solution. Let us make a better world for our industry!



Contact us

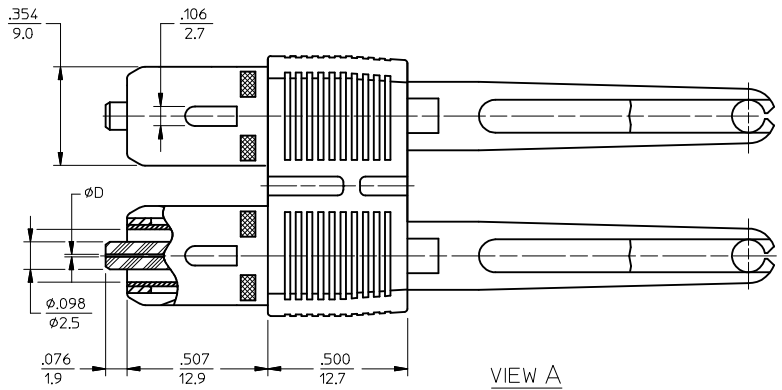
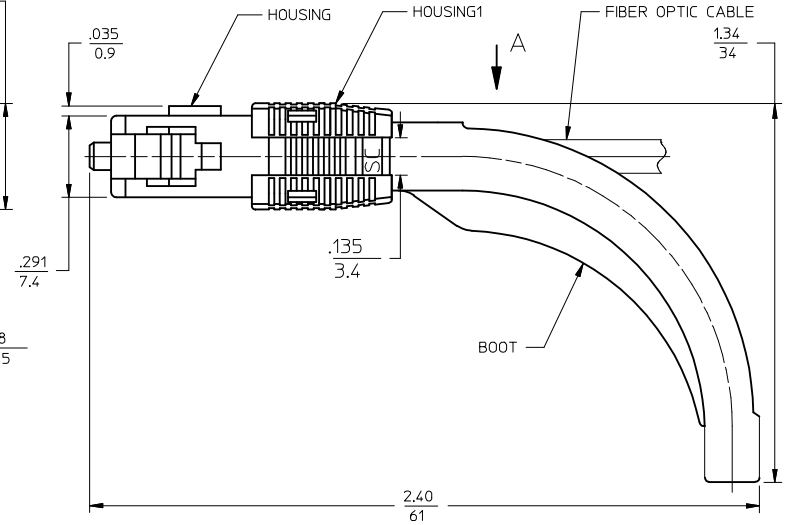
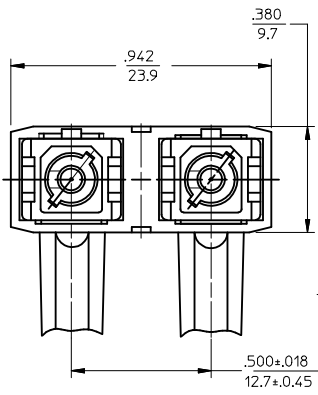
Tel: +86-755-8981 8866 Fax: +86-755-8427 6832

Email & Skype: info@chipsmall.com Web: www.chipsmall.com

Address: A1208, Overseas Decoration Building, #122 Zhenhua RD., Futian, Shenzhen, China



CONNECTOR P/N	ØD mm	HOUSING1, HOUSING, BOOT COLOR	CONNECTOR TYPE	CABLE OD mm
106066-0400	.127	BEIGE	MULTIMODE	3
106066-0600		BLACK		2.4
106066-0470		RED		
106066-0480				
106066-2400	.1255	BLUE	SINGLE MODE	3
106066-2480		RED		
106066-3400	.128	BEIGE	MULTIMODE	3
106066-3470		BLACK		
106066-3480		RED		
106066-4400	.125	BLUE	SINGLE MODE	3
106066-4600				2.4
106066-5400				3
106066-5600				2.4
106066-5480	.126	RED	SINGLE MODE	3
106066-7400		BLUE		



VIEW A

ENTER DESCRIPTION EC NO: MF2010-0026 DRW:MKPEVZNER 2009/07/16 CHKD: 2009/07/17 APPR:WCHEN 2009/07/27 A3	QUALITY SYMBOLS ▽=0 ▽=0	GENERAL TOLERANCES (UNLESS SPECIFIED)		DIMENSION STYLE INCH ONLY		SCALE 1:1	DESIGN UNITS INCH	THIRD ANGLE PROJECTION			
		4 PLACES ± --- ± ---	3 PLACES ± --- ± ---	2 PLACES ± --- ± ---	1 PLACE ± --- ± ---	ANGULAR ±1/2°	DRAWN BY PGIBLIN	DATE 2005/09/27	TITLE SC-D TYPE CONNECTOR 90D BOOT		
		DRAFT WHERE APPLICABLE MUST REMAIN WITHIN DIMENSIONS				MATERIAL NO. SEE TABLE	APPROVED BY	DATE	MOLEX INCORPORATED		
						SIZE B	DOCUMENT NO. SD-106066-YYYO			SHEET NO. 1 OF 01	