



Chipsmall Limited consists of a professional team with an average of over 10 year of expertise in the distribution of electronic components. Based in Hongkong, we have already established firm and mutual-benefit business relationships with customers from,Europe,America and south Asia,supplying obsolete and hard-to-find components to meet their specific needs.

With the principle of “Quality Parts,Customers Priority,Honest Operation,and Considerate Service”,our business mainly focus on the distribution of electronic components. Line cards we deal with include Microchip,ALPS,ROHM,Xilinx,Pulse,ON,Everlight and Freescale. Main products comprise IC,Modules,Potentiometer,IC Socket,Relay,Connector.Our parts cover such applications as commercial,industrial, and automotives areas.

We are looking forward to setting up business relationship with you and hope to provide you with the best service and solution. Let us make a better world for our industry!



Contact us

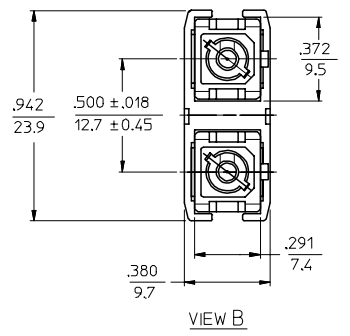
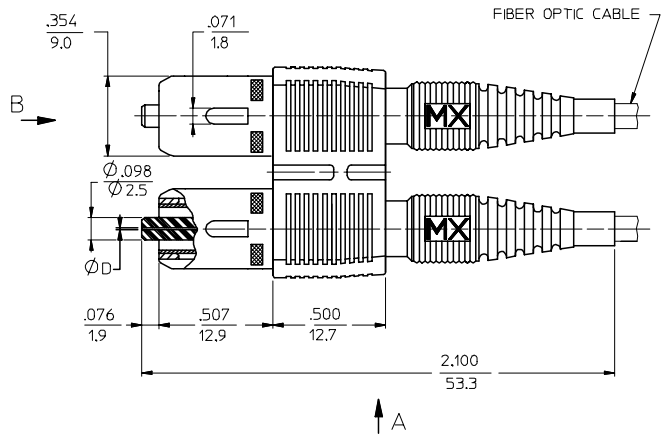
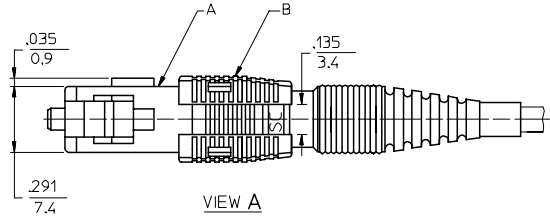
Tel: +86-755-8981 8866 Fax: +86-755-8427 6832

Email & Skype: info@chipsmall.com Web: www.chipsmall.com

Address: A1208, Overseas Decoration Building, #122 Zhenhua RD., Futian, Shenzhen, China



CONNECTOR P/N	Ø mm	MATERIAL OF FERRULE	COLOR OF HOUSING A	COLOR OF HOUSING B	COLOR OF BOOT	CONNECTOR TYPE	CABLE OD mm
106066-0000	.127	ZIRCONIA	BEIGE	BEIGE	BEIGE	MULTIMODE	3
*106066-0010			BLACK	BLACK	BLACK		
106066-0070			RED	RED	RED		
106066-0080	BLUE		BLUE	BLUE	SINGLE MODE		
106066-2000	RED		RED	RED			
106066-2080	.1255		BEIGE	BEIGE	BEIGE	MULTIMODE	
106066-3000			BLACK	BLACK	BLACK		
106066-3070	.128		RED	RED	RED	SINGLE MODE	
106066-3080			BLUE	BLUE	BLUE		
106066-4000	.125		RED	RED	RED	SINGLE MODE	
106066-5000	.126		BLUE	BLUE	BLUE		
106066-5001			RED	RED	RED	MULTIMODE	
106066-5080	.127	BLUE	BLUE	BLUE			
106066-7000		.125	RED	RED	RED	SINGLE MODE	
106066-4300	BLUE		BLUE	BLUE			
106066-5300	.126	BEIGE	BEIGE	BEIGE	MULTIMODE		
106066-0300	.127	BEIGE	BEIGE	BEIGE			



NOTES:
 1. DUST CAPS ARE NOT SHOWN.
 *2. P/N 106066-5001 AND P/N 106066-0010 ARE BULK PACKED IN QUANTITIES OF 100 PCS.

EC NO: MF2006-0424 DRAWN/RPACIFIC I 2006/01/24 CHKD: 2006/01/24 APPR: JGUMIN 2006/01/24 REVISION DESCRIPTION	QUALITY SYMBOLS	GENERAL TOLERANCES (UNLESS SPECIFIED)	DIMENSION STYLE IN/MM	SCALE 4:1	DESIGN UNITS INCH	THIRD ANGLE PROJECTION
	▽=0	mm INCH	DRAWN BY RPACIFIC I DATE 2005/12/22	TITLE SC-D TYPE CONNECTOR		
	▽=0	4 PLACES ± --- ± ---	CHECKED BY DATE	APPROVED BY DATE		
		3 PLACES ± --- ± ---	APPROVED BY DATE		MATERIAL NO. DOCUMENT NO. SHEET NO.	
	2 PLACES ± --- ± ---	ANGULAR ±1/2°		MOLEX INCORPORATED		1 OF 01
	1 PLACE ± --- ± ---	DRAFT WHERE APPLICABLE MUST REMAIN WITHIN DIMENSIONS		SEE TABLE SD-106066-XXX0		
		SIZE C		THIS DRAWING CONTAINS INFORMATION THAT IS PROPRIETARY TO MOLEX INCORPORATED AND SHOULD NOT BE USED WITHOUT WRITTEN PERMISSION		