



Chipsmall Limited consists of a professional team with an average of over 10 year of expertise in the distribution of electronic components. Based in Hongkong, we have already established firm and mutual-benefit business relationships with customers from,Europe,America and south Asia,supplying obsolete and hard-to-find components to meet their specific needs.

With the principle of "Quality Parts,Customers Priority,Honest Operation,and Considerate Service",our business mainly focus on the distribution of electronic components. Line cards we deal with include Microchip,ALPS,ROHM,Xilinx,Pulse,ON,Everlight and Freescale. Main products comprise IC,Modules,Potentiometer,IC Socket,Relay,Connector.Our parts cover such applications as commercial,industrial, and automotives areas.

We are looking forward to setting up business relationship with you and hope to provide you with the best service and solution. Let us make a better world for our industry!



## Contact us

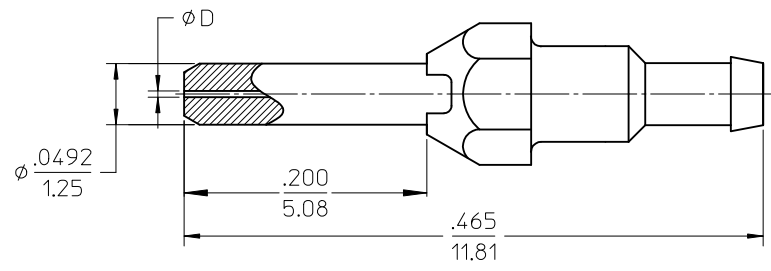
Tel: +86-755-8981 8866 Fax: +86-755-8427 6832

Email & Skype: info@chipsmall.com Web: www.chipsmall.com

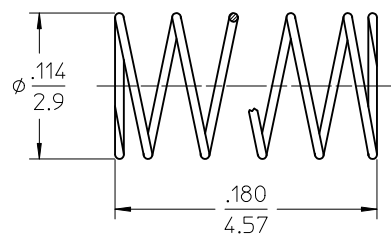
Address: A1208, Overseas Decoration Building, #122 Zhenhua RD., Futian, Shenzhen, China



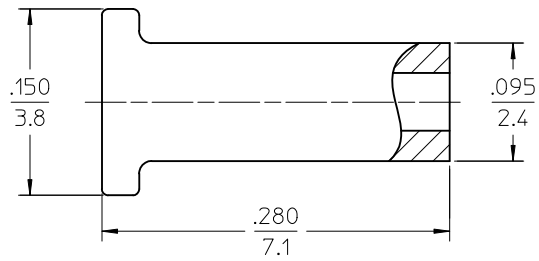
P/N	∅D in [mm]
106073-0022	.0049 [0.1255]
106073-0027	.0050 [0.126]



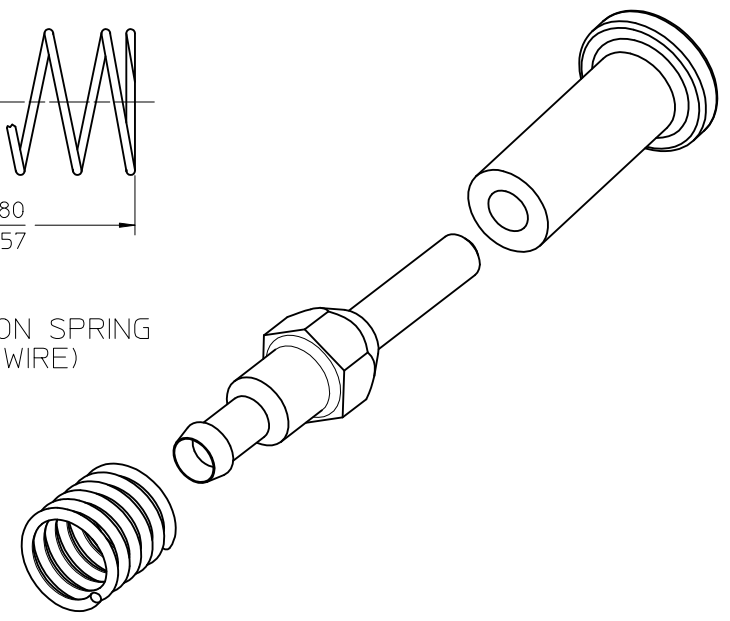
LC PLUG, METAL BODY  
(ZIRCONIA CERAMIC FERRULE)



COMPRESSION SPRING  
(MUSIC WIRE)



DUST CAP



ISOMETRIC VIEW  
SCALE 8:1

- NOTES:
1. ALL DIMENSIONS ARE FOR REFERENCE ONLY.
  2. ALL PARTS ARE PACKED IN ONE BAG - 1 KIT PER BAG.
  3. ALL PLASTIC MATERIALS ARE UL-94 V-0 RATED.

<b>ENTER DESCRIPTION</b> EC NO: MF2010-0576 DRAWN: YBEDNYAK 2010/06/28 CHKD: 2010/06/29 APPR: WCHEN 2010/06/29	<b>QUALITY SYMBOLS</b> ▽=0 ∇=0	<b>GENERAL TOLERANCES (UNLESS SPECIFIED)</b>		<b>DIMENSION STYLE</b> IN/MM		SCALE 10:1	DESIGN UNITS INCH	THIRD ANGLE PROJECTION			
		4 PLACES ± --- ± --- 3 PLACES ± --- ± --- 2 PLACES ± --- ± --- 1 PLACE ± --- ± ---	mm INCH	DRAWN BY KP	DATE 01/25/2006	TITLE SNAP MATE PLUG (SM) AND COMPRESSION SPRING KIT					
		ANGULAR ±1/2°		CHECKED BY	DATE	APPROVED BY IGUMIN					
		DRAFT WHERE APPLICABLE MUST REMAIN WITHIN DIMENSIONS		MATERIAL NO. SEE TABLE	DATE 2010/03/18	Molex MOLEX INCORPORATED				DOCUMENT NO. SD-106073-0022	SHEET NO. 1 OF 1