



Chipsmall Limited consists of a professional team with an average of over 10 year of expertise in the distribution of electronic components. Based in Hongkong, we have already established firm and mutual-benefit business relationships with customers from,Europe,America and south Asia,supplying obsolete and hard-to-find components to meet their specific needs.

With the principle of "Quality Parts,Customers Priority,Honest Operation,and Considerate Service",our business mainly focus on the distribution of electronic components. Line cards we deal with include Microchip,ALPS,ROHM,Xilinx,Pulse,ON,Everlight and Freescale. Main products comprise IC,Modules,Potentiometer,IC Socket,Relay,Connector.Our parts cover such applications as commercial,industrial, and automotives areas.

We are looking forward to setting up business relationship with you and hope to provide you with the best service and solution. Let us make a better world for our industry!



## Contact us

Tel: +86-755-8981 8866 Fax: +86-755-8427 6832

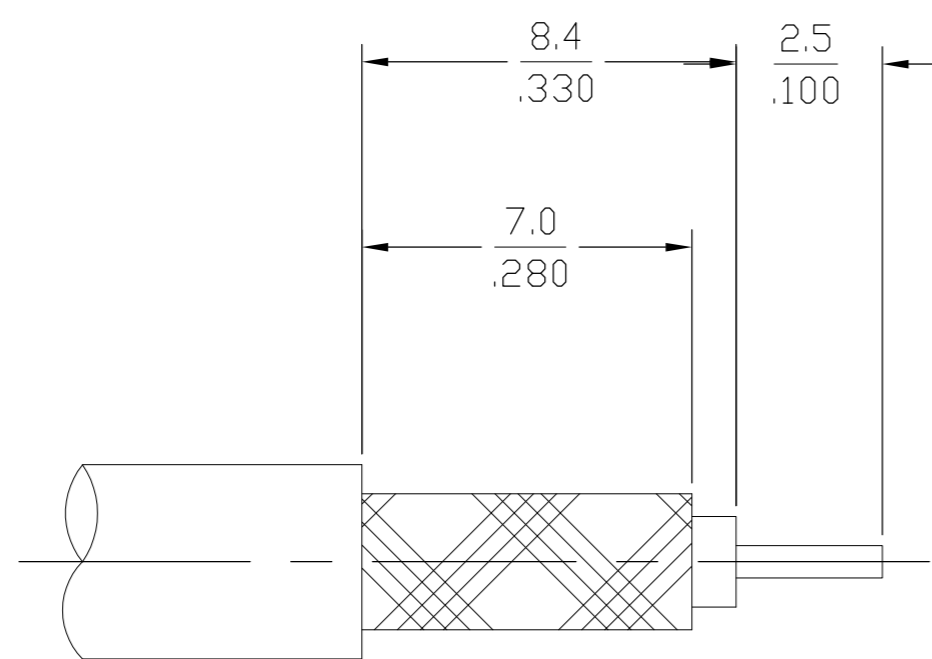
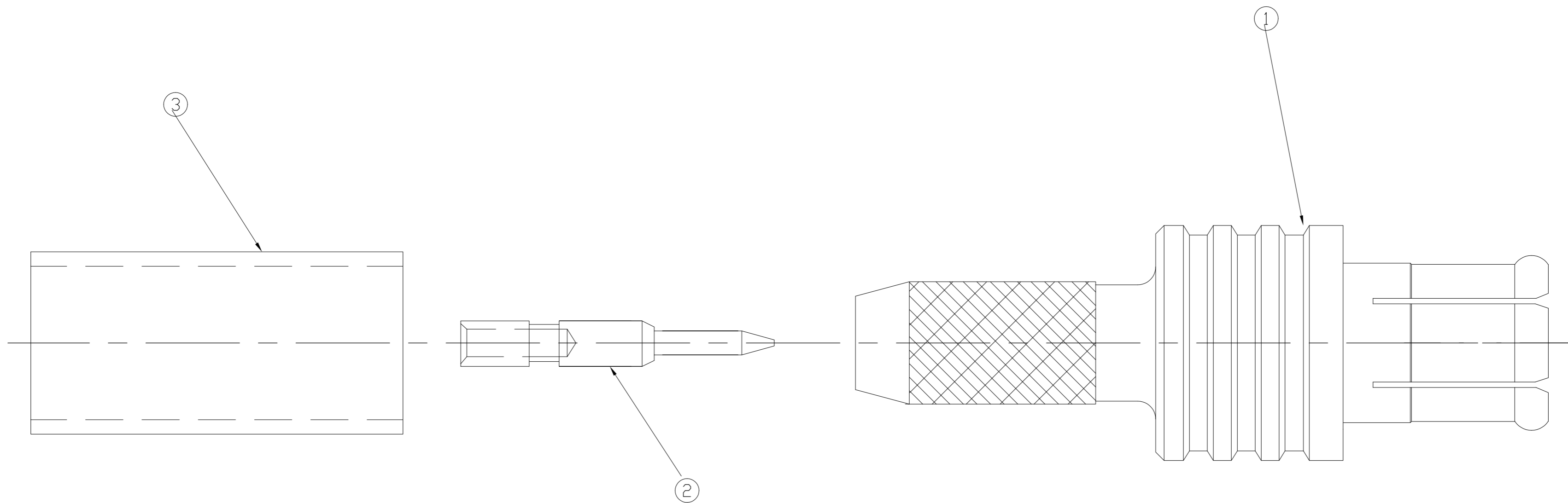
Email & Skype: info@chipsmall.com Web: www.chipsmall.com

Address: A1208, Overseas Decoration Building, #122 Zhenhua RD., Futian, Shenzhen, China



THIS DRAWING IS UNPUBLISHED. RELEASED FOR PUBLICATION  
 © COPYRIGHT BY TYCO ELECTRONICS CORPORATION. ALL RIGHTS RESERVED.

LOC		DIST		REVISIONS			
P	LTR	DESCRIPTION		DATE	DWN	APVD	
	C	REV PER ECO 08-007172		26MAR2008	DW	JL	



RECOMMENDED STRIP LENGTH

RD316/U	3-413889-2	1408060-2	1408063-1	1060875-2
RD316/U	2-413889-7	1408060-2	1408063-2	1060875-1
CABLE SIZE	FERRULE (3) QTY=1	CONTACT (2) QTY=1	PLUG ASSEMBLY (1) QTY=1	PART NUMBER

THIS DRAWING IS A CONTROLLED DOCUMENT.		DWN	05APR2007	
DIMENSIONS: INCHES		CHK	-	
TOLERANCES UNLESS OTHERWISE SPECIFIED:		APVD	-	
0 PLC ± -		PRODUCT SPEC	-	
1 PLC ± -		APPLICATION SPEC	-	
2 PLC ± -		408-10131	SIZE	A2
3 PLC ± -		WEIGHT	CAGE CODE	00779
4 PLC ± -		CUSTOMER DRAWING	DRAWING NO	C=1060875
ANGLES ± -		SCALE	10:1	
FINISH		SHEET	1 of 1	
-		REV	C	

**Tyco Electronics** Tyco Electronics Corporation  
Harrisburg, PA 17105-3608

MCX CABLE PLUG,  
CRIMP ATTACHMENT

1060875