



Chipsmall Limited consists of a professional team with an average of over 10 year of expertise in the distribution of electronic components. Based in Hongkong, we have already established firm and mutual-benefit business relationships with customers from,Europe,America and south Asia,supplying obsolete and hard-to-find components to meet their specific needs.

With the principle of “Quality Parts,Customers Priority,Honest Operation,and Considerate Service”,our business mainly focus on the distribution of electronic components. Line cards we deal with include Microchip,ALPS,ROHM,Xilinx,Pulse,ON,Everlight and Freescale. Main products comprise IC,Modules,Potentiometer,IC Socket,Relay,Connector.Our parts cover such applications as commercial,industrial, and automotives areas.

We are looking forward to setting up business relationship with you and hope to provide you with the best service and solution. Let us make a better world for our industry!



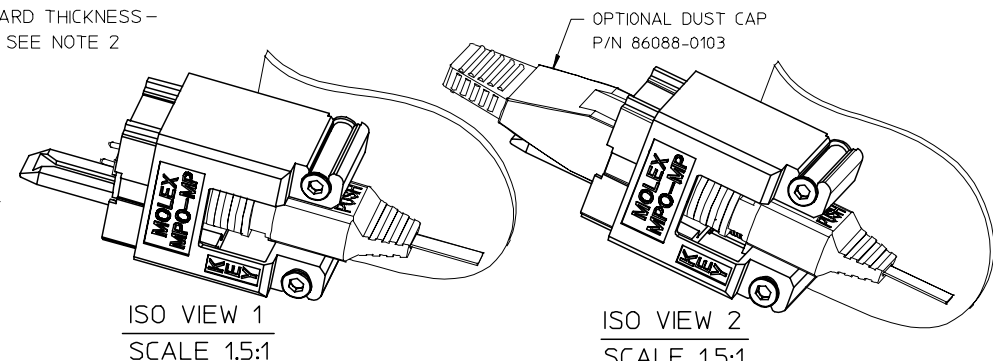
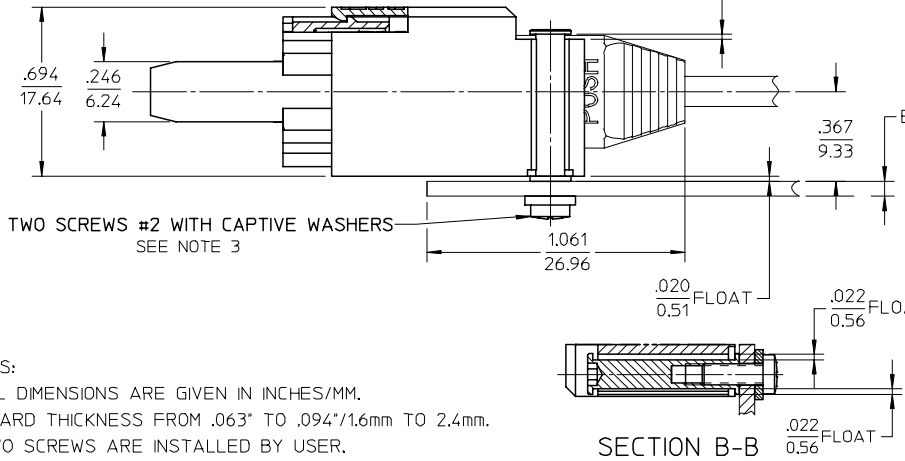
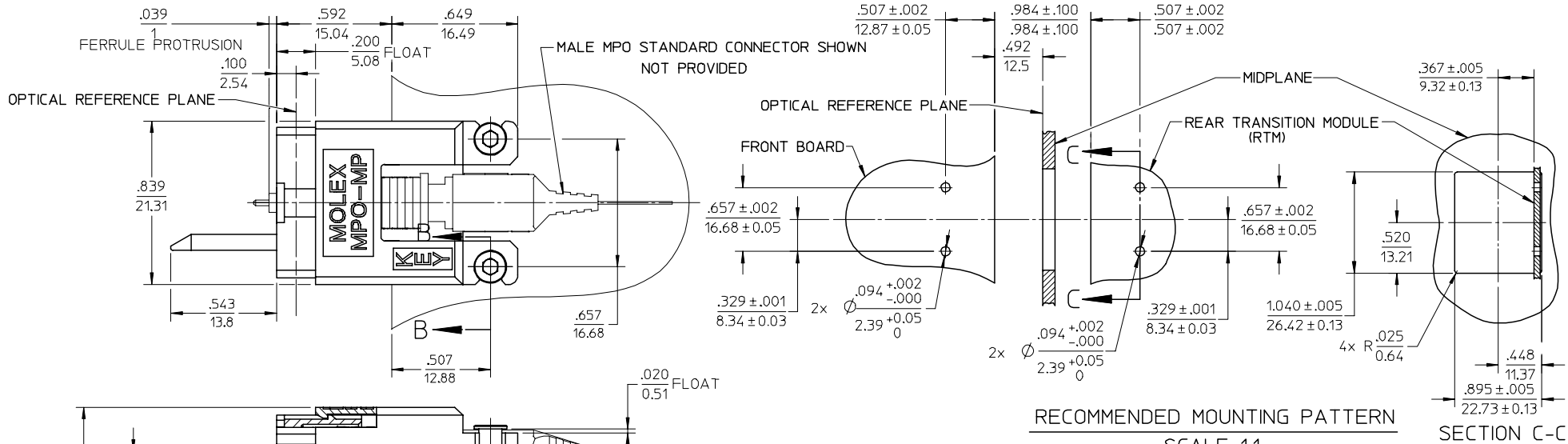
Contact us

Tel: +86-755-8981 8866 Fax: +86-755-8427 6832

Email & Skype: info@chipsmall.com Web: www.chipsmall.com

Address: A1208, Overseas Decoration Building, #122 Zhenhua RD., Futian, Shenzhen, China





- NOTES:
1. ALL DIMENSIONS ARE GIVEN IN INCHES/MM.
 2. BOARD THICKNESS FROM .063" TO .094"/1.6mm TO 2.4mm.
 3. TWO SCREWS ARE INSTALLED BY USER.
RECOMMENDED TORQUE: 2.5 TO 4 INCHLBS (0.28 TO 0.45 N.m)
DEPENDENT ON SUBSTRATE MATERIAL.
USER IS RESPONSIBLE TO DETERMINE THE PROPER TORQUE.
 4. MIDPLANE, FRONT BOARD AND REAR TRANSITION MODULE (RTM) SHOULD HAVE ALIGNMENT AND KEYING ACCORDING TO ATCA REQUIREMENTS.
 5. NO OPTICAL CONNECTIONS SHALL BE MADE UNTIL MIDPLANE (BACKPLANE) ALIGNMENT PINS CONNECTED WITH FEMALE RECEPTACLES OF THE FRONT BOARD AND REAR TRANSITION MODULE (RTM).

ENTER DESCRIPTION EC NO: MF2006-0272 DRWN: YBELENYI 2005/10/31 CHKD: SMIGO 2005/11/01 APPR: IMAKHLIN 2005/11/01	QUALITY SYMBOLS ▽=0 ▽=0	GENERAL TOLERANCES (UNLESS SPECIFIED)		DIMENSION STYLE IN/MM		SCALE 2:1	DESIGN UNITS INCH	THIRD ANGLE PROJECTION	
						DRAWN BY YB		DATE 10.28.05	TITLE MPO MIDPLANE CONNECTOR
						CHECKED BY SM		DATE 10.28.05	
						APPROVED BY IM		DATE 10.28.05	MOLEX INCORPORATED MATERIAL NO. 1060880100 DOCUMENT NO. SD-106088-0100
		DRAFT WHERE APPLICABLE MUST REMAIN WITHIN DIMENSIONS		SIZE B		SHEET NO. 1 OF 1			
						THIS DRAWING CONTAINS INFORMATION THAT IS PROPRIETARY TO MOLEX INCORPORATED AND SHOULD NOT BE USED WITHOUT WRITTEN PERMISSION			