



Chipsmall Limited consists of a professional team with an average of over 10 year of expertise in the distribution of electronic components. Based in Hongkong, we have already established firm and mutual-benefit business relationships with customers from,Europe,America and south Asia,supplying obsolete and hard-to-find components to meet their specific needs.

With the principle of “Quality Parts,Customers Priority,Honest Operation,and Considerate Service”,our business mainly focus on the distribution of electronic components. Line cards we deal with include Microchip,ALPS,ROHM,Xilinx,Pulse,ON,Everlight and Freescale. Main products comprise IC,Modules,Potentiometer,IC Socket,Relay,Connector.Our parts cover such applications as commercial,industrial, and automotives areas.

We are looking forward to setting up business relationship with you and hope to provide you with the best service and solution. Let us make a better world for our industry!



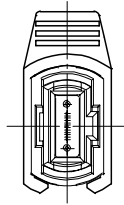
## Contact us

Tel: +86-755-8981 8866 Fax: +86-755-8427 6832

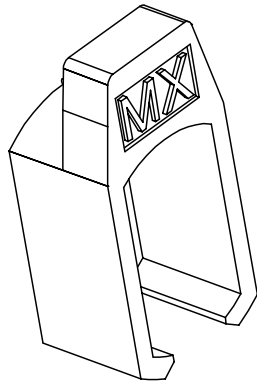
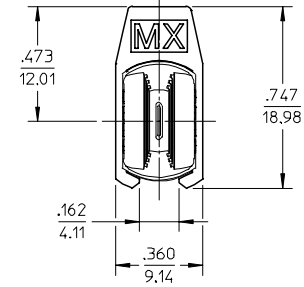
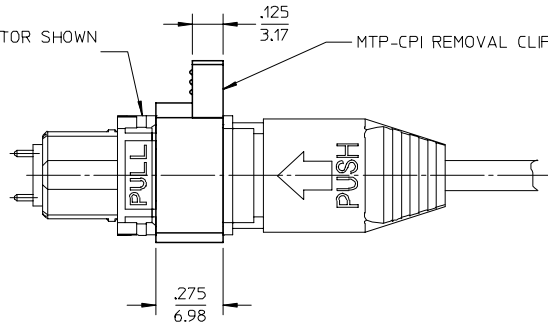
Email & Skype: info@chipsmall.com Web: www.chipsmall.com

Address: A1208, Overseas Decoration Building, #122 Zhenhua RD., Futian, Shenzhen, China

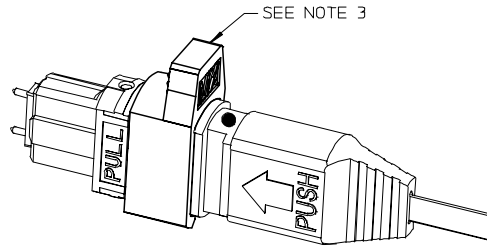




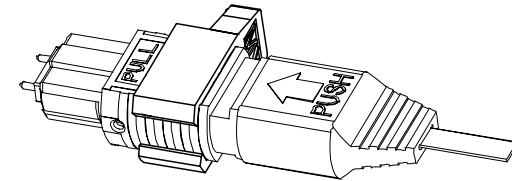
MALE MTP STANDARD CONNECTOR SHOWN  
NOT PROVIDED



ISO VIEW 1  
SCALE 4:1



ISO VIEW 2



ISO VIEW 3

NOTES:

1. ALL DIMENSIONS ARE IN IN/MM.
2. ALL DIMENSIONS ARE FOR REFERENCE.
3. IN ORDER TO INSURE PROPER FUNCTIONALITY  
SNAP MTP-CPI REMOVAL CLIP ONTO MTP CONNECTOR  
AS SHOWN IN ISO VIEW 2.
4. MTP-CPI REMOVAL CLIP NEEDS TO BE INSTALLED ONTO  
MTP CONNECTOR PRIOR TO INSERTING THE MTP CONNECTOR  
INTO MTP-CPI CONNECTOR.

ENTER DESCRIPTION EC NO: MF2006-0261 DRWN: YBELENYI 2006/01/03 CHKD: SMIGO 2006/01/04 APPR: IMAXHLIN 2006/01/04 A	QUALITY SYMBOLS ▽=0 ▽=0	GENERAL TOLERANCES (UNLESS SPECIFIED)		DIMENSION STYLE IN/MM	SCALE 2:1	DESIGN UNITS INCH	THIRD ANGLE PROJECTION
		4 PLACES ± --- ± --- 3 PLACES ± --- ± --- 2 PLACES ± --- ± --- 1 PLACE ± --- ± --- ANGULAR ± ---°	DRAWN BY YB	DATE 12.28.05	MTP-CPI REMOVAL CLIP		
		DRAFT WHERE APPLICABLE MUST REMAIN WITHIN DIMENSIONS	CHECKED BY SM	DATE 12.28.05			
			APPROVED BY IM	DATE 12.28.05	MOLEX INCORPORATED		
		MATERIAL NO. 1060880800	DOCUMENT NO. SD-106088-0800	SHEET NO. 1 OF 1			