



Chipsmall Limited consists of a professional team with an average of over 10 year of expertise in the distribution of electronic components. Based in Hongkong, we have already established firm and mutual-benefit business relationships with customers from,Europe,America and south Asia,supplying obsolete and hard-to-find components to meet their specific needs.

With the principle of “Quality Parts,Customers Priority,Honest Operation,and Considerate Service”,our business mainly focus on the distribution of electronic components. Line cards we deal with include Microchip,ALPS,ROHM,Xilinx,Pulse,ON,Everlight and Freescale. Main products comprise IC,Modules,Potentiometer,IC Socket,Relay,Connector.Our parts cover such applications as commercial,industrial, and automotives areas.

We are looking forward to setting up business relationship with you and hope to provide you with the best service and solution. Let us make a better world for our industry!



Contact us

Tel: +86-755-8981 8866 Fax: +86-755-8427 6832

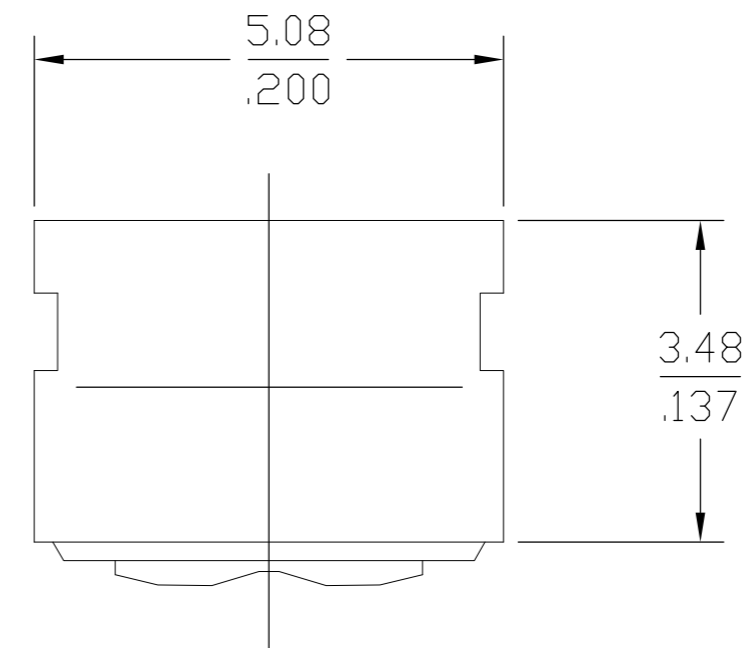
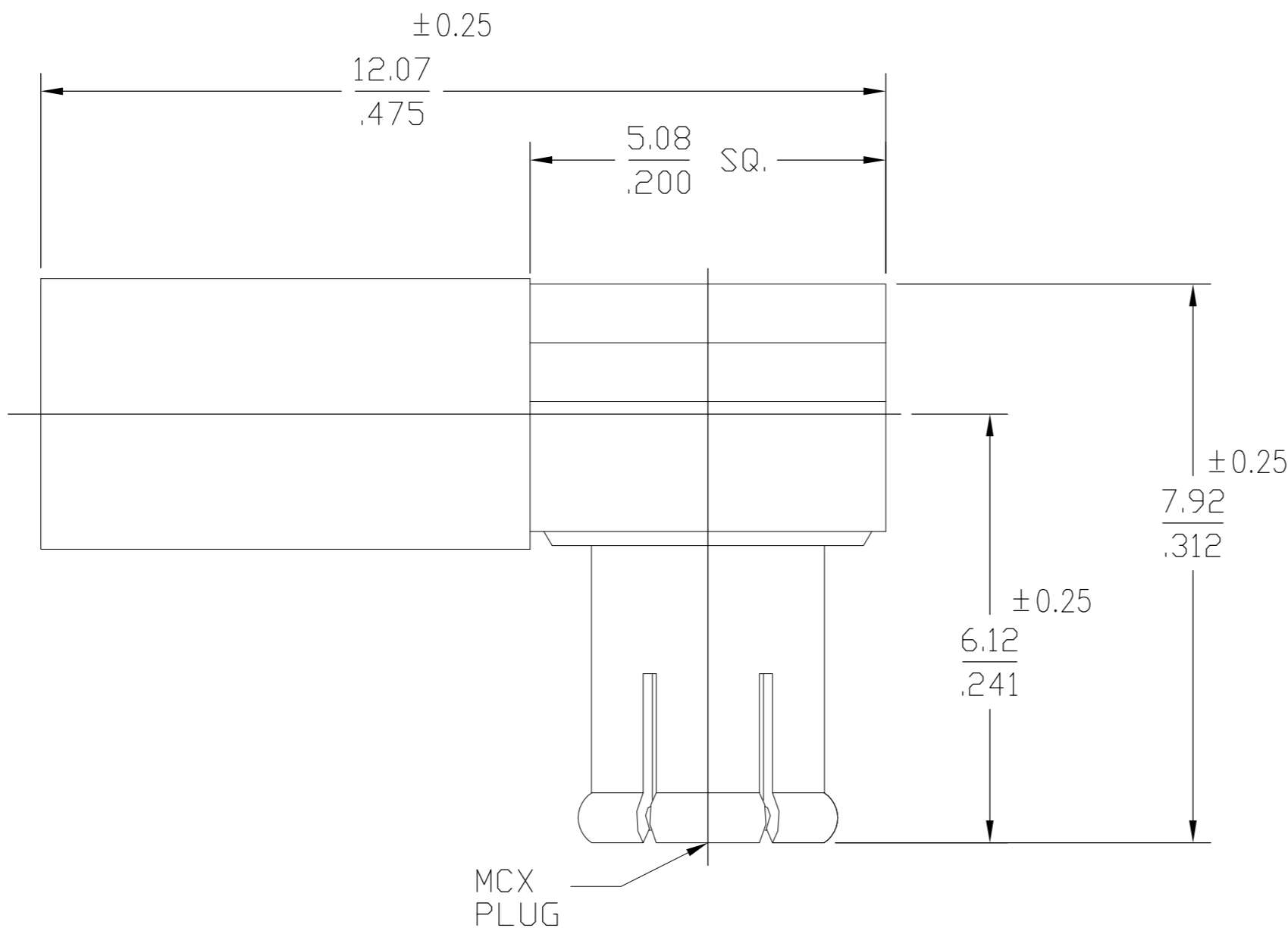
Email & Skype: info@chipsmall.com Web: www.chipsmall.com

Address: A1208, Overseas Decoration Building, #122 Zhenhua RD., Futian, Shenzhen, China



THIS DRAWING IS UNPUBLISHED. RELEASED FOR PUBLICATION
 © COPYRIGHT - By - ALL RIGHTS RESERVED.

LOC		DIST		REVISIONS					
AJ		00		P	LTR	DESCRIPTION	DATE	DWN	APVD
				B1		REVISED PER ECO-11-005030	28MAR11	RK	HMR



1. SEE INSTRUCTION SHEET
408-4633

1060891-1
PART NUMBER

DESIGNED FOR USE WITH RG-174/U, RG-188/U, RG-316/U, RG-179/U RG-187/U FLEX CABLE & JUNKOSHA CABLE A12B0426	
CABLE ENTRY DIAMETER MINIMUM	
CONTACT	.024 SLOT
HOUSING	.067
FERRULE	.125

XX.X = mm
.XXX = in.

ELECTRICAL	MECHANICAL	ENVIRONMENTAL
Nominal Impedance (Ohms) 50	Force to Engage (lbs MAX) 3.4	TEMPERATURE RATING -65° TO +165°C
Frequency Range (GHz) DC to 6	& Disengage (lbs) 1.77 MIN 4.5 MAX	Vibration MIL-STD-202, Method 204, Condition B
Volt Rating (VRMS MAX) @ Sea Level 335	Center Contact Captivation Designed to Maintain MCX Interface When Mating	Thermal Shock MIL-STD-202, Method 102, Condition B
VSWR 1.25 MAX @ 4 GHz		Moisture Resistance MIL-STD-202, Method 106D, 10 Cycles, 96 Hours
1.35 MAX @ 6 GHz		Corrosion - MIL-STD-202, Method 101, Condition B
Insertion Loss .1dB MAX/1000 MHz		
Corona, 70,000 Ft (VRMS MIN) 250		
Dielectric Withstanding Voltage (VRMS MIN) @ Sea Level 1000		
Contact Resistance (Milliohms MAX)		
Center Contact 5.0		
Outer Contact 1.0		
Cable to Housing 1.0		
RF High Potential @ Sea Level (VRMS MIN @ 5 MHz) 670		
I.R.(Megohms MIN) 10,000		

COMPONENT	MATERIAL	FINISH
HOUSING CAP CENTER CONTACT	BRASS PER ASTM-B-16, HALF HARD	NICKEL PLATE PER QQ-N-290
DIELECTRIC	PTFE FLUOROCARBON PER ASTM-D-1457	N/A
CONTACT FINGERS	BERYLLIUM COPPER PER ASTM-B-196 OR ASTM-B-197, ALLOY C17300, CONDITION H	GOLD PLATE PER MIL-G-45204
FERRULE	COPPER OR BRASS ALLOY ROCKWELL F65 MAXIMUM	NICKEL PLATE PER QQ-N-290

THIS DRAWING IS A CONTROLLED DOCUMENT.		DWN K.C.MAHER 2/20/91	TE Connectivity
DIMENSIONS: mm [INCHES]		CHK BB 2/21/91	
TOLERANCES UNLESS OTHERWISE SPECIFIED:		APVD D.R.L. 2/21/91	
0 PLC ± -	1 PLC ± -	2 PLC ± 0.12[.005]	NAME MCX RIGHT ANGLE CABLE PLUG CRIMP ATTACHMENT (5837-5003-10)
3 PLC ± -	4 PLC ± -	ANGLES ± 1°	SIZE A2
MATERIAL	FINISH	WEIGHT	CAGE CODE 00779
-	-	-	DRAWING NO C=1060891-1
CUSTOMER DRAWING			RESTRICTED TO -
SCALE 1:1			SHEET 1 OF 1
REV B1			