



Chipsmall Limited consists of a professional team with an average of over 10 year of expertise in the distribution of electronic components. Based in Hongkong, we have already established firm and mutual-benefit business relationships with customers from,Europe,America and south Asia,supplying obsolete and hard-to-find components to meet their specific needs.

With the principle of “Quality Parts,Customers Priority,Honest Operation,and Considerate Service”,our business mainly focus on the distribution of electronic components. Line cards we deal with include Microchip,ALPS,ROHM,Xilinx,Pulse,ON,Everlight and Freescale. Main products comprise IC,Modules,Potentiometer,IC Socket,Relay,Connector.Our parts cover such applications as commercial,industrial, and automotives areas.

We are looking forward to setting up business relationship with you and hope to provide you with the best service and solution. Let us make a better world for our industry!



## Contact us

Tel: +86-755-8981 8866 Fax: +86-755-8427 6832

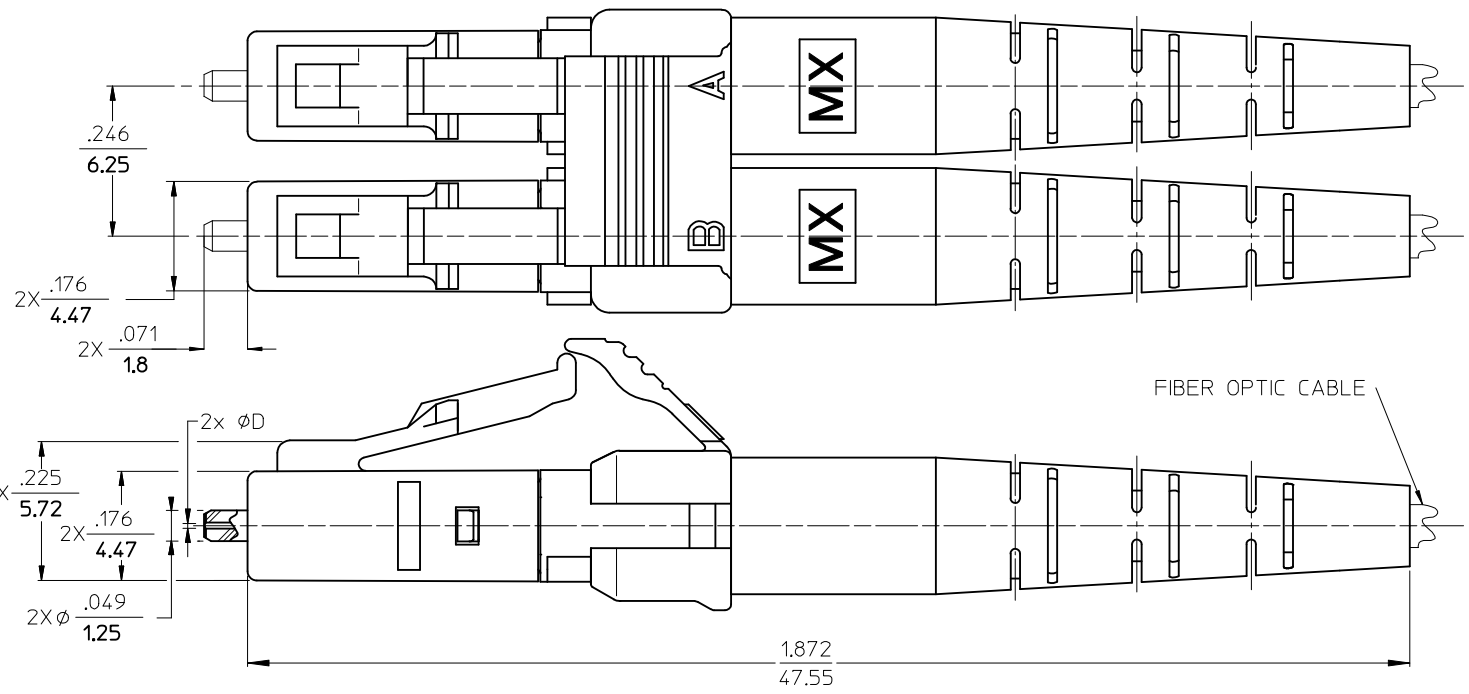
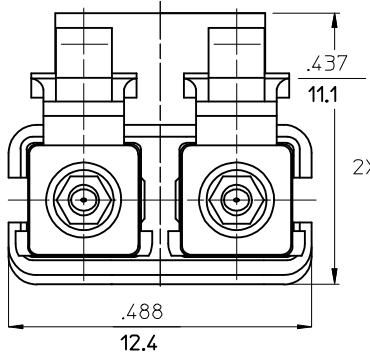
Email & Skype: info@chipsmall.com Web: www.chipsmall.com

Address: A1208, Overseas Decoration Building, #122 Zhenhua RD., Futian, Shenzhen, China



10	9	8	7	6	5	4	3	2	1
CONNECTOR P/N	∅D (4m)	CONNECTOR BODY AND BOOT COLOR	CABLE DESCRIPTION AND ∅ (mm)	CABLE TYPE					
106090-2810	125.5	GREEN	SIMPLEX 2.0	SINGLE MODE					
106090-6300	125.25		ZIPCORD 1.6						
106090-2830	125.5		SIMPLEX 1.6						
106090-6330	125.25								

(DUST CAPS NOT SHOWN)



<b>ENTER DESCRIPTION</b> EC NO: MF2006-0159 DRAWN: PGIBLIN 2005/10/14 CHKD: 2005/10/14 APPR: LGUMIN 2005/10/24 A	<b>QUALITY SYMBOLS</b>   DESCRIPTION REV	<b>GENERAL TOLERANCES (UNLESS SPECIFIED)</b>		<b>DIMENSION STYLE</b> IN/MM		SCALE <b>8:1</b>	DESIGN UNITS INCH	<b>THIRD ANGLE PROJECTION</b>		
		4 PLACES	± ---	± ---	DRAWN BY	DATE	TITLE <b>LC APC DUPLEX CONNECTOR</b>			
		3 PLACES	± ---	± ---	PGIBLIN	2005/09/29				
		2 PLACES	± ---	± ---	CHECKED BY	DATE	APPROVED BY <b>MOLEX INCORPORATED</b>			
		1 PLACE	± ---	± ---						
ANGULAR ±1/2°		DRAFT WHERE APPLICABLE MUST REMAIN WITHIN DIMENSIONS		MATERIAL NO. <b>SEE TABLE</b>		DOCUMENT NO. <b>SD-106090-MMM0</b>		SHEET NO. <b>1 OF 01</b>		
THIS DRAWING CONTAINS INFORMATION THAT IS PROPRIETARY TO MOLEX INCORPORATED AND SHOULD NOT BE USED WITHOUT WRITTEN PERMISSION										