



Chipsmall Limited consists of a professional team with an average of over 10 year of expertise in the distribution of electronic components. Based in Hongkong, we have already established firm and mutual-benefit business relationships with customers from,Europe,America and south Asia,supplying obsolete and hard-to-find components to meet their specific needs.

With the principle of "Quality Parts,Customers Priority,Honest Operation,and Considerate Service",our business mainly focus on the distribution of electronic components. Line cards we deal with include Microchip,ALPS,ROHM,Xilinx,Pulse,ON,Everlight and Freescale. Main products comprise IC,Modules,Potentiometer,IC Socket,Relay,Connector.Our parts cover such applications as commercial,industrial, and automotives areas.

We are looking forward to setting up business relationship with you and hope to provide you with the best service and solution. Let us make a better world for our industry!



Contact us

Tel: +86-755-8981 8866 Fax: +86-755-8427 6832

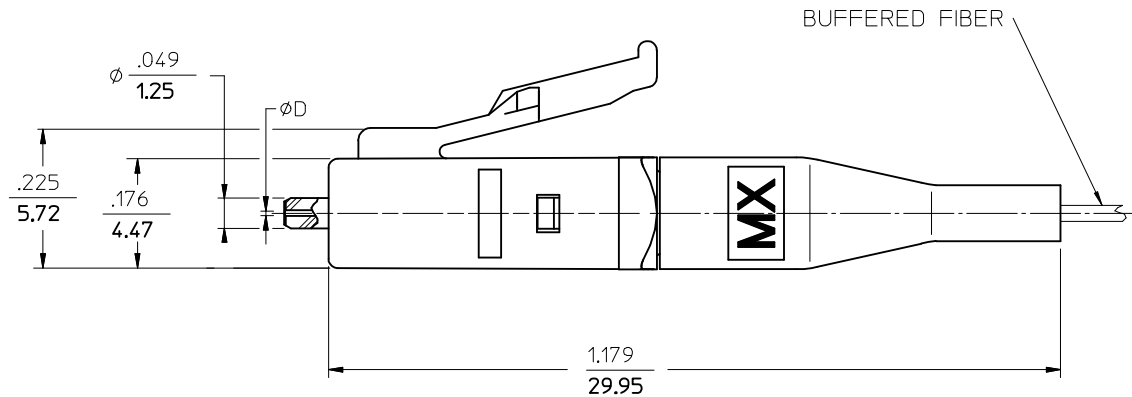
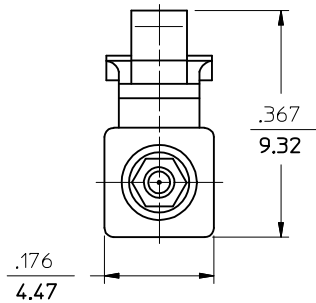
Email & Skype: info@chipsmall.com Web: www.chipsmall.com

Address: A1208, Overseas Decoration Building, #122 Zhenhua RD., Futian, Shenzhen, China



CONNECTOR P/N	ØD (µm)	HOUSING COLOR	BOOT COLOR	DUST CAP COLOR	CABLE TYPE
106090-2800	125,50	GREEN	GREEN	GREEN	SINGLE MODE
106090-6600	125,25		GREEN	GREEN	WHITE
106090-2870	125,50	GREEN	GREEN	GREEN	SINGLE MODE
106026-2500	125,50	GREEN	GREEN	GREEN	SINGLE MODE

(DUST CAP NOT SHOWN)



ENTER DESCRIPTION EC NO: MF2011-0295 DRW: DRANKPEVZNER 2011/01/17 CHKD: [blank] APPR: WCHEN 2011/01/17 A2	QUALITY SYMBOLS = 0 = 0	GENERAL TOLERANCES (UNLESS SPECIFIED) <table border="1"> <thead> <tr> <th></th> <th>mm</th> <th>INCH</th> </tr> </thead> <tbody> <tr> <td>4 PLACES</td> <td>± .004</td> <td>± .0001</td> </tr> <tr> <td>3 PLACES</td> <td>± .005</td> <td>± .0002</td> </tr> <tr> <td>2 PLACES</td> <td>± .007</td> <td>± .0003</td> </tr> <tr> <td>1 PLACE</td> <td>± .010</td> <td>± .0004</td> </tr> </tbody> </table>		mm	INCH	4 PLACES	± .004	± .0001	3 PLACES	± .005	± .0002	2 PLACES	± .007	± .0003	1 PLACE	± .010	± .0004	DIMENSION STYLE IN/MM DRAWN BY: PGIBLIN DATE: 2005/09/08 CHECKED BY: [blank] DATE: [blank]	SCALE 5:1 DESIGN UNITS INCH	THIRD ANGLE PROJECTION
		mm	INCH																	
	4 PLACES	± .004	± .0001																	
	3 PLACES	± .005	± .0002																	
2 PLACES	± .007	± .0003																		
1 PLACE	± .010	± .0004																		
DRAFT WHERE APPLICABLE MUST REMAIN WITHIN DIMENSIONS			MATERIAL NO. SEE TABLE	DOCUMENT NO. SD-1060PP-PPP0	SHEET NO. 1 OF 01															
LC APC CONNECTOR (BARE FIBER) MOLEX INCORPORATED																				
THIS DRAWING CONTAINS INFORMATION THAT IS PROPRIETARY TO MOLEX INCORPORATED AND SHOULD NOT BE USED WITHOUT WRITTEN PERMISSION																				