



Chipsmall Limited consists of a professional team with an average of over 10 year of expertise in the distribution of electronic components. Based in Hongkong, we have already established firm and mutual-benefit business relationships with customers from,Europe,America and south Asia,supplying obsolete and hard-to-find components to meet their specific needs.

With the principle of “Quality Parts,Customers Priority,Honest Operation,and Considerate Service”,our business mainly focus on the distribution of electronic components. Line cards we deal with include Microchip,ALPS,ROHM,Xilinx,Pulse,ON,Everlight and Freescale. Main products comprise IC,Modules,Potentiometer,IC Socket,Relay,Connector.Our parts cover such applications as commercial,industrial, and automotives areas.

We are looking forward to setting up business relationship with you and hope to provide you with the best service and solution. Let us make a better world for our industry!



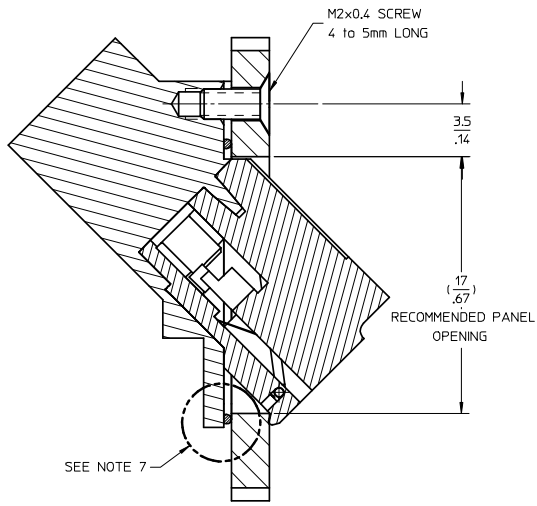
Contact us

Tel: +86-755-8981 8866 Fax: +86-755-8427 6832

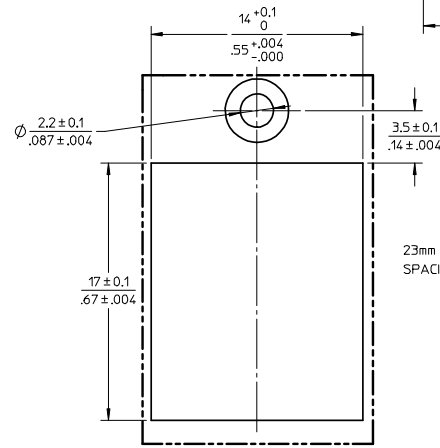
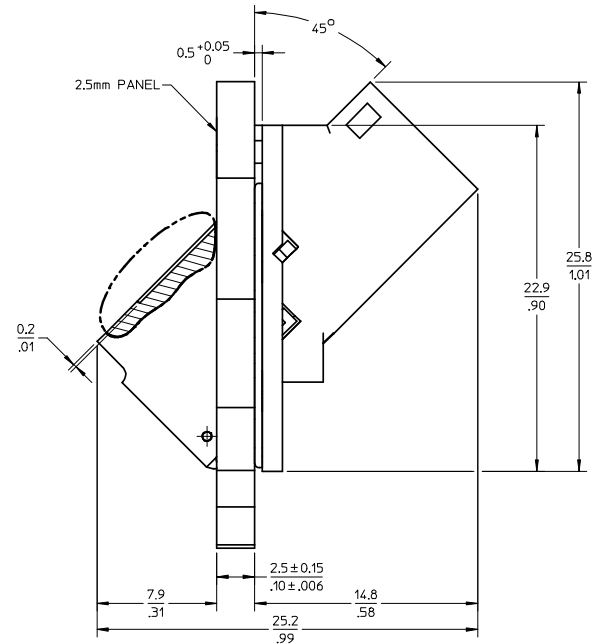
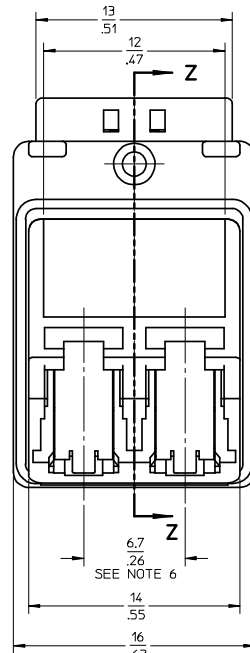
Email & Skype: info@chipsmall.com Web: www.chipsmall.com

Address: A1208, Overseas Decoration Building, #122 Zhenhua RD., Futian, Shenzhen, China



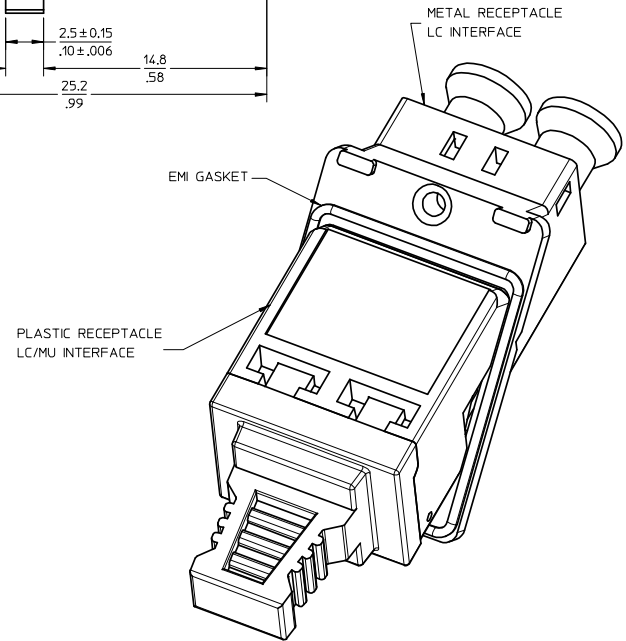


SECTION Z-Z



PANEL CUTOUT

23mm MINIMUM VERTICAL SPACING BETWEEN CUTOUPS



NOTES:

- ALL DIMENSIONS ARE FOR REFERENCE ONLY.
- PARTS SHOWN ASSEMBLED FOR CUSTOMER REFERENCE ONLY.
- MATERIAL AND PLATING:
 - METAL RECEPTACLE HALF (LC INTERFACE) - ZINC DIE CAST W/ NICKEL PLATING
 - PLASTIC RECEPTACLE (LC/MU INTERFACE) - POLYETHER IMIDE (PEI) UL94 V-0
 - GASKET - SILICONE CONDUCTIVE ELASTOMER SNN 45.
 - SPLIT SLEEVE - ZIRCONIA
 - ALL OTHER PARTS - METAL.
- LC DUPLEX WASH CAP (DUST CAP)-TPV UL94 V-0.
- PACKAGING: FOR SHIPMENT OF THIS PRODUCT USE TRAY P/N 86934-1006 (NOT SHOWN).
- 6.7mm BETWEEN CONNECTORS. ONLY SIMPLEX CONNECTORS MAY BE USED.
- TO AVOID DAMAGING THE EMI GASKET, EXTRA CARE SHOULD BE TAKEN WHEN INSERTING ADAPTER INTO PANEL.

WORK AREA PLOT

REV	DESCRIPTION
B	ENTER DESCRIPTION EC NO: MF2008-0252 DRWN:SERNST CHKD: 2008/04/24 APPR:WCHEN 2008/04/28

QUALITY SYMBOLS
▽=0
▽=0

GENERAL TOLERANCES (UNLESS SPECIFIED)	
	mm
	INCH
4 PLACES	± .005
3 PLACES	± .004
2 PLACES	± .003
1 PLACE	± .002
ANGULAR ± 1°	
DRAFT WHERE APPLICABLE MUST REMAIN WITHIN DIMENSIONS	

DIMENSION STYLE	
MM ONLY	
DRAWN BY	DATE
SERNST	2007/06/08
CHECKED BY	DATE
APPROVED BY	DATE
SM1GO	2007/06/08
MATERIAL NO.	DOCUMENT NO.
1061009000	SD-106100-9000
SIZE	SHEET NO.
C	1 OF 1

SCALE	DESIGN UNITS	THIRD ANGLE PROJECTION
4:1	METRIC	☉
TITLE		
MULTI FORMAT (LC/MU) TO LC 45 DEG EMI ADAPTER (SCREW MOUNT)		
MOLEX INCORPORATED		
THIS DRAWING CONTAINS INFORMATION THAT IS PROPRIETARY TO MOLEX INCORPORATED AND SHOULD NOT BE USED WITHOUT WRITTEN PERMISSION		