



Chipsmall Limited consists of a professional team with an average of over 10 year of expertise in the distribution of electronic components. Based in Hongkong, we have already established firm and mutual-benefit business relationships with customers from,Europe,America and south Asia,supplying obsolete and hard-to-find components to meet their specific needs.

With the principle of “Quality Parts,Customers Priority,Honest Operation,and Considerate Service”,our business mainly focus on the distribution of electronic components. Line cards we deal with include Microchip,ALPS,ROHM,Xilinx,Pulse,ON,Everlight and Freescale. Main products comprise IC,Modules,Potentiometer,IC Socket,Relay,Connector.Our parts cover such applications as commercial,industrial, and automotives areas.

We are looking forward to setting up business relationship with you and hope to provide you with the best service and solution. Let us make a better world for our industry!



Contact us

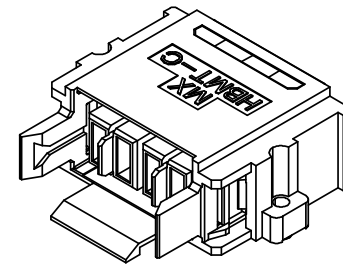
Tel: +86-755-8981 8866 Fax: +86-755-8427 6832

Email & Skype: info@chipsmall.com Web: www.chipsmall.com

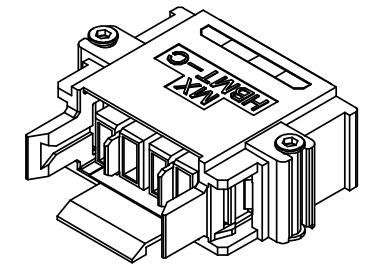
Address: A1208, Overseas Decoration Building, #122 Zhenhua RD., Futian, Shenzhen, China



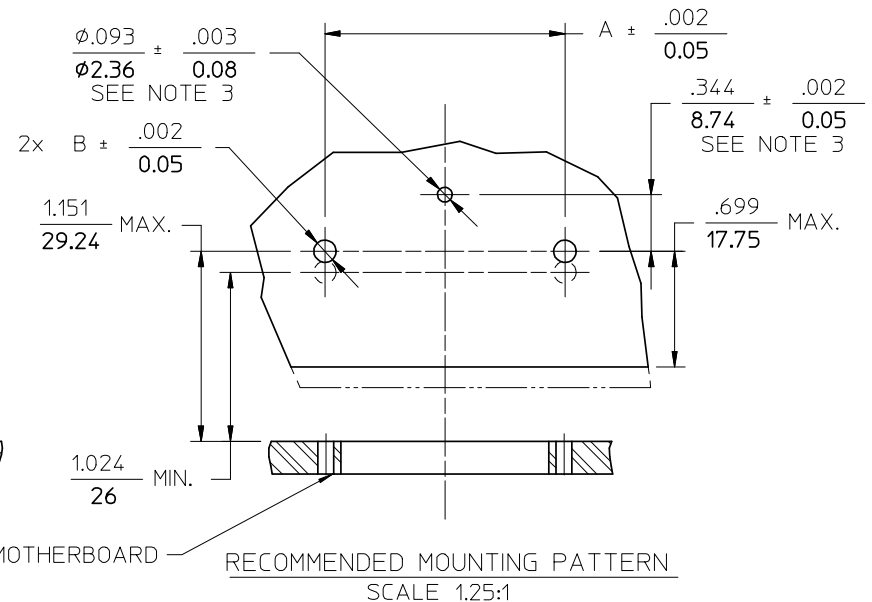
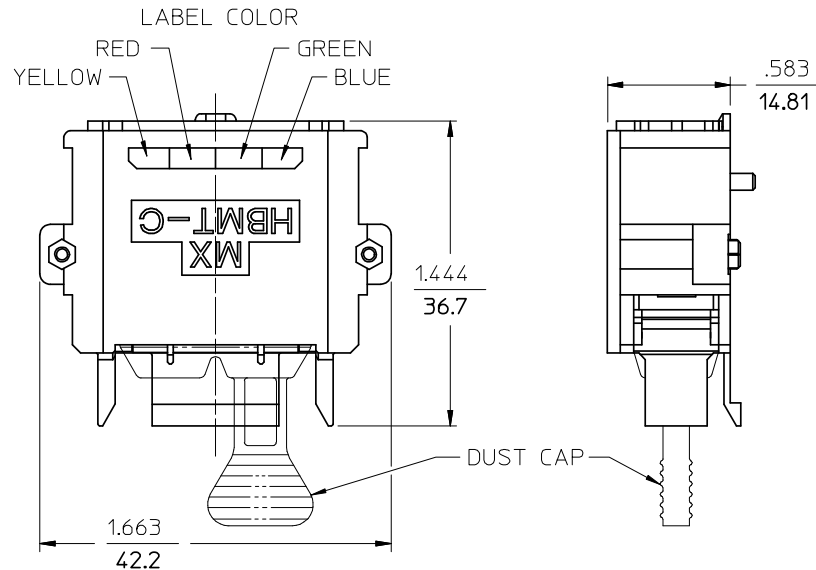
10	9	8	7	6	5	4	3	2	106105
CONNECTOR P/N	MOUNTING	FLOAT	PLATING	A	B	C	MATES WITH MOTHERBOARD ADAPTER P/N		
106105-0100	RIVET	NO	NO	1.457 (37)	.135 (3.43)	.275 (6.98)	106105-0000, 106105-1000		
106105-1100	SCREW	NO	NO	1.457 (37)	.135 (3.43)	.275 (6.98)	106105-0000, 106105-1000		
106105-2100	SCREW	YES	NO	1.497 (38)	.090 (2.29)	.295 (7.49)	106105-0000, 106105-1000, 106105-2000		
106105-2300	SCREW	YES	YES	1.497 (38)	.090 (2.29)	.295 (7.49)	106105-2200		



ISOMETRIC VIEW
RIVET MOUNTING



ISOMETRIC VIEW
SCREW MOUNTING WITH FLOAT

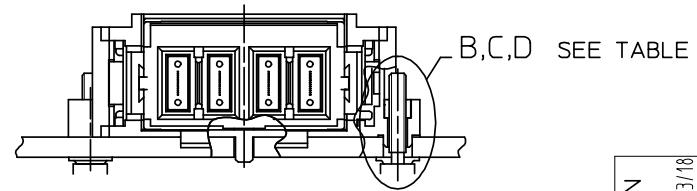
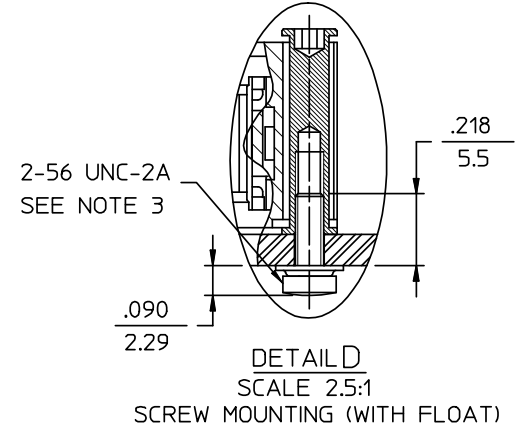
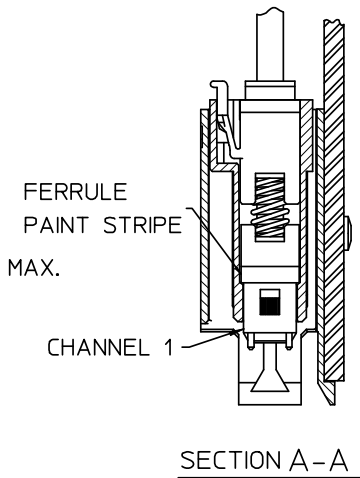
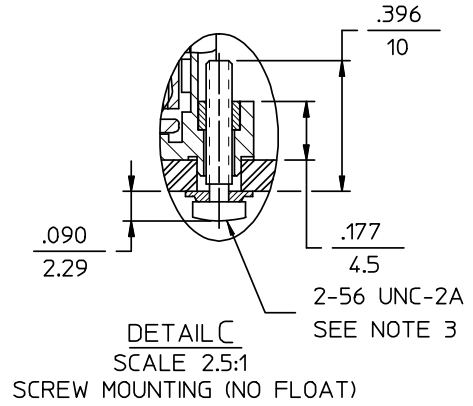
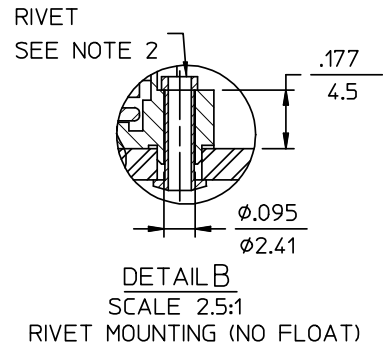
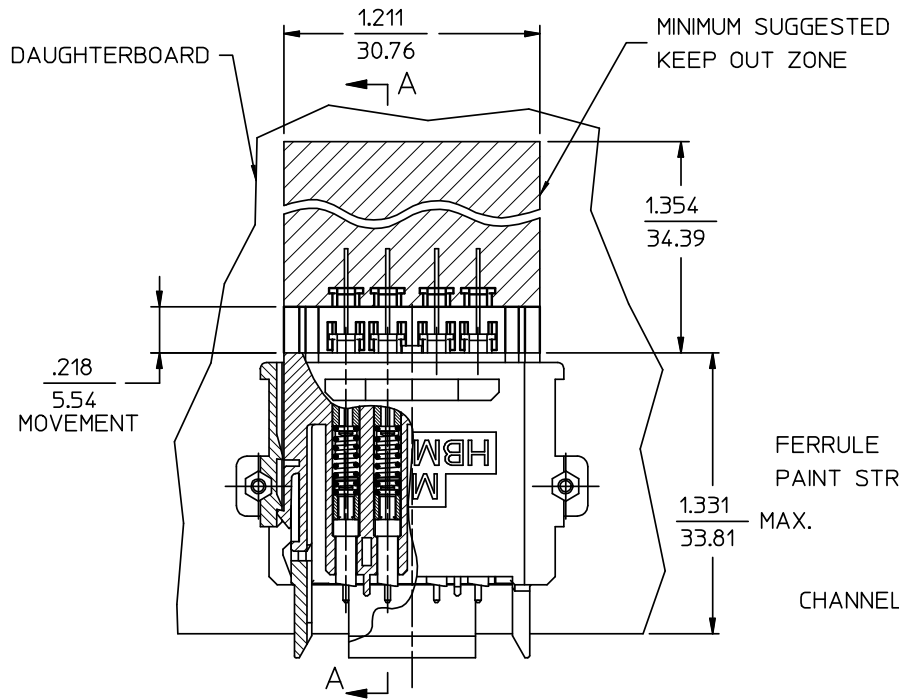


NOTES:

- RIVETS NOT INCLUDED WITH CONNECTOR.
- SCREWS ARE INCLUDED WITH CONNECTOR AND ARE INSTALLED BY USER. RECOMMENDED TORQUE: 2.5 TO 4 IN.LBS (0.28 TO 0.45 N.m) DEPENDING ON SUBSTRATE MATERIAL AND SCREW TYPE. USER IS ENCOURAGED TO DETERMINE THE PROPER TORQUE TO USE BY TRIAL (SEE MACHINERY'S HANDBOOK FOR PROCEDURE).
- CENTER LOCATOR HOLE AND PEG NOT USED ON P/Ns 106105-2100, 106105-2300.

ENTER DESCRIPTION EEC NO: MF 2008-0396 DRWN:KPEVZNER 2008/03/18 CHKD: 2008/03/18 APPR: IGUMIN 2008/03/19 REV A1	QUALITY SYMBOLS $\nabla=0$ $\nabla=0$	GENERAL TOLERANCES (UNLESS SPECIFIED)		DIMENSION STYLE IN/MM		SCALE 2.5:1	DESIGN UNITS INCH	THIRD ANGLE PROJECTION	
		mm	INCH	DRAWN BY	DATE	TITLE HBMT DAUGHTER CARD CONNECTOR			
	4 PLACES	±---	±---	PGIBLIN	2005/10/31				
	3 PLACES	±---	±---	CHECKED BY	DATE	MOLEX INCORPORATED			
2 PLACES	±---	±---	APPROVED BY	DATE					
1 PLACE	±---	±---	ANGULAR ±1/2°		MATERIAL NO.	DOCUMENT NO.	SHEET NO.		
DRAFT WHERE APPLICABLE MUST REMAIN WITHIN DIMENSIONS		SEE TABLE		SD-106105-0100		1 OF 02			
THIS DRAWING CONTAINS INFORMATION THAT IS PROPRIETARY TO MOLEX INCORPORATED AND SHOULD NOT BE USED WITHOUT WRITTEN PERMISSION									

10 9 8 7 6 5 4 3 2 1



ENTER DESCRIPTION EC NO: MF2008-0396 DRWN:KPEVZNER CHKD: 2008/03/18 APPR: IGUMIN 2008/03/19	REV A1	DESCRIPTION QUALITY SYMBOLS ▽=0 ◻=0	GENERAL TOLERANCES (UNLESS SPECIFIED)		DIMENSION STYLE IN/MM		SCALE 2.5:1	DESIGN UNITS INCH	THIRD ANGLE PROJECTION		
			4 PLACES	±---	±---	DRAWN BY PGIBLIN	DATE 2005/10/31	TITLE HBM DAUGHTER CARD CONNECTOR			
			3 PLACES	±---	±---	CHECKED BY	DATE				
			2 PLACES	±---	±---	APPROVED BY		DATE		MOLEX MOLEX INCORPORATED	
			1 PLACE	±---	±---						
ANGULAR ±1/2°			DRAFT WHERE APPLICABLE MUST REMAIN WITHIN DIMENSIONS		MATERIAL NO. SEE TABLE		DOCUMENT NO. SD-106105-0100	SHEET NO. 2 OF 02			

9 8 7 6 5 4 3 2 1