



Chipsmall Limited consists of a professional team with an average of over 10 year of expertise in the distribution of electronic components. Based in Hongkong, we have already established firm and mutual-benefit business relationships with customers from,Europe,America and south Asia,supplying obsolete and hard-to-find components to meet their specific needs.

With the principle of “Quality Parts,Customers Priority,Honest Operation,and Considerate Service”,our business mainly focus on the distribution of electronic components. Line cards we deal with include Microchip,ALPS,ROHM,Xilinx,Pulse,ON,Everlight and Freescale. Main products comprise IC,Modules,Potentiometer,IC Socket,Relay,Connector.Our parts cover such applications as commercial,industrial, and automotives areas.

We are looking forward to setting up business relationship with you and hope to provide you with the best service and solution. Let us make a better world for our industry!



Contact us

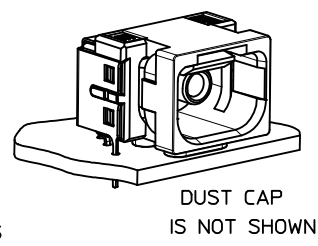
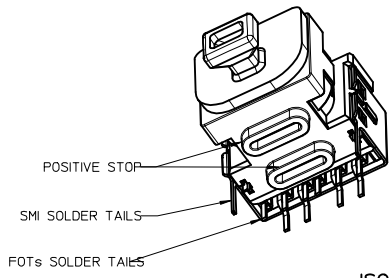
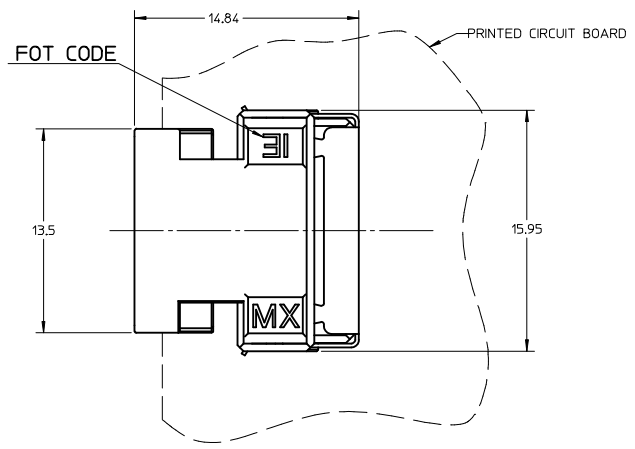
Tel: +86-755-8981 8866 Fax: +86-755-8427 6832

Email & Skype: info@chipsmall.com Web: www.chipsmall.com

Address: A1208, Overseas Decoration Building, #122 Zhenhua RD., Futian, Shenzhen, China

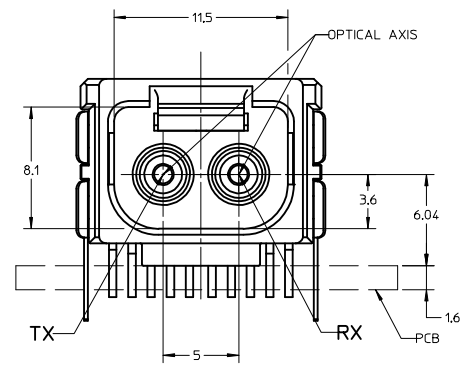
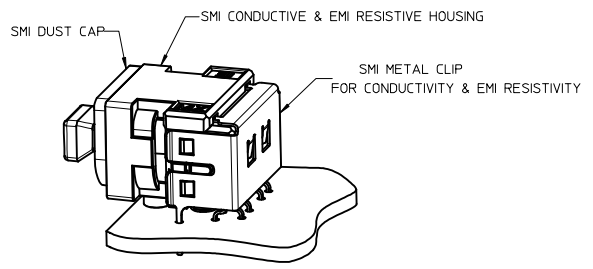


SMI/SMT TRANSCEIVER ASSEMBLY P/N	FOT's TYPE	FOT CODE
1061083100	10/100 ETHERNET	EL
1061084100	INDUSTRIAL DATA LINK	ID
1061083101	10/100 ETHERNET	EL
1061084110	INDUSTRIAL DATA LINK	ID

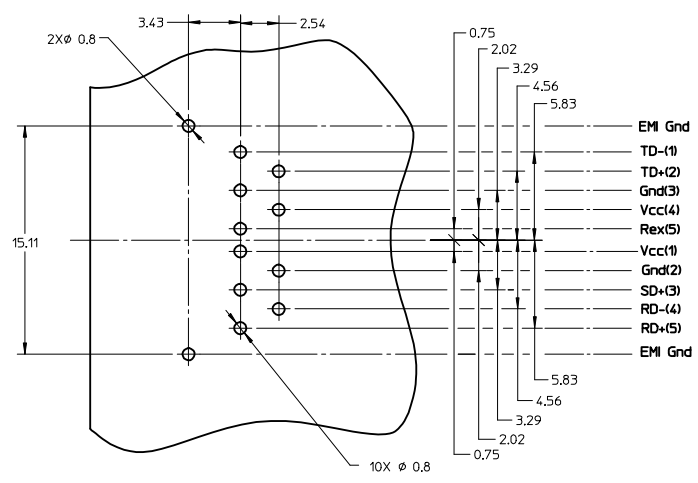
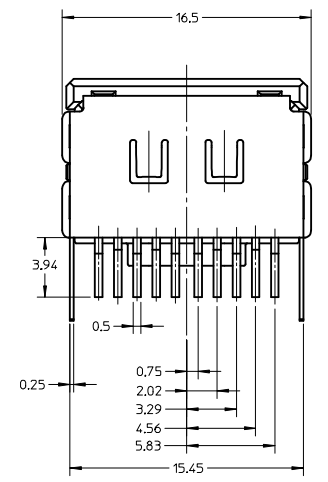
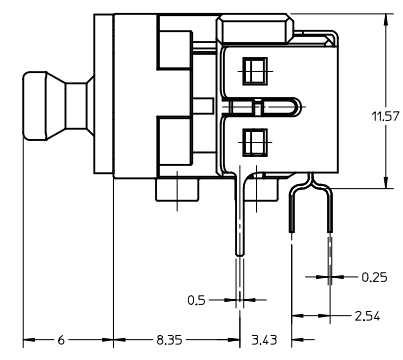


ISOMETRIC VIEWS
SCALE 2.5:1

DUST CAP NOT SHOWN



SMI TRANSCEIVER ASSEMBLY
MOUNTED ON THE PCB
DUST CAP NOT SHOWN

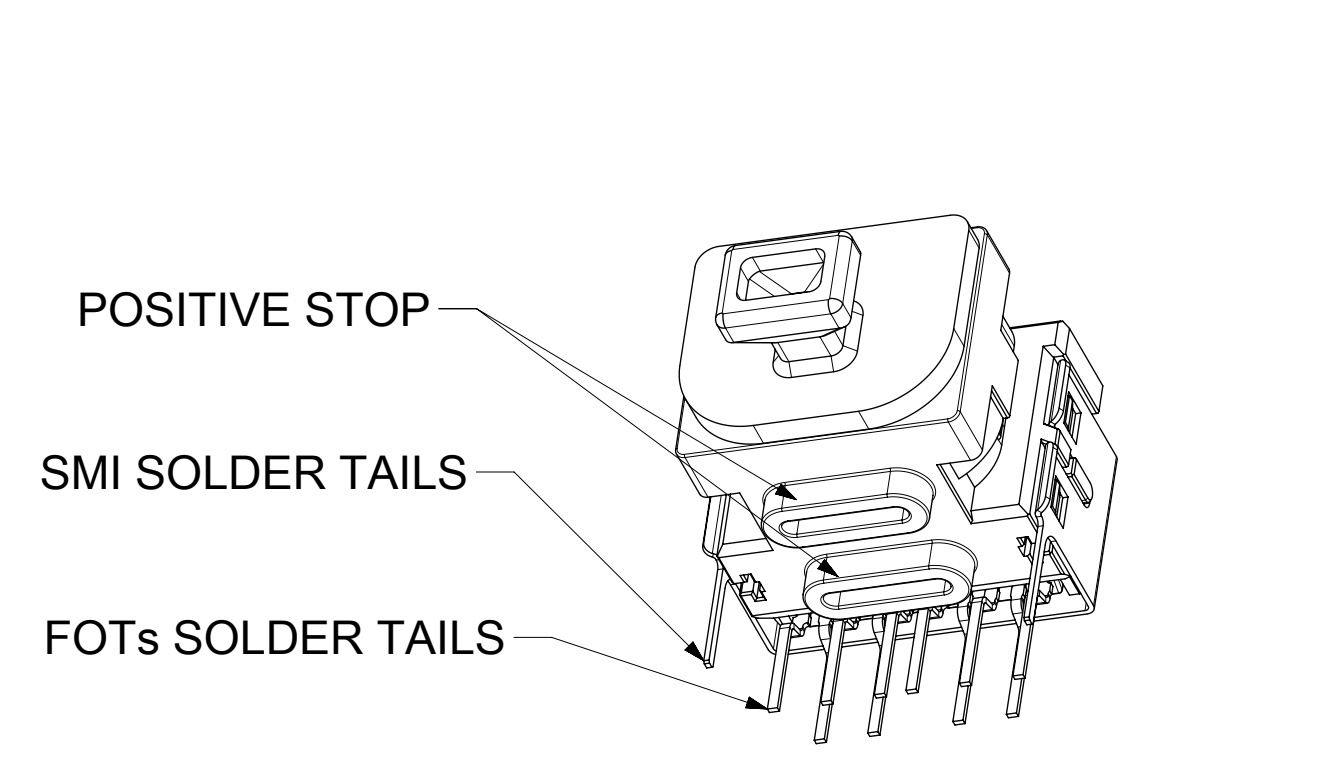


RECOMMENDED PCB LAYOUT
DIMENSIONS TOLERANCE: ±0.1mm

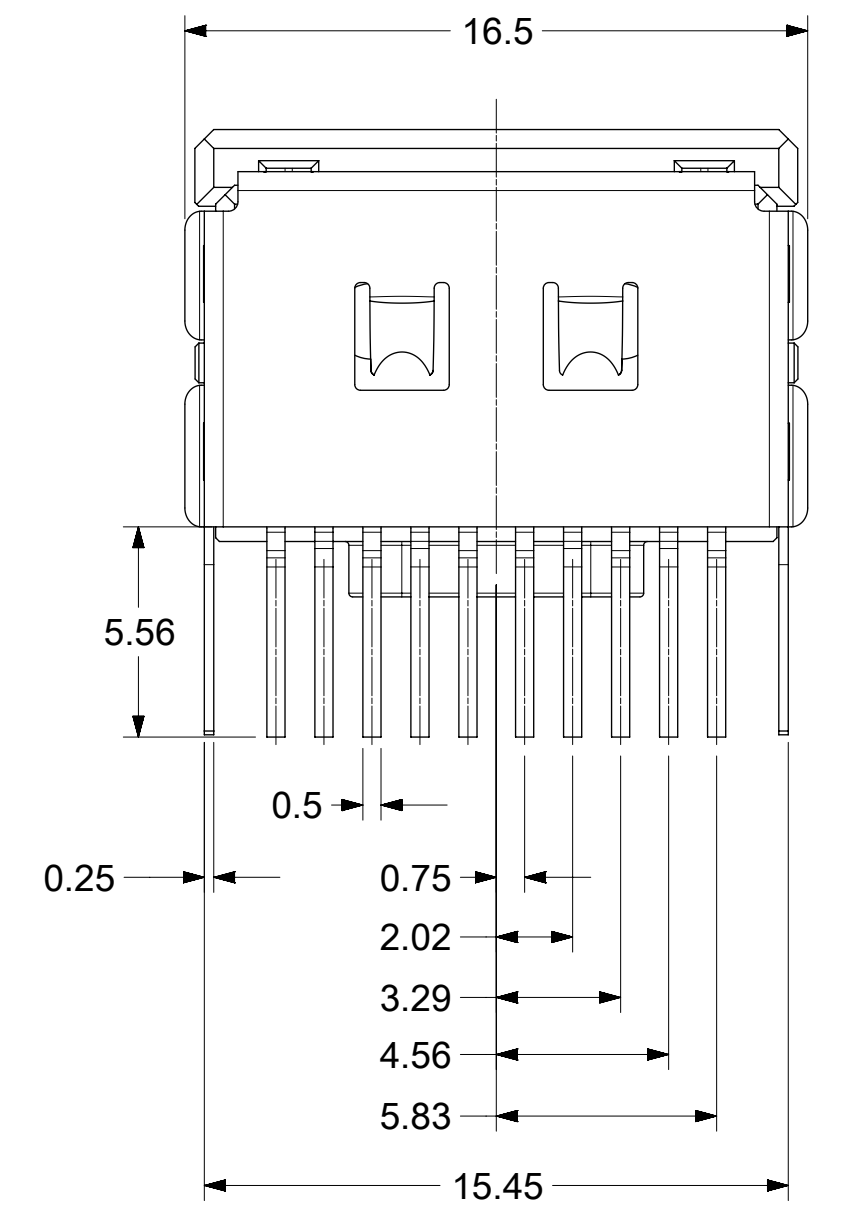
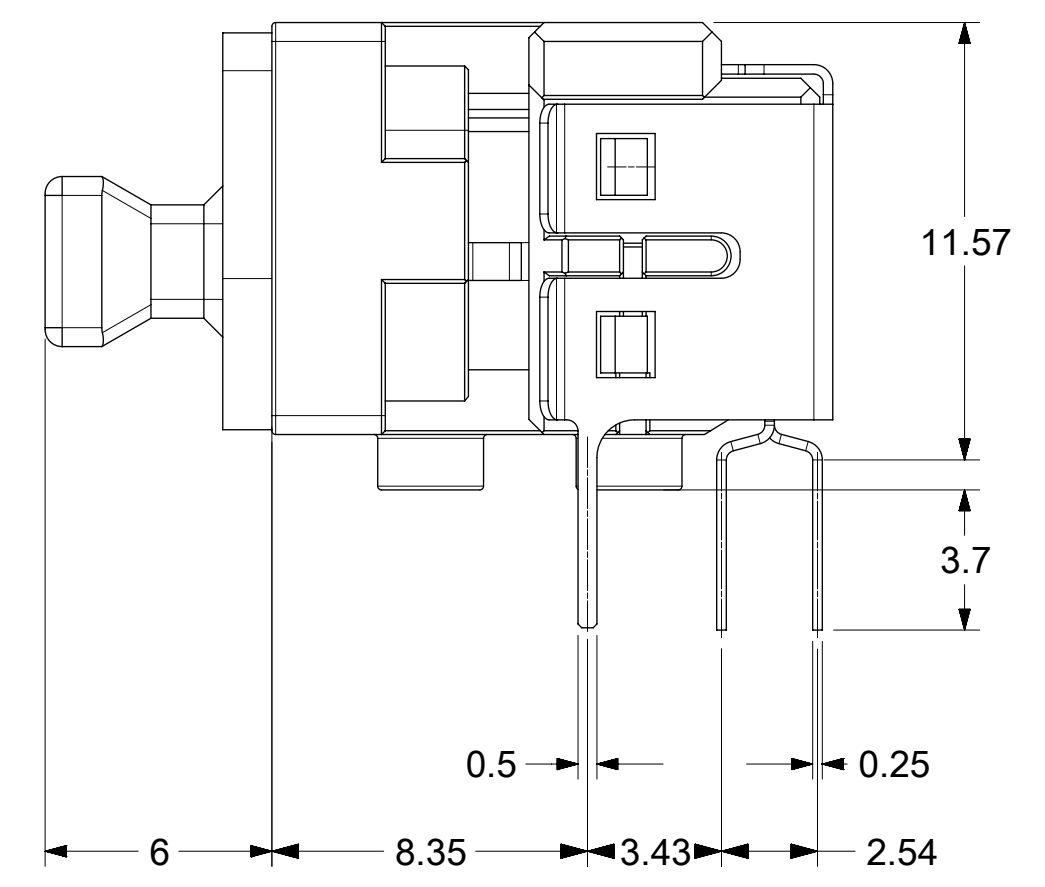
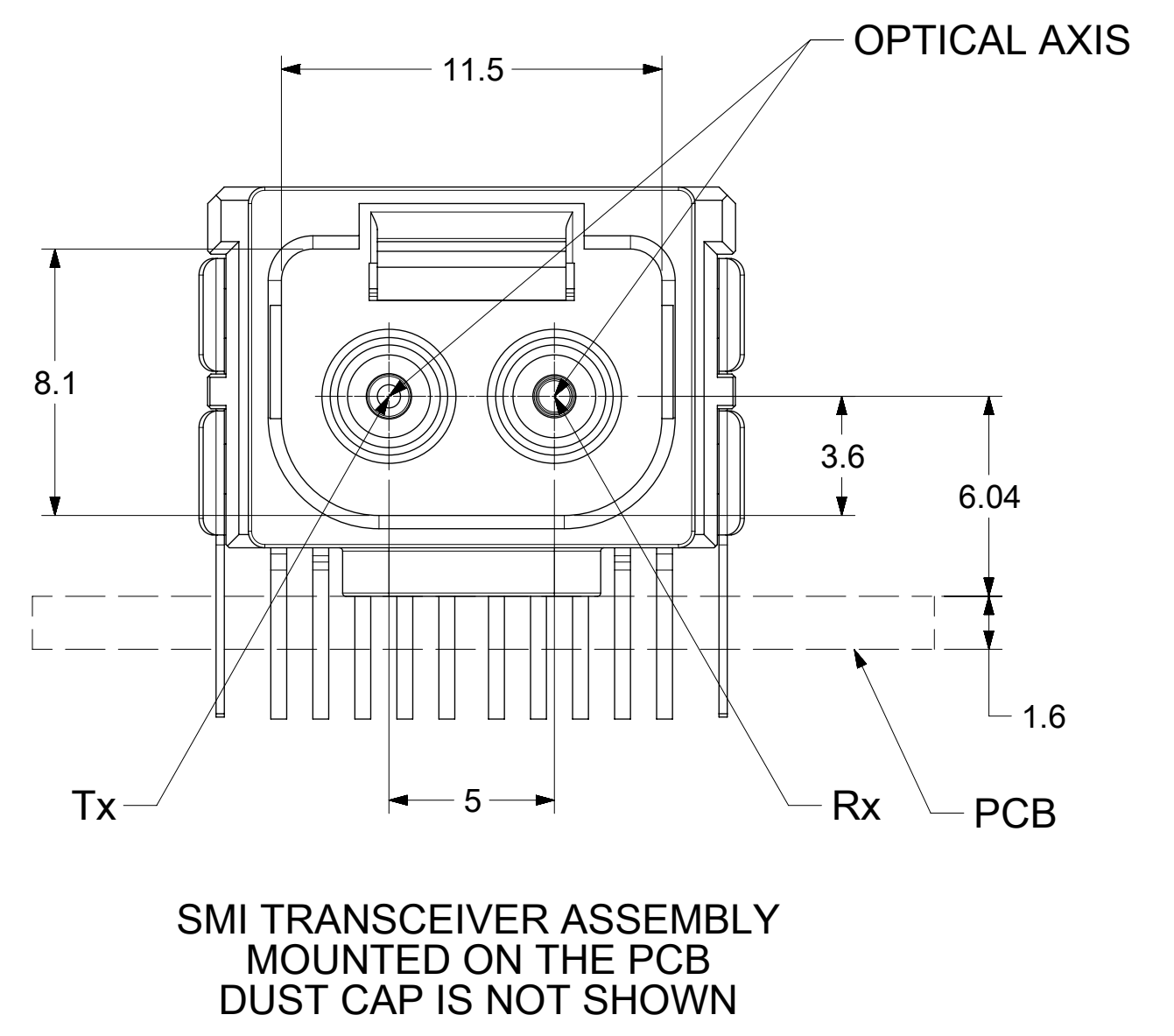
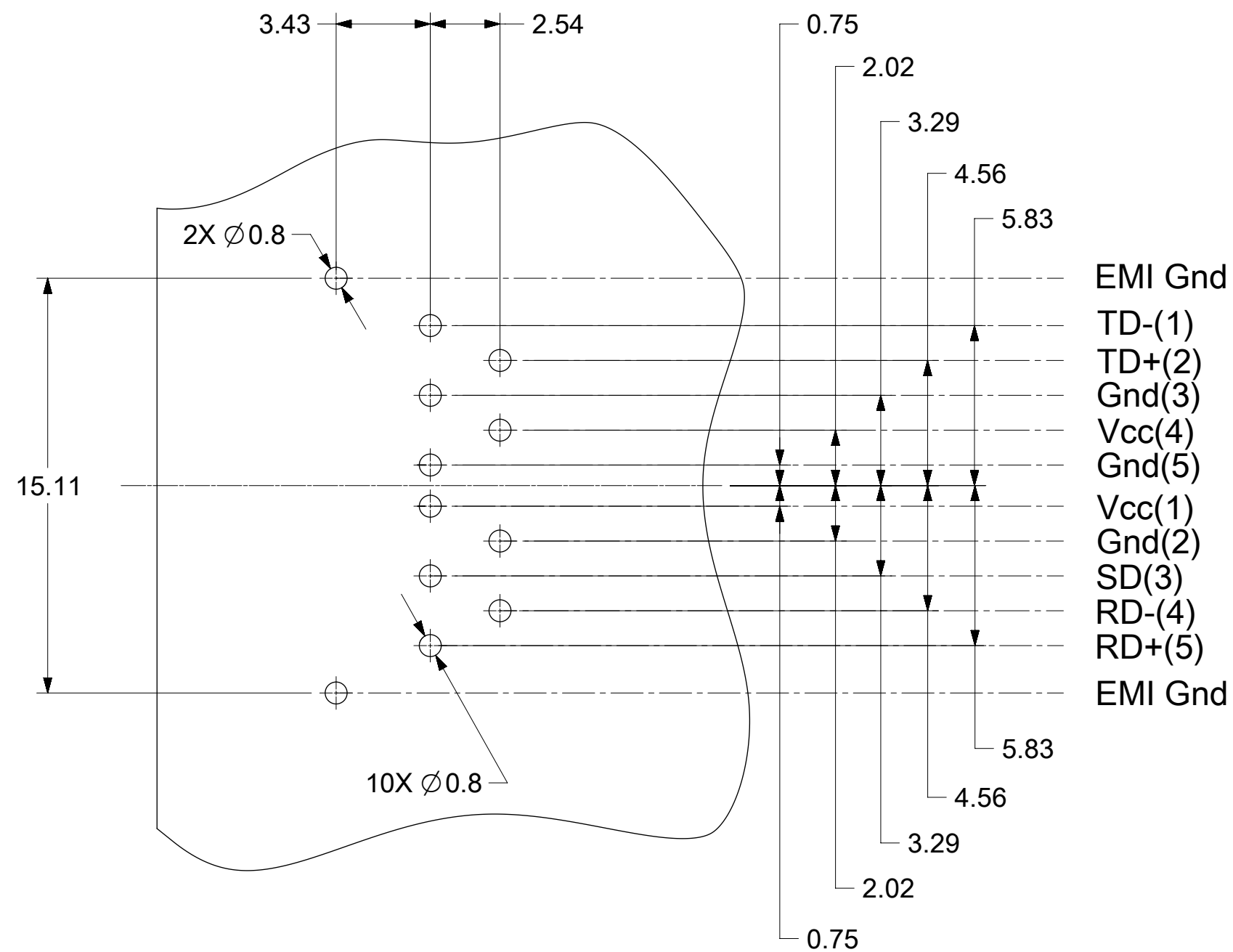
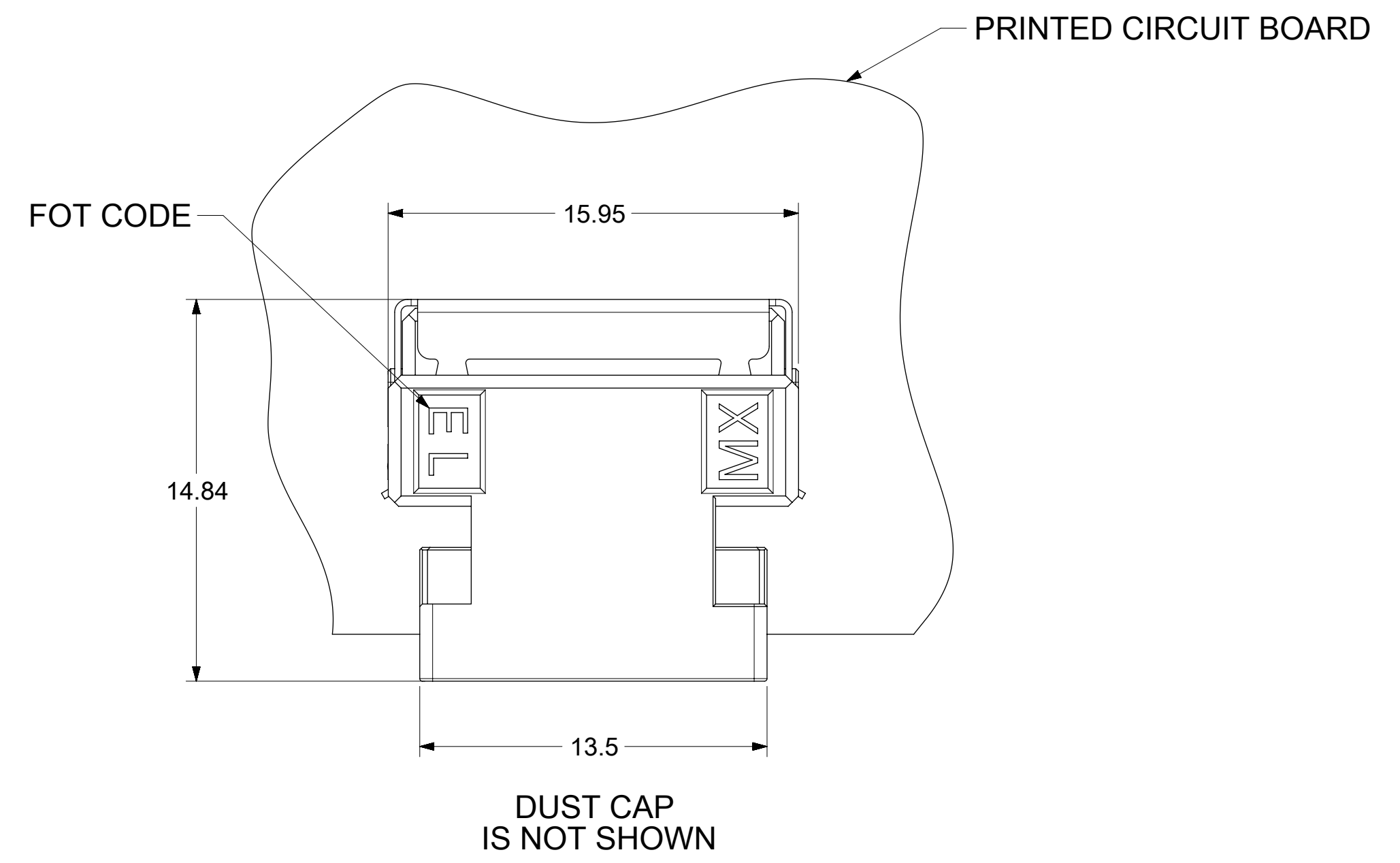
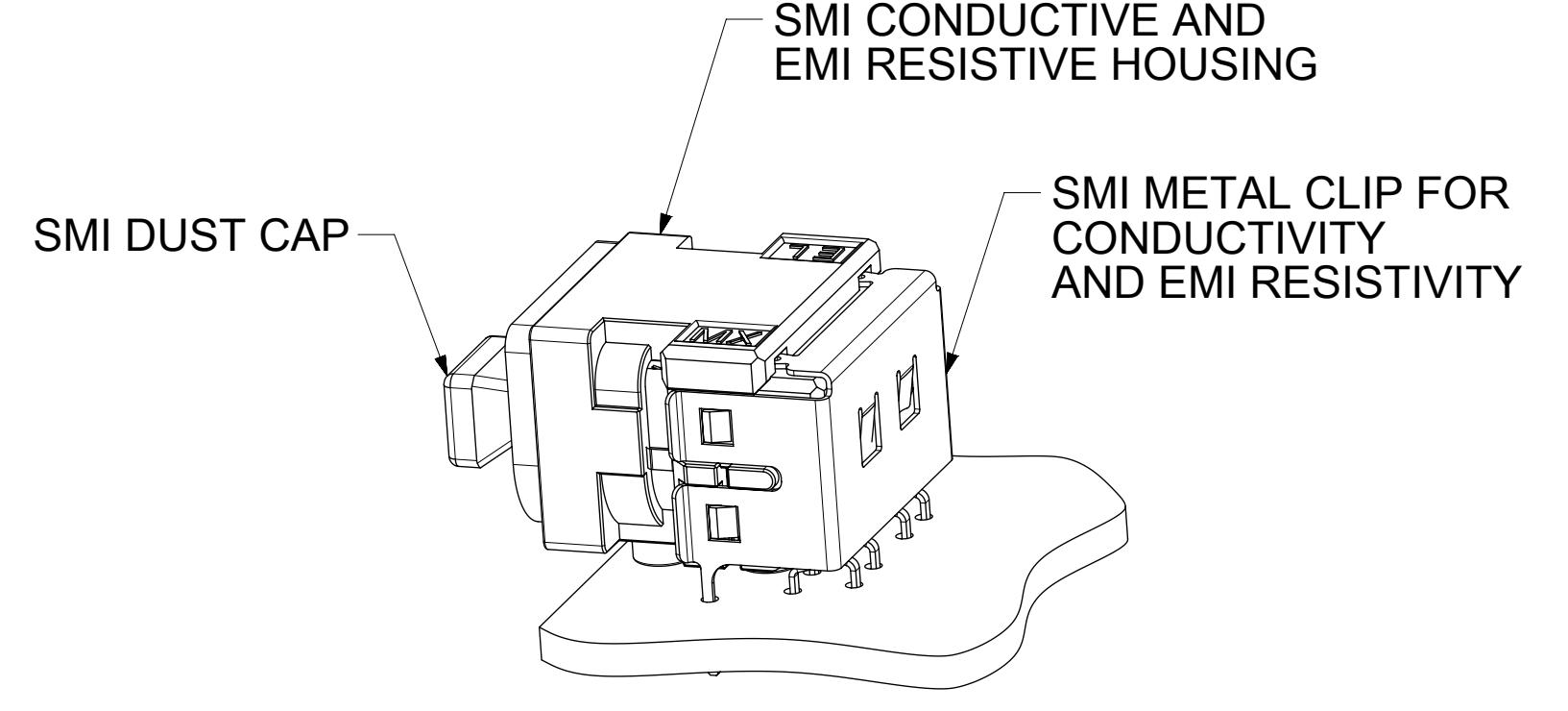
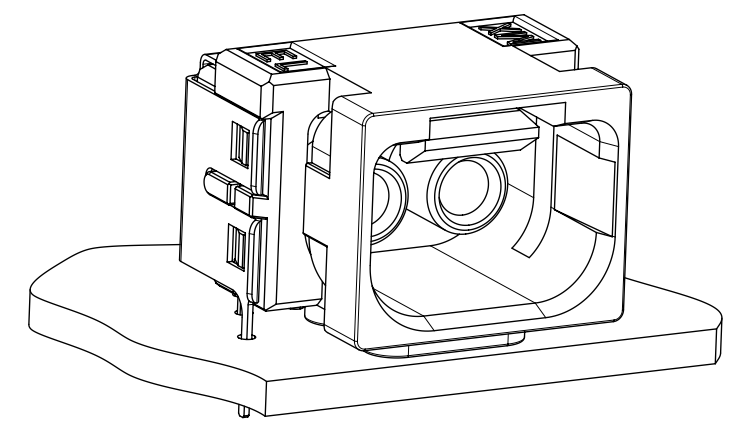
- NOTES:
1. ALL DIMENSIONS ARE FOR REFERENCE ONLY EXCEPT FOR RECOMMENDED PCB LAYOUT.
 2. ATTACHMENT OF THIS COMPONENT TO THE PCB VIA HOT BAR/LASER OR IR SOLDERING. RE-FLOW OVEN SOLDERING IS NOT APPROVED AT THIS TIME.

ENTER DESCRIPTION IEC NO: MF2014-0532 DRWNS:SB0JANIC 2014/02/20 CHKD: APPR: IGJMIN 2014/02/21	QUALITY SYMBOLS 	GENERAL TOLERANCES (UNLESS SPECIFIED)		DIMENSION STYLE MM ONLY		SCALE 4:1	DESIGN UNITS METRIC	THIRD ANGLE PROJECTION	
		4 PLACES ± --- ± --- 3 PLACES ± --- ± --- 2 PLACES ± --- ± --- 1 PLACE ± --- ± --- 0 PLACE ± ±	mm INCH ± --- ± --- ± --- ± --- ± --- ± --- ± --- ± ---	DRAWN BY BG	DATE 09/12/06	MATERIAL NO. SEE TABLE		DOCUMENT NO. SD-106108-X100	SHEET NO. 1 OF 1
REVISION C1		DESCRIPTION DRAFT WHERE APPLICABLE MUST REMAIN WITHIN DIMENSIONS		APPROVED BY DATE		THIS DRAWING CONTAINS INFORMATION THAT IS PROPRIETARY TO MOLEX INCORPORATED AND SHOULD NOT BE USED WITHOUT WRITTEN PERMISSION		molex	

SMI TRANSCEIVER ASSEMBLY P/N	FOT's TYPE	FOT CODE
1061083100	ETHERNET 10/100	EL
1061084100	INDUSTRIAL DATA LINK	ID



ISOMETRIC VIEWS
SCALE 3:1



- NOTES:
1. ALL DIMENSIONS ARE FOR REFERENCE ONLY EXCEPT FOR RECOMMENDED PCB LAYOUT.
 2. SMI TH TRANSCEIVERS MAY BE SOLDERED TO MAX 260°, MAX 10s, ONE TIME ONLY, AT LEAST 2.20mm AWAY FROM LEAD ROOT. RE-FLOW OVEN SOLDERING IS NOT APPROVED AT THIS TIME. FOR MORE DETAILS SEE DATASHEET.

QUALITY SYMBOLS	THIS DRAWING CONTAINS INFORMATION THAT IS PROPRIETARY TO MOLEX ELECTRONIC TECHNOLOGIES, LLC AND SHOULD NOT BE USED WITHOUT WRITTEN PERMISSION		DIMENSION UNITS		SCALE	molex®				
▽ = 0	2016/07/12	2016/08/23	GENERAL TOLERANCES (UNLESS SPECIFIED)	MM	5:1	SMI TRANSCEIVER ASSEMBLY TH SOLDERING				
▽ = 0	DRWN BY: SBOJANIC	CHK'D: IGUMIN	ANGULAR TOL ± °	DRWN BY: SBOJANIC	DATE: 2016/07/12					
▽ = 0	EC NO: 107440 DRWN: SBOJANIC CHK'D: IGUMIN REV APPR: IGUMIN	2016/08/23	4 PLACES ±	3 PLACES ±	2 PLACES ±	1 PLACE ±	0 PLACES ±	PRODUCT CUSTOMER DRAWING		
▽ = 0			DRAFT WHERE APPLICABLE MUST REMAIN WITHIN DIMENSIONS	DRAWING SIZE: D	THIRD ANGLE PROJECTION	SERIES: 106108	MATERIAL NUMBER: SEE TABLE			
▽ = 0			APPR BY: IGUMIN	DATE: 2016/08/23	DOCUMENT NUMBER: 1061083100			DOC TYPE: PSD	DOC PART: 000	SHEET NUMBER: 1 OF 1
▽ = 0										