



Chipsmall Limited consists of a professional team with an average of over 10 year of expertise in the distribution of electronic components. Based in Hongkong, we have already established firm and mutual-benefit business relationships with customers from,Europe,America and south Asia,supplying obsolete and hard-to-find components to meet their specific needs.

With the principle of "Quality Parts,Customers Priority,Honest Operation,and Considerate Service",our business mainly focus on the distribution of electronic components. Line cards we deal with include Microchip,ALPS,ROHM,Xilinx,Pulse,ON,Everlight and Freescale. Main products comprise IC,Modules,Potentiometer,IC Socket,Relay,Connector.Our parts cover such applications as commercial,industrial, and automotives areas.

We are looking forward to setting up business relationship with you and hope to provide you with the best service and solution. Let us make a better world for our industry!



## Contact us

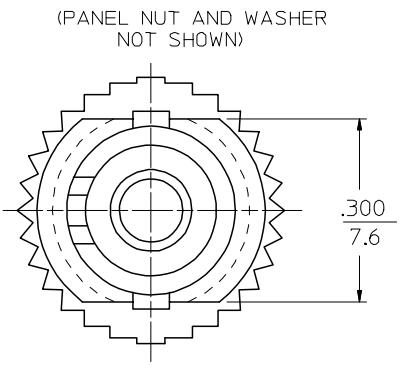
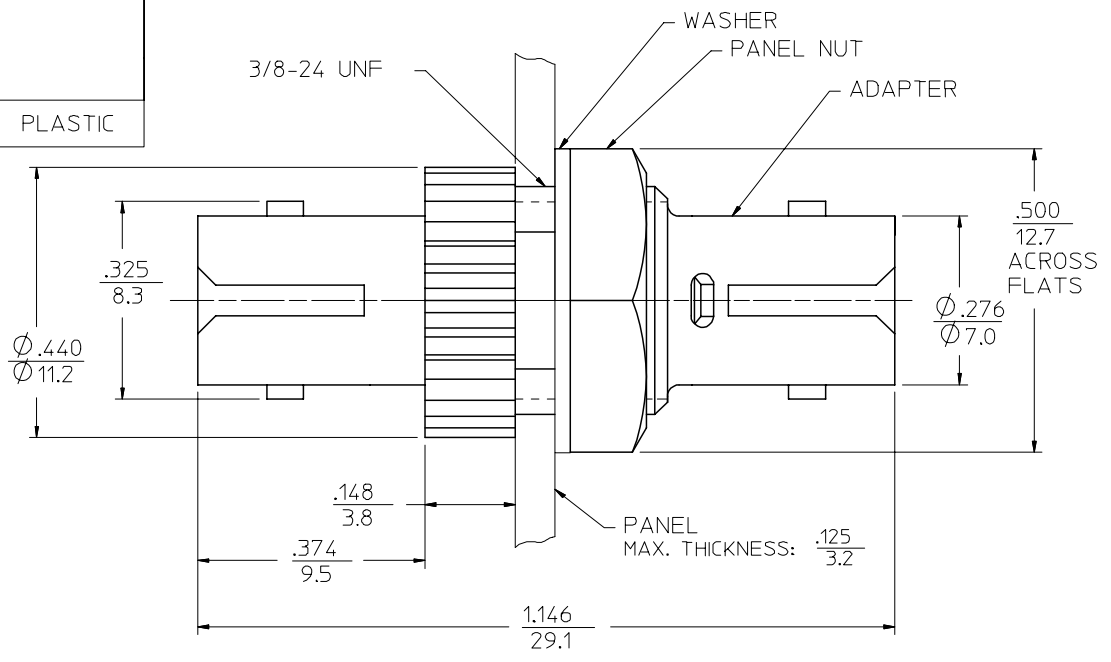
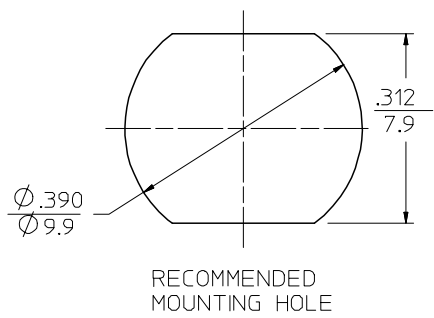
Tel: +86-755-8981 8866 Fax: +86-755-8427 6832

Email & Skype: info@chipsmall.com Web: www.chipsmall.com

Address: A1208, Overseas Decoration Building, #122 Zhenhua RD., Futian, Shenzhen, China



ADAPTER P/N	ALIGNMENT SLEEVE MATERIAL	DUST CAP COLOR	PANEL NUT MATERIAL
106110-1000	CERAMIC	BLACK	METAL
106110-1020*			
106112-1000	PHOSPHOR BRONZE	RED	
106112-1100*			
106113-1000	PLASTIC	BLACK	
106113-1020*			
106113-1100	PHOSPHOR BRONZE	RED	PLASTIC
106112-1010			



NOTES:  
 1. DUST CAPS ARE NOT SHOWN BUT INCLUDED.  
 \*2. P/N 106113-1020, P/N 106110-1020 AND P/N 106112-1100 ARE BULK PACKED IN QUANTITY OF 100 PIECES.

ENTER DESCRIPTION	REV	DESCRIPTION
EC NO: MF2008-0168 DRWN:YBEDNYAK CHKD: APPR:IGUMIN	2007/10/19 2007/10/22 2007/10/22	

QUALITY SYMBOLS
▽=0
▽=0

GENERAL TOLERANCES (UNLESS SPECIFIED)	
mm	INCH
4 PLACES ± ---	± ---
3 PLACES ± ---	± ---
2 PLACES ± ---	± ---
1 PLACE ± ---	± ---
ANGULAR ±1/2°	
DRAFT WHERE APPLICABLE MUST REMAIN WITHIN DIMENSIONS	

DIMENSION STYLE	
IN/MM	
DRAWN BY	DATE
RPACIFICI	2005/12/22
CHECKED BY	DATE
APPROVED BY	DATE
MATERIAL NO.	DOCUMENT NO.
SEE TABLE	SD-10611X-1X00
SIZE B	THIS DRAWING CONTAINS INFORMATION THAT IS PROPRIETARY TO MOLEX INCORPORATED AND SHOULD NOT BE USED WITHOUT WRITTEN PERMISSION

SCALE	DESIGN UNITS	THIRD ANGLE PROJECTION
5:1	INCH	
TITLE		
ST TYPE ADAPTER (METAL BODY)		
MOLEX INCORPORATED		
DOCUMENT NO.		SHEET NO.
SD-10611X-1X00		1 OF 01