



Chipsmall Limited consists of a professional team with an average of over 10 year of expertise in the distribution of electronic components. Based in Hongkong, we have already established firm and mutual-benefit business relationships with customers from,Europe,America and south Asia,supplying obsolete and hard-to-find components to meet their specific needs.

With the principle of “Quality Parts,Customers Priority,Honest Operation,and Considerate Service”,our business mainly focus on the distribution of electronic components. Line cards we deal with include Microchip,ALPS,ROHM,Xilinx,Pulse,ON,Everlight and Freescale. Main products comprise IC,Modules,Potentiometer,IC Socket,Relay,Connector.Our parts cover such applications as commercial,industrial, and automotives areas.

We are looking forward to setting up business relationship with you and hope to provide you with the best service and solution. Let us make a better world for our industry!



Contact us

Tel: +86-755-8981 8866 Fax: +86-755-8427 6832

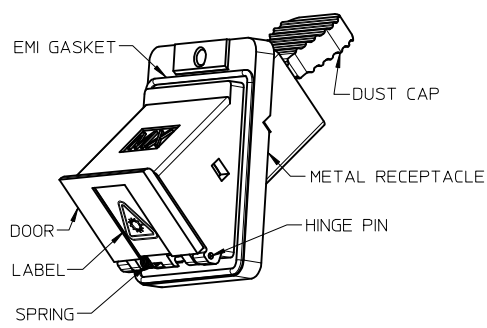
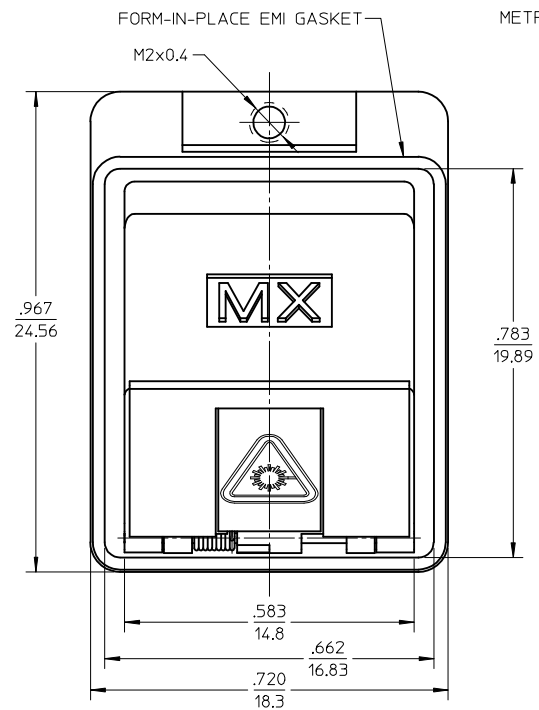
Email & Skype: info@chipsmall.com Web: www.chipsmall.com

Address: A1208, Overseas Decoration Building, #122 Zhenhua RD., Futian, Shenzhen, China



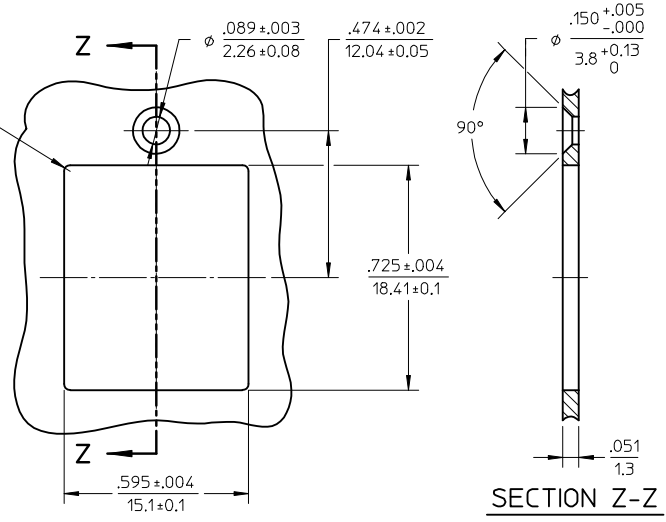
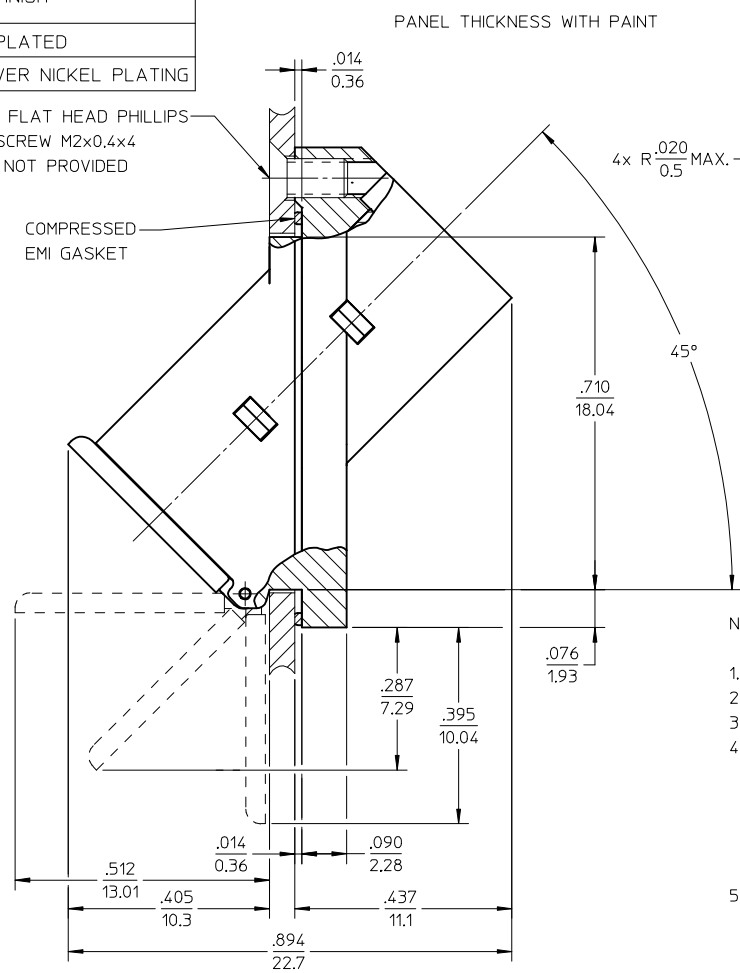
10 9 8 7 6 5 4 3 2 1

PART NUMBER	ADAPTER FINISH	DOOR FINISH
1061140100	NICKEL PLATED	NICKEL PLATED
1061140011	NICKEL PLATED	BLUE COATING OVER NICKEL PLATING



ISO VIEW
SCALE 2:1

TWO PLASTIC INSERTS NOT SHOWN



SECTION Z-Z

RECOMMENDED MOUNTING PATTERN
SCALE 2.5:1

NOTES:

1. ALL DIMENSIONS ARE IN INCH/MM.
2. ALL DIMENSIONS ARE FOR REFERENCE.
3. DUST CAP SHOWN IN ISOMETRIC VIEW ONLY.
4. MATERIAL AND PLATING:
 - A. METAL RECEPTACLE AND DOOR MATERIAL - ZINC DIE CAST. (SEE TABLE FOR PLATING)
 - B. TWO PLASTIC INSERTS (NOT SHOWN) - POLYETHER IMIDE (PEI), UL94 V-0.
 - C. EMI GASKET - SILICONE CONDUCTIVE ELASTOMER SNN 45.
 - D. LABEL - POLYESTER (UL 969).
5. PACKAGING: FOR SHIPMENT OF THIS PRODUCT USE TRAY P/N 86934-1006 (NOT SHOWN). PACKING TRAY AND SHIPPING CONTAINER ARE LABELED WITH MX P/N AND REVISION.

ENTER DESCRIPTION EC NO: MF2015-0702 DRWN: IGUMIN 2015/05/13 CHKD: IGUMIN APPR: IGUMIN 2015/06/05 DESCRIPTION REV	QUALITY SYMBOLS	GENERAL TOLERANCES (UNLESS SPECIFIED)	DIMENSION STYLE	SCALE	DESIGN UNITS	THIRD ANGLE PROJECTION
	$\nabla=0$ $\nabla=0$	mm INCH 4 PLACES ± --- ± --- 3 PLACES ± --- ± --- 2 PLACES ± --- ± --- 1 PLACE ± --- ± --- ANGULAR ± ---°	IN/MM	4:1	INCH	
		DRAFT WHERE APPLICABLE MUST REMAIN WITHIN DIMENSIONS	DRAWN BY DATE	TITLE	MPO EMI REAR MOUNT 45 DEGREE ADAPTER	
			CHECKED BY DATE			
			APPROVED BY DATE		MOLEX INCORPORATED	
			MATERIAL NO.	DOCUMENT NO.	SHEET NO.	
			SEE TABLE	SD-106114-0100	1 OF 1	
			THIS DRAWING CONTAINS INFORMATION THAT IS PROPRIETARY TO MOLEX INCORPORATED AND SHOULD NOT BE USED WITHOUT WRITTEN PERMISSION			

9 8 7 6 5 4 3 2 1