



Chipsmall Limited consists of a professional team with an average of over 10 year of expertise in the distribution of electronic components. Based in Hongkong, we have already established firm and mutual-benefit business relationships with customers from,Europe,America and south Asia,supplying obsolete and hard-to-find components to meet their specific needs.

With the principle of “Quality Parts,Customers Priority,Honest Operation,and Considerate Service”,our business mainly focus on the distribution of electronic components. Line cards we deal with include Microchip,ALPS,ROHM,Xilinx,Pulse,ON,Everlight and Freescale. Main products comprise IC,Modules,Potentiometer,IC Socket,Relay,Connector.Our parts cover such applications as commercial,industrial, and automotives areas.

We are looking forward to setting up business relationship with you and hope to provide you with the best service and solution. Let us make a better world for our industry!



Contact us

Tel: +86-755-8981 8866 Fax: +86-755-8427 6832

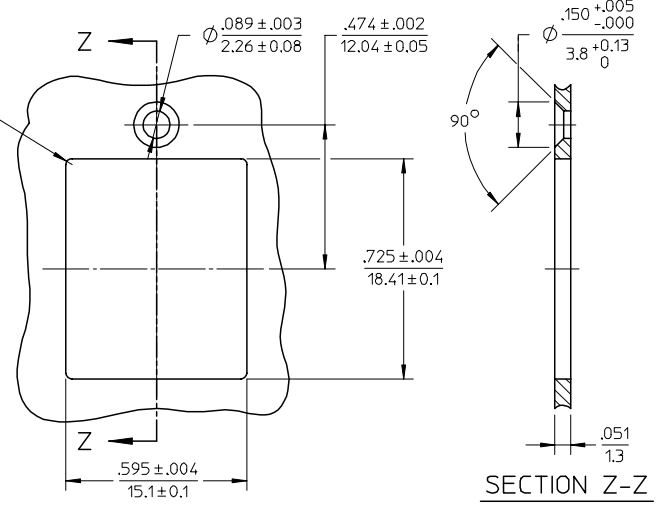
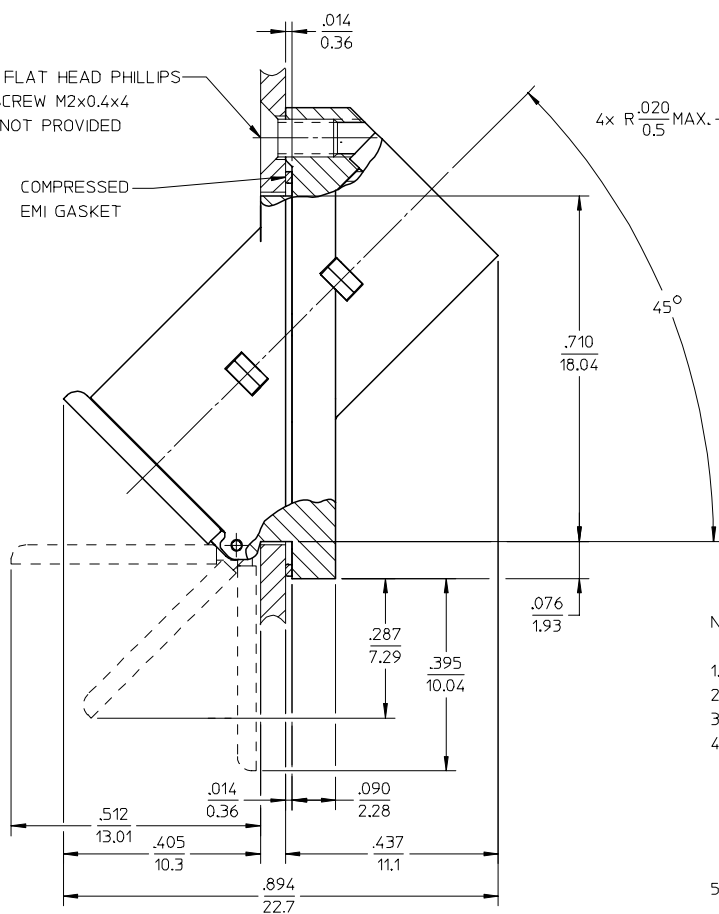
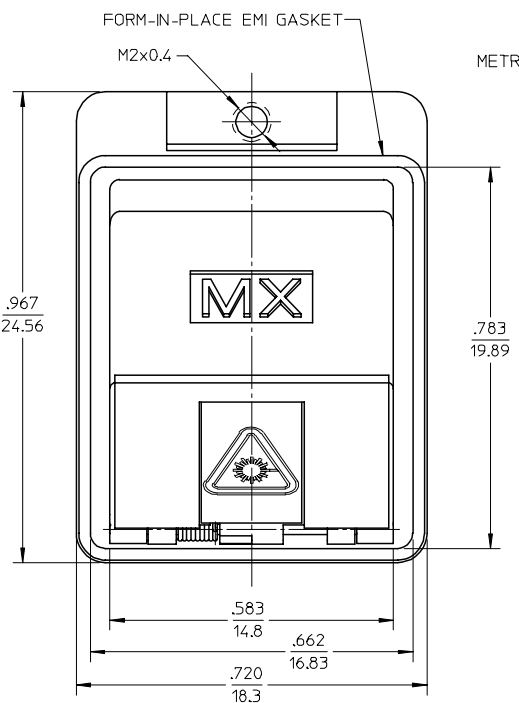
Email & Skype: info@chipsmall.com Web: www.chipsmall.com

Address: A1208, Overseas Decoration Building, #122 Zhenhua RD., Futian, Shenzhen, China



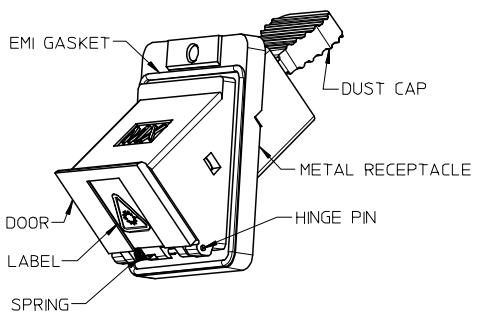
10 9 8 7 6 5 4 3 2 1

PANEL THICKNESS WITH PAINT



RECOMMENDED MOUNTING PATTERN
SCALE 2.5:1

- NOTES:
1. ALL DIMENSIONS ARE IN INCH/MM.
 2. ALL DIMENSIONS ARE FOR REFERENCE.
 3. DUST CAP SHOWN IN ISOMETRIC VIEW ONLY.
 4. MATERIAL AND PLATING:
 - A. METAL RECEPTACLE AND DOOR - ZINC DIE CAST. PLATING - NICKEL.
 - B. TWO PLASTIC INSERTS (NOT SHOWN) - POLYETHER IMIDE (PEI), UL94 V-0.
 - C. EMI GASKET - SILICONE CONDUCTIVE ELASTOMER SNN 45.
 - D. LABEL - POLYESTER (UL 969).
 5. PACKAGING: FOR SHIPMENT OF THIS PRODUCT USE TRAY P/N 86934-1006 (NOT SHOWN).



ISO VIEW
SCALE 2:1

TWO PLASTIC INSERTS NOT SHOWN

ENTER DESCRIPTION EC NO: MF2006-0075 DRWN: YBELENKIY 2005/08/22 CHKD: SM160 2005/08/22 APPR: IMAKHLIN 2005/08/23	QUALITY SYMBOLS ▽=0 ▽=0	GENERAL TOLERANCES (UNLESS SPECIFIED)		DIMENSION STYLE IN/MM		SCALE 4:1	DESIGN UNITS INCH	THIRD ANGLE PROJECTION	
			mm	INCH	DRAWN BY YB	DATE 8.05.05	TITLE MPO EMI REAR MOUNT 45 DEGREE ADAPTER		
		4 PLACES ± ---	± ---	± ---	CHECKED BY SM	DATE 2005/08/05	MATERIAL NO. 1061140100		
		3 PLACES ± ---	± ---	± ---	APPROVED BY IM	DATE 2005/08/05	DOCUMENT NO. SD-106114-0100	SHEET NO. 1 OF 1	
2 PLACES ± ---	± ---	± ---	ANGULAR ± ---°		MATERIAL NO. 1061140100				
1 PLACE ± ---	± ---	± ---	DRAFT WHERE APPLICABLE MUST REMAIN WITHIN DIMENSIONS		THIS DRAWING CONTAINS INFORMATION THAT IS PROPRIETARY TO MOLEX INCORPORATED AND SHOULD NOT BE USED WITHOUT WRITTEN PERMISSION				

9 8 7 6 5 4 3 2 1