



Chipsmall Limited consists of a professional team with an average of over 10 year of expertise in the distribution of electronic components. Based in Hongkong, we have already established firm and mutual-benefit business relationships with customers from,Europe,America and south Asia,supplying obsolete and hard-to-find components to meet their specific needs.

With the principle of “Quality Parts,Customers Priority,Honest Operation,and Considerate Service”,our business mainly focus on the distribution of electronic components. Line cards we deal with include Microchip,ALPS,ROHM,Xilinx,Pulse,ON,Everlight and Freescale. Main products comprise IC,Modules,Potentiometer,IC Socket,Relay,Connector.Our parts cover such applications as commercial,industrial, and automotives areas.

We are looking forward to setting up business relationship with you and hope to provide you with the best service and solution. Let us make a better world for our industry!



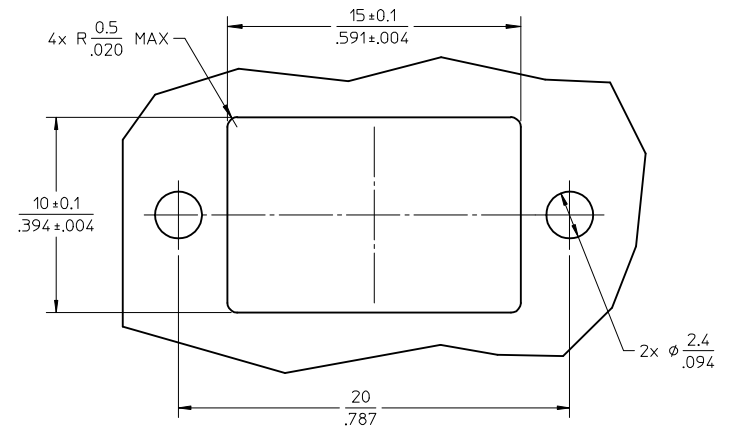
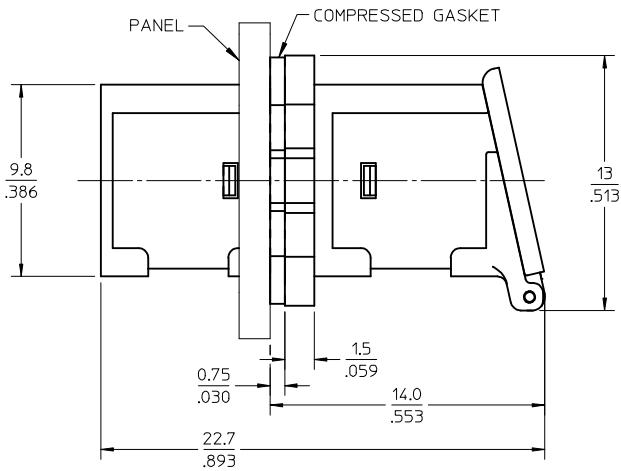
## Contact us

Tel: +86-755-8981 8866 Fax: +86-755-8427 6832

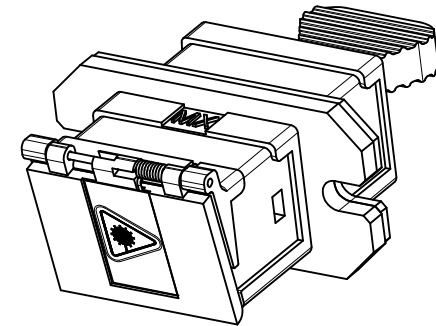
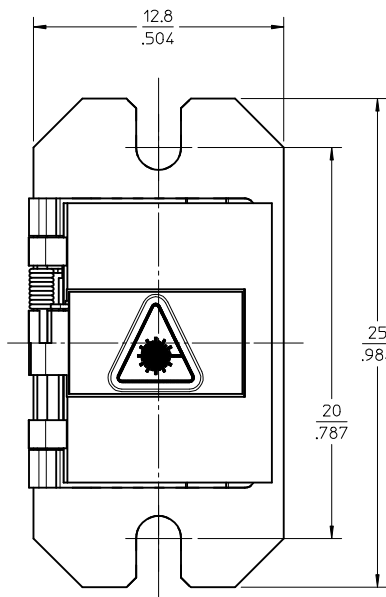
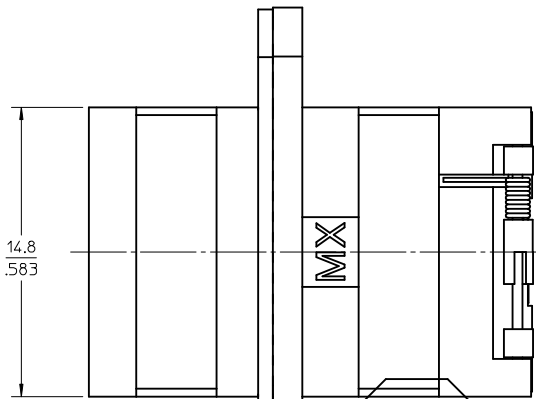
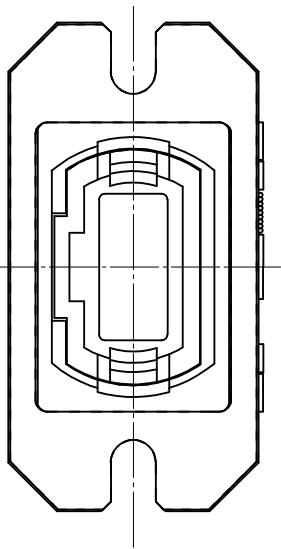
Email & Skype: info@chipsmall.com Web: www.chipsmall.com

Address: A1208, Overseas Decoration Building, #122 Zhenhua RD., Futian, Shenzhen, China





RECOMMENDED MOUNTING PATTERN



NOTES:

1. SILICONE GASKET WITH Ag/AI FILLER (SHOWN COMPRESSED) IS SUPPLIED WITH THE PART.
2. OUTER SHELL OF PART IS DIECAST.
3. DUST CAP SHOWN ONLY IN ISOMETRIC VIEW.
4. ADAPTERS TO BE PACKAGED IN TRAY.

ENTER DESCRIPTION	QUALITY SYMBOLS
EC NO: MF2010-0005	▽=0
DRW: DRWAHKEVZNER	▽=0
CHKD: 2009/07/17	
APPR: LGUMIN	
DATE: 2009/07/22	
DATE: 2009/07/23	
REV: A1	

GENERAL TOLERANCES (UNLESS SPECIFIED)	
mm	INCH
4 PLACES ± ---	± ---
3 PLACES ± ---	± ---
2 PLACES ± 0.10	± ---
1 PLACE ± 0.10	± ---
ANGULAR ± 1/2°	
DRAFT WHERE APPLICABLE MUST REMAIN WITHIN DIMENSIONS	

DIMENSION STYLE	
IN/MM	
DRAWN BY	DATE
PGIBLIN	2005/11/17
CHECKED BY	DATE
APPROVED BY	DATE

SCALE	DESIGN UNITS	THIRD ANGLE PROJECTION
4:1	INCH	☉
TITLE		
MPO EMI ADAPTER, FLANGE FLANGE		
MOLEX MOLEX INCORPORATED		SHEET NO.
MATERIAL NO. 1061141100		1 OF 1
DOCUMENT NO. SD-106114-1100		
THIS DRAWING CONTAINS INFORMATION THAT IS PROPRIETARY TO MOLEX INCORPORATED AND SHOULD NOT BE USED WITHOUT WRITTEN PERMISSION		