



Chipsmall Limited consists of a professional team with an average of over 10 year of expertise in the distribution of electronic components. Based in Hongkong, we have already established firm and mutual-benefit business relationships with customers from,Europe,America and south Asia,supplying obsolete and hard-to-find components to meet their specific needs.

With the principle of “Quality Parts,Customers Priority,Honest Operation,and Considerate Service”,our business mainly focus on the distribution of electronic components. Line cards we deal with include Microchip,ALPS,ROHM,Xilinx,Pulse,ON,Everlight and Freescale. Main products comprise IC,Modules,Potentiometer,IC Socket,Relay,Connector.Our parts cover such applications as commercial,industrial, and automotives areas.

We are looking forward to setting up business relationship with you and hope to provide you with the best service and solution. Let us make a better world for our industry!



Contact us

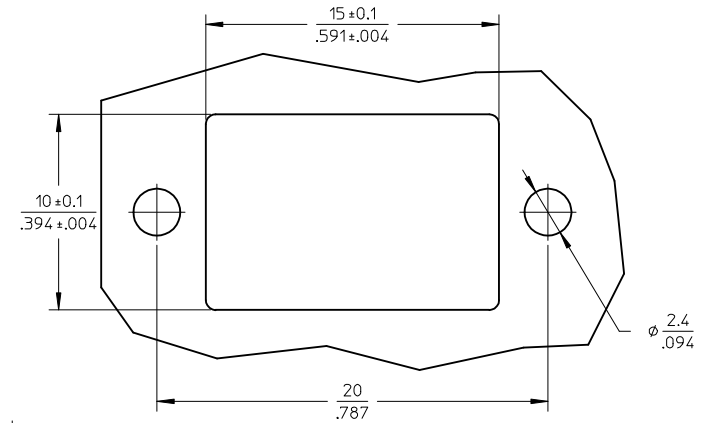
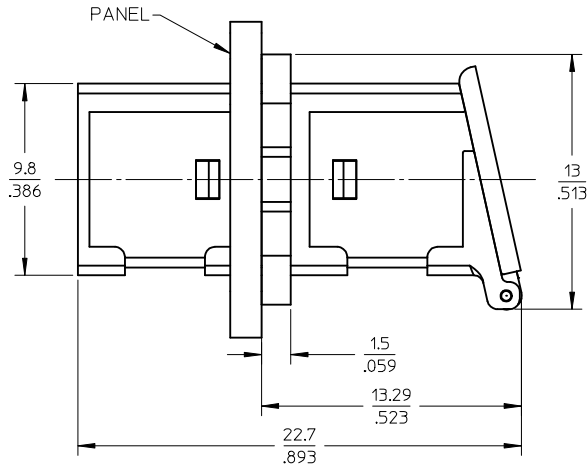
Tel: +86-755-8981 8866 Fax: +86-755-8427 6832

Email & Skype: info@chipsmall.com Web: www.chipsmall.com

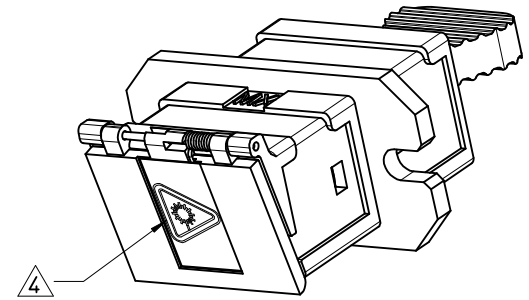
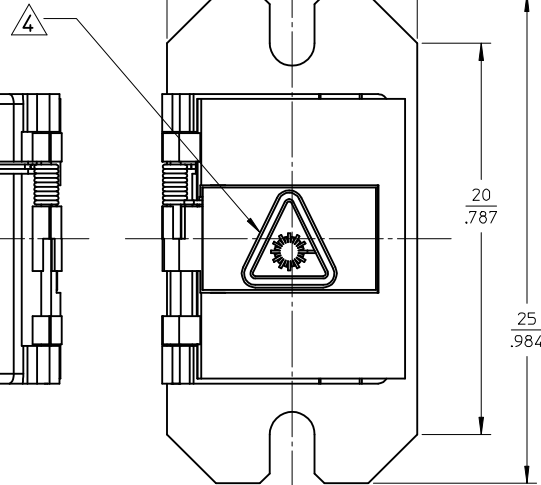
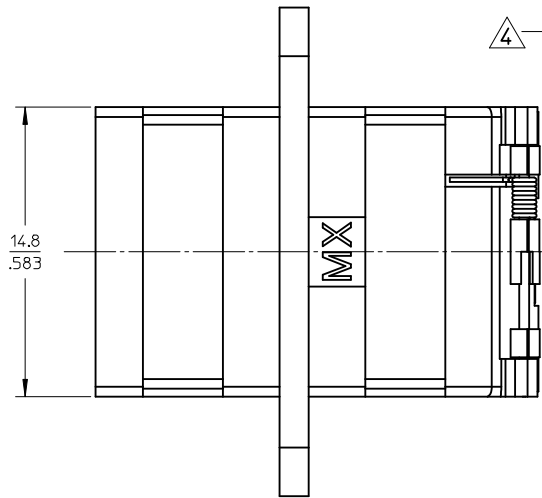
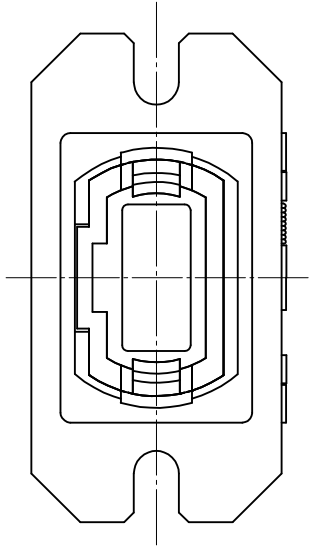
Address: A1208, Overseas Decoration Building, #122 Zhenhua RD., Futian, Shenzhen, China



10	9	PART #	LASER WARNING LABEL
106114-1110		INSTALLED ON ADAPTER	
106114-1120		INCLUDED WITH PACKAGING	



RECOMENDED MOUNTING PATTERN



SCALE 2:1

NOTES:

1. DUST CAP SHOWN ONLY IN ISOMETRIC VIEW.
2. ADAPTERS TO BE PACKED IN TRAY.
3. OUTER SHELL OF PART IS DIECAST.
4. LASER WARNING LABEL IS INSTALLED ON ADAPTER P/N 106114-1110. LASER WARNING LABEL IS SUPPLIED WITH ADAPTER P/N 106114-1120, TO BE INSTALLED BY CUSTOMER.

ENTER DESCRIPTION EC NO: MF2015-0096 DRAWN: YBEDNYAK 2014/08/20 CHKD: APPR: IGUMIN 2014/08/22 REV DESCRIPTION	QUALITY SYMBOLS = 0 = 0	GENERAL TOLERANCES (UNLESS SPECIFIED) <table border="1"> <tr> <th></th> <th>mm</th> <th>INCH</th> </tr> <tr> <td>4 PLACES</td> <td>± ---</td> <td>± ---</td> </tr> <tr> <td>3 PLACES</td> <td>± ---</td> <td>± ---</td> </tr> <tr> <td>2 PLACES</td> <td>± 0.10</td> <td>± ---</td> </tr> <tr> <td>1 PLACE</td> <td>± 0.10</td> <td>± ---</td> </tr> <tr> <td colspan="3">ANGULAR ± 1/2°</td> </tr> </table>		mm	INCH	4 PLACES	± ---	± ---	3 PLACES	± ---	± ---	2 PLACES	± 0.10	± ---	1 PLACE	± 0.10	± ---	ANGULAR ± 1/2°			DIMENSION STYLE MM/IN DRAWN BY DATE JSZEWczyk 2009/06/09 CHECKED BY DATE	SCALE 4:1 DESIGN UNITS METRIC THIRD ANGLE PROJECTION
		mm	INCH																			
	4 PLACES	± ---	± ---																			
	3 PLACES	± ---	± ---																			
2 PLACES	± 0.10	± ---																				
1 PLACE	± 0.10	± ---																				
ANGULAR ± 1/2°																						
DRAFT WHERE APPLICABLE MUST REMAIN WITHIN DIMENSIONS		APPROVED BY DATE IGUMIN 2010/02/09 MATERIAL NO. 1061141110	TITLE MPO EMI ADAPTER, FLANGE, NO EMI GASKET MOLEX INCORPORATED																			
		DOCUMENT NO. SD-106114-1110	SHEET NO. 1 OF 1																			
		THIS DRAWING CONTAINS INFORMATION THAT IS PROPRIETARY TO MOLEX INCORPORATED AND SHOULD NOT BE USED WITHOUT WRITTEN PERMISSION																				