



Chipsmall Limited consists of a professional team with an average of over 10 year of expertise in the distribution of electronic components. Based in Hongkong, we have already established firm and mutual-benefit business relationships with customers from,Europe,America and south Asia,supplying obsolete and hard-to-find components to meet their specific needs.

With the principle of "Quality Parts,Customers Priority,Honest Operation,and Considerate Service",our business mainly focus on the distribution of electronic components. Line cards we deal with include Microchip,ALPS,ROHM,Xilinx,Pulse,ON,Everlight and Freescale. Main products comprise IC,Modules,Potentiometer,IC Socket,Relay,Connector.Our parts cover such applications as commercial,industrial, and automotives areas.

We are looking forward to setting up business relationship with you and hope to provide you with the best service and solution. Let us make a better world for our industry!



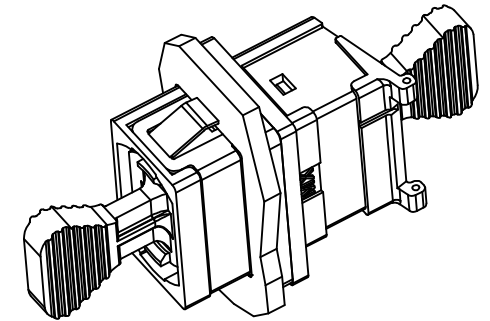
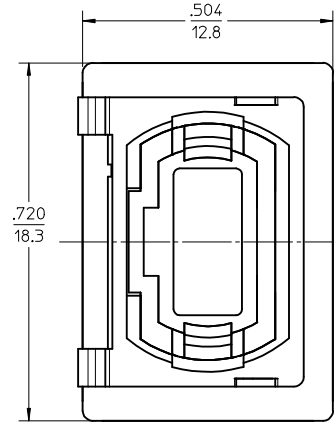
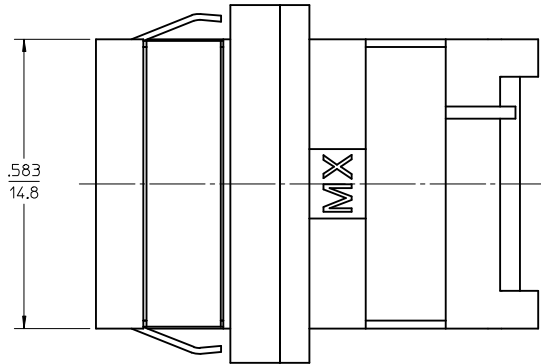
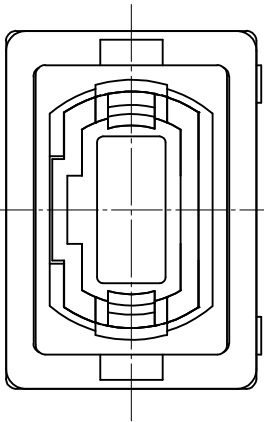
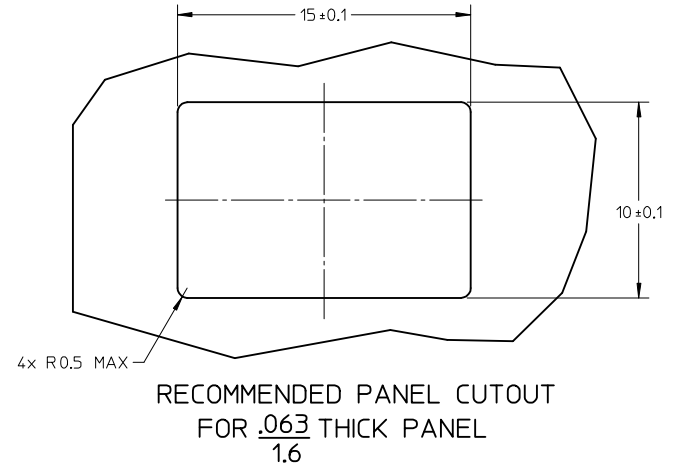
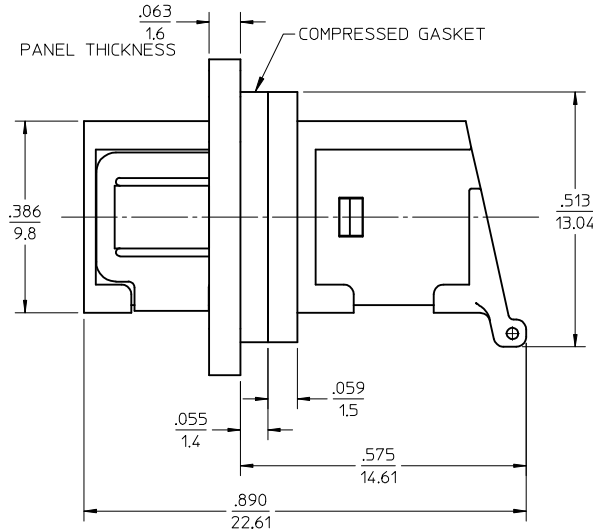
Contact us

Tel: +86-755-8981 8866 Fax: +86-755-8427 6832

Email & Skype: info@chipsmall.com Web: www.chipsmall.com

Address: A1208, Overseas Decoration Building, #122 Zhenhua RD., Futian, Shenzhen, China





- NOTES:
1. CONDUCTIVE FABRIC OVER FOAM GASKET (SHOWN COMPRESSED) IS SUPPLIED WITH THE PART.
 2. OUTER SHELL OF PART IS DIECAST.
 3. DUST CAP SHOWN ONLY IN ISOMETRIC VIEW.
 4. ADAPTERS TO BE PACKAGED IN TRAY.

ENTER DESCRIPTION EC NO: MF2015-0263 DRWN: IGUMIN 2014/11/03 CHKD: IGUMIN APPR: IGUMIN 2014/11/14 B	QUALITY SYMBOLS ▽=0 ▽=0	GENERAL TOLERANCES (UNLESS SPECIFIED) mm INCH 4 PLACES ± --- ± --- 3 PLACES ± --- ± --- 2 PLACES ± 0.10 ± --- 1 PLACE ± 0.10 ± --- ANGULAR ±1/2°	DIMENSION STYLE IN/MM DRAWN BY DATE MAGHAYERE 2014/01/28 CHECKED BY DATE	SCALE 4:1 DESIGN UNITS INCH	THIRD ANGLE PROJECTION
	DRAFT WHERE APPLICABLE MUST REMAIN WITHIN DIMENSIONS		APPROVED BY DATE IGUMIN 2014/02/05	TITLE MPO EMI ADAPTER, SMALL FLANGE NO SHUTTER	
	MATERIAL NO. 1061141204		DOCUMENT NO. SD-106114-1204		SHEET NO. 1 OF 1
	THIS DRAWING CONTAINS INFORMATION THAT IS PROPRIETARY TO MOLEX INCORPORATED AND SHOULD NOT BE USED WITHOUT WRITTEN PERMISSION				