



Chipsmall Limited consists of a professional team with an average of over 10 year of expertise in the distribution of electronic components. Based in Hongkong, we have already established firm and mutual-benefit business relationships with customers from,Europe,America and south Asia,supplying obsolete and hard-to-find components to meet their specific needs.

With the principle of “Quality Parts,Customers Priority,Honest Operation,and Considerate Service”,our business mainly focus on the distribution of electronic components. Line cards we deal with include Microchip,ALPS,ROHM,Xilinx,Pulse,ON,Everlight and Freescale. Main products comprise IC,Modules,Potentiometer,IC Socket,Relay,Connector.Our parts cover such applications as commercial,industrial, and automotives areas.

We are looking forward to setting up business relationship with you and hope to provide you with the best service and solution. Let us make a better world for our industry!



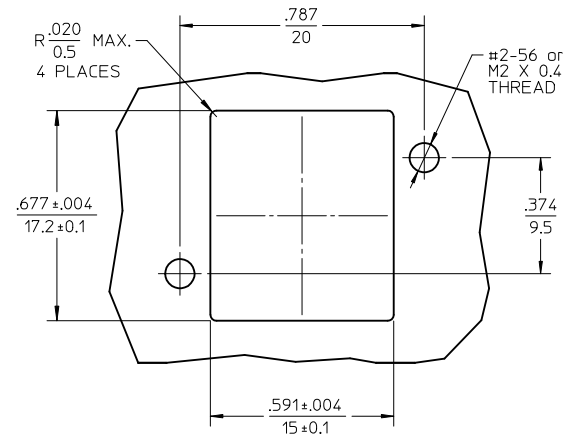
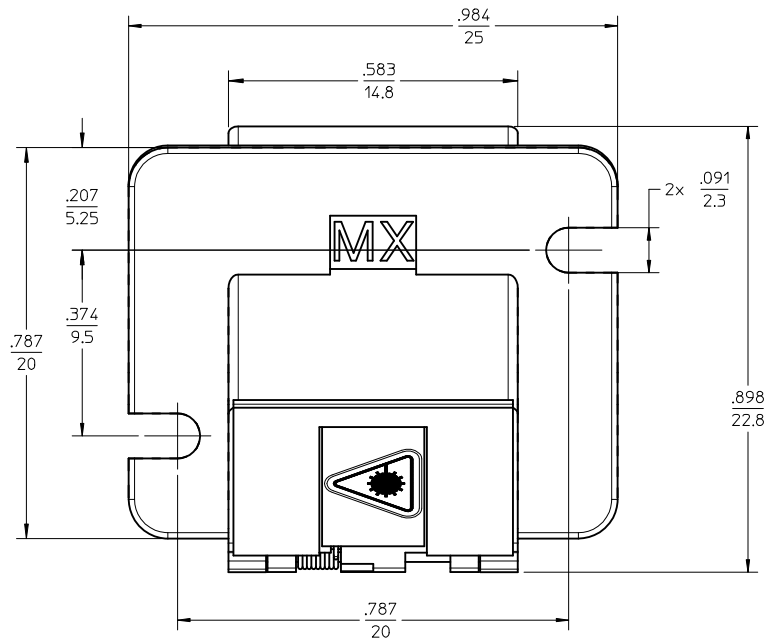
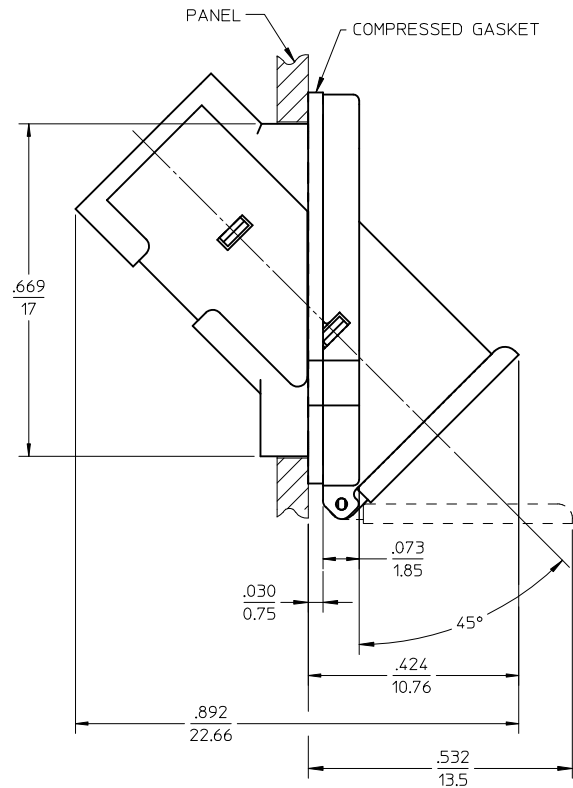
Contact us

Tel: +86-755-8981 8866 Fax: +86-755-8427 6832

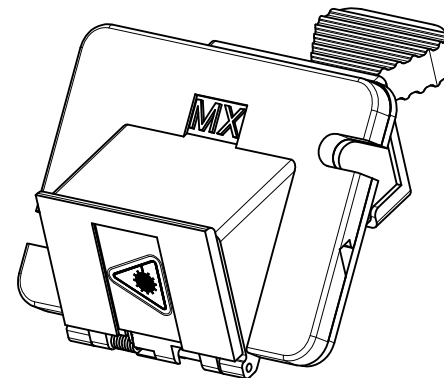
Email & Skype: info@chipsmall.com Web: www.chipsmall.com

Address: A1208, Overseas Decoration Building, #122 Zhenhua RD., Futian, Shenzhen, China





RECOMMENDED MOUNTING PATTERN
SCALE 2.5:1



NOTES:

1. DIMENSIONS SHOWN ARE FOR REFERENCE ONLY.
2. SILICONE GASKET WITH Ag/AI FILLER (SHOWN COMPRESSED) IS SUPPLIED WITH THE PART.
3. OUTER PARTS ARE DIECAST.
4. DUST CAP SHOWN IN ISOMETRIC VIEW ONLY.
5. ADAPTRS TO BE PACKAGED IN TRAY.

ENTER DESCRIPTION EC NO: MF2011-0169 DR/MAK/REVZNER CHKD: APPR:WCHEN	2010/10/15 2010/10/19	QUALITY SYMBOLS ▽=0 ▽=0	GENERAL TOLERANCES (UNLESS SPECIFIED)		DIMENSION STYLE		SCALE	DESIGN UNITS	THIRD ANGLE PROJECTION	
					IN/MM		4:1	INCH		
			mm	INCH	DRAWN BY	DATE	TITLE			
			4 PLACES ± --- ± ---	3 PLACES ± --- ± ---	PGIBLIN	2005/11/17	MPO EMI ADAPTER 45 DEGREE 45 DEGREE (SCREW MOUNT)			
2 PLACES ± --- ± ---	1 PLACE ± --- ± ---	CHECKED BY	DATE	APPROVED BY		DATE	MOLEX MOLEX INCORPORATED			
ANGULAR ±1/2°		WCHEN	2010/10/19	MATERIAL NO.		DOCUMENT NO.	SHEET NO.			
DRAFT WHERE APPLICABLE MUST REMAIN WITHIN DIMENSIONS				1061143000		SD-106114-3000	1 OF 1			
				SIZE B		THIS DRAWING CONTAINS INFORMATION THAT IS PROPRIETARY TO MOLEX INCORPORATED AND SHOULD NOT BE USED WITHOUT WRITTEN PERMISSION				