



Chipsmall Limited consists of a professional team with an average of over 10 year of expertise in the distribution of electronic components. Based in Hongkong, we have already established firm and mutual-benefit business relationships with customers from,Europe,America and south Asia,supplying obsolete and hard-to-find components to meet their specific needs.

With the principle of “Quality Parts,Customers Priority,Honest Operation,and Considerate Service”,our business mainly focus on the distribution of electronic components. Line cards we deal with include Microchip,ALPS,ROHM,Xilinx,Pulse,ON,Everlight and Freescale. Main products comprise IC,Modules,Potentiometer,IC Socket,Relay,Connector.Our parts cover such applications as commercial,industrial, and automotives areas.

We are looking forward to setting up business relationship with you and hope to provide you with the best service and solution. Let us make a better world for our industry!



## Contact us

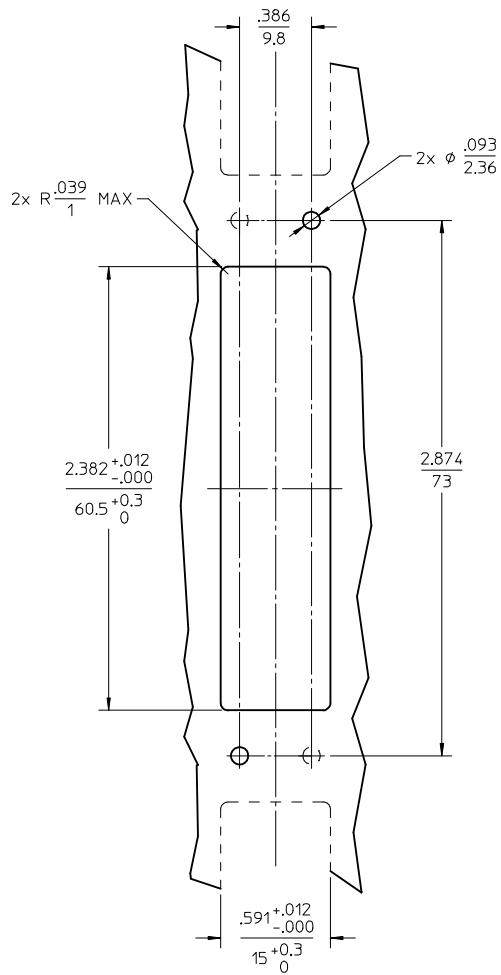
Tel: +86-755-8981 8866 Fax: +86-755-8427 6832

Email & Skype: info@chipsmall.com Web: www.chipsmall.com

Address: A1208, Overseas Decoration Building, #122 Zhenhua RD., Futian, Shenzhen, China



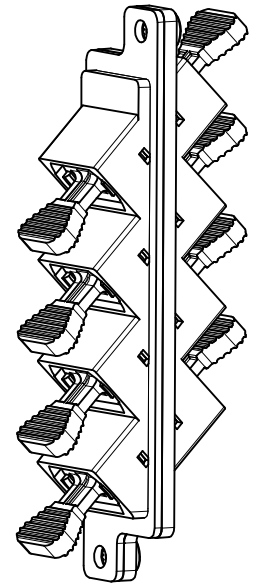
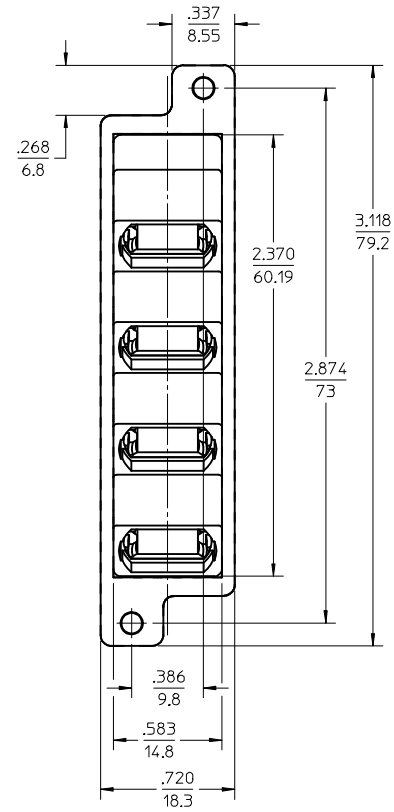
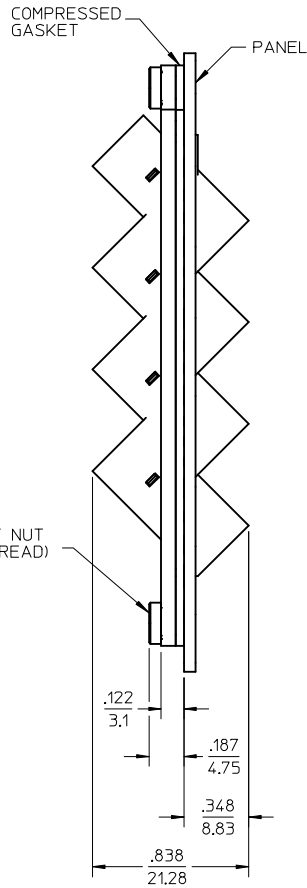
10 9 8 7 6 5 4 3 2 1



PANEL CUTOUT

NOTES:

- PART IS SUPPLIED WITH PRESS FIT NUT (#2-56 THREADS) AND SILICONE GASKET WITH CONDUCTIVE FILLER (SHOWN COMPRESSED).
- OUTER SHELL OF PART IS DIECAST.
- DUST CAPS SHOWN IN ISOMETRIC VIEW ONLY.



<b>ENTER DESCRIPTION</b> EC NO: MF2013-0264 2012/11/06 DRW: KPEVZNER CHKD: APPR: IGUMIN 2012/11/09 A1	QUALITY SYMBOLS F/0 F/0 F/0	GENERAL TOLERANCES (UNLESS SPECIFIED) mm INCH 4 PLACES ± --- ± --- 3 PLACES ± --- ± --- 2 PLACES ± 0.10 ± --- 1 PLACE ± 0.10 ± --- 0 PLACE ± ±	DIMENSION STYLE INCH ONLY DRAWN BY DATE PGIBLIN 2005/11/17 CHECKED BY DATE APPROVED BY DATE	SCALE 1.5:1 DESIGN UNITS INCH THIRD ANGLE PROJECTION	TITLE MPO EMI ADAPTER QUAD, 45 DEGREE
	ANGULAR ±1/2° DRAFT WHERE APPLICABLE MUST REMAIN WITHIN DIMENSIONS		MATERIAL NO. 1061143200	DOCUMENT NO. SD-106114-3200	SHEET NO. 1 OF 1
	THIS DRAWING CONTAINS INFORMATION THAT IS PROPRIETARY TO MOLEX INCORPORATED AND SHOULD NOT BE USED WITHOUT WRITTEN PERMISSION				
	molar				

9 8 7 6 5 4 3 2 1