



Chipsmall Limited consists of a professional team with an average of over 10 year of expertise in the distribution of electronic components. Based in Hongkong, we have already established firm and mutual-benefit business relationships with customers from,Europe,America and south Asia,supplying obsolete and hard-to-find components to meet their specific needs.

With the principle of “Quality Parts,Customers Priority,Honest Operation,and Considerate Service”,our business mainly focus on the distribution of electronic components. Line cards we deal with include Microchip,ALPS,ROHM,Xilinx,Pulse,ON,Everlight and Freescale. Main products comprise IC,Modules,Potentiometer,IC Socket,Relay,Connector.Our parts cover such applications as commercial,industrial, and automotives areas.

We are looking forward to setting up business relationship with you and hope to provide you with the best service and solution. Let us make a better world for our industry!



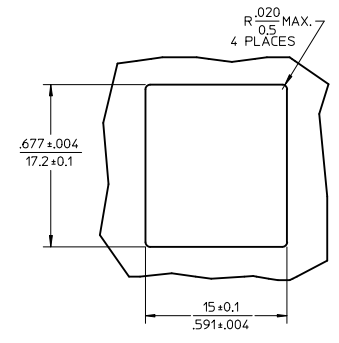
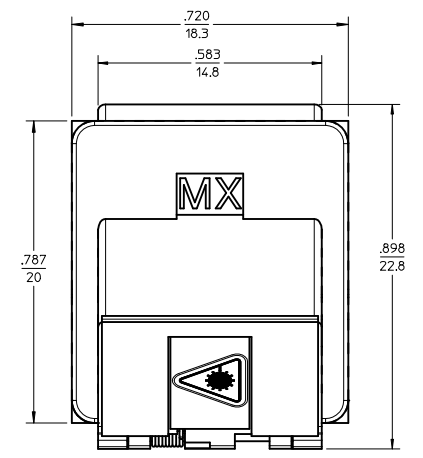
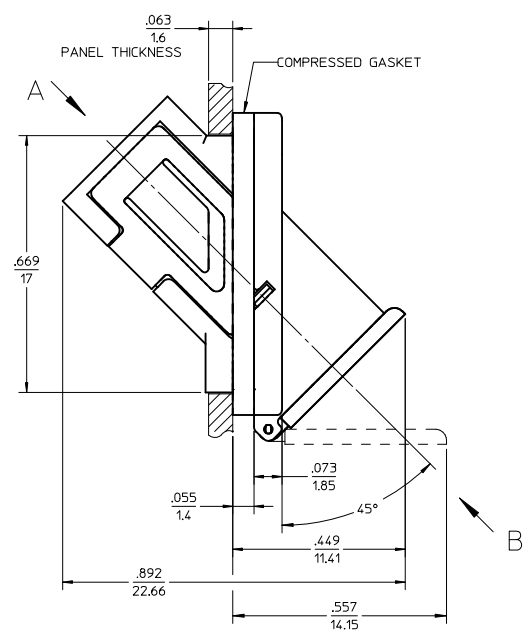
## Contact us

Tel: +86-755-8981 8866 Fax: +86-755-8427 6832

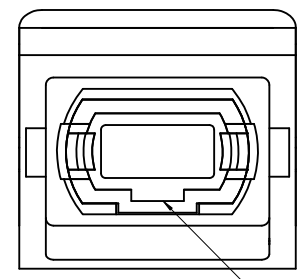
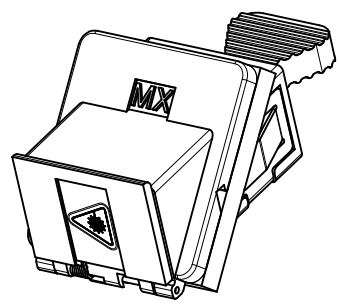
Email & Skype: info@chipsmall.com Web: www.chipsmall.com

Address: A1208, Overseas Decoration Building, #122 Zhenhua RD., Futian, Shenzhen, China

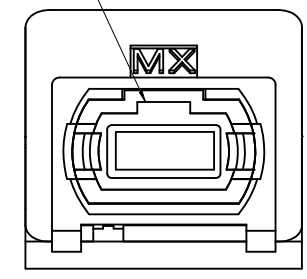




RECOMMENDED MOUNTING PATTERN  
SCALE 2.5:1  
FOR .063 THICK PANEL  
1.6



VIEW A  
(DUST CAP NOT SHOWN)



VIEW B  
(SHUTTER NOT SHOWN)

NOTES:

1. DIMENSIONS SHOWN ARE FOR REFERENCE ONLY.
2. CONDUCTIVE FABRIC OVER FOAM GASKET (SHOWN COMPRESSED) IS SUPPLIED WITH THE PART.
3. OUTER PARTS ARE DIECAST.
4. DUST CAP SHOWN IN ISOMETRIC VIEW ONLY.
5. ADAPTERS TO BE PACKAGED IN TRAY.

ENTER DESCRIPTION IEC NO: MF2010-0240 DRW:KPEVZNER CHKD: APPR: GUMIN 2009/12/04 2009/12/07	QUALITY SYMBOLS ▽=0 ▽=0	GENERAL TOLERANCES (UNLESS SPECIFIED)		DIMENSION STYLE IN/MM		SCALE 4:1	DESIGN UNITS METRIC	THIRD ANGLE PROJECTION			
		4 PLACES ± --- ± ---	3 PLACES ± --- ± ---	2 PLACES ± --- ± ---	1 PLACE ± --- ± ---	DRAWN BY PGIBLIN	DATE 2005/11/18	TITLE MPO EMI ADAPTER 45 DEGRE 45 DEGREE (SNAP MOUNT)			
		ANGULAR ±1/2°				APPROVED BY		DATE	MOLEX INCORPORATED		
		DRAFT WHERE APPLICABLE MUST REMAIN WITHIN DIMENSIONS				MATERIAL NO. 1061144000		DOCUMENT NO. SD-106114-4000	SHEET NO. 1 OF 1		
REV A3		THIS DRAWING CONTAINS INFORMATION THAT IS PROPRIETARY TO MOLEX INCORPORATED AND SHOULD NOT BE USED WITHOUT WRITTEN PERMISSION									